

RF05257

Rosy Angelis Diffuser ring nut



WARNING! When installing and whenever acting on the appliance, ensure that the power supply has been switched off.
For the installation of the spare-part, it is necessary to consult a qualified electrician.

RF05257

Rosy Angelis Diffuser ring nut

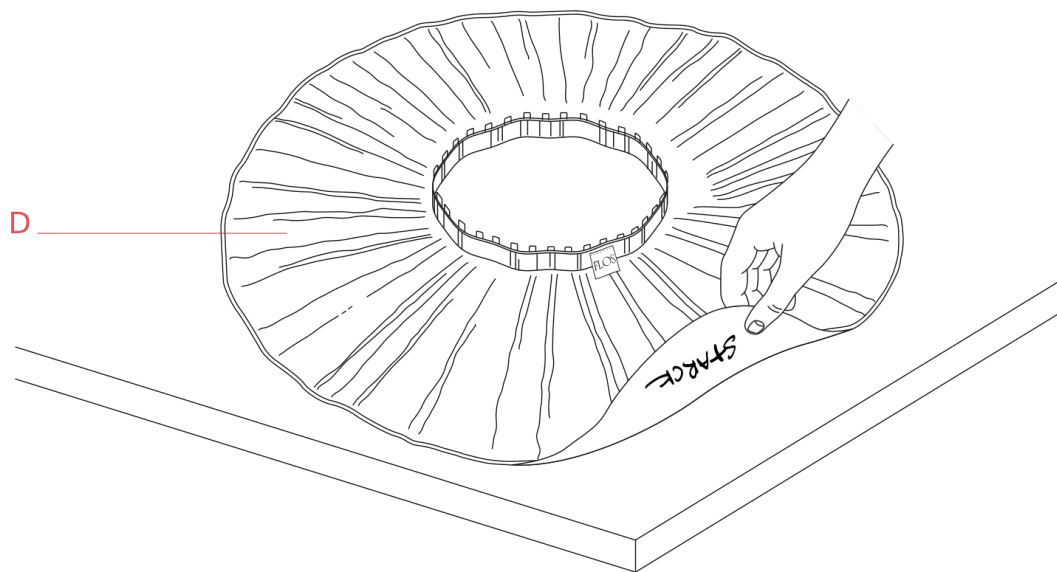


Fig.1

It is recommended to perform the following operation with clean hands.
Lay out the diffuser fabric sheet (D) on a flat surface, ensuring that the stitchings are positioned upwards and the STARCK embroidery is positioned downwards.

WARNING! When installing and whenever acting on the appliance, ensure that the power supply has been switched off.
For the installation of the spare-part, it is necessary to consult a qualified electrician.

RF05257

Rosy Angelis Diffuser ring nut

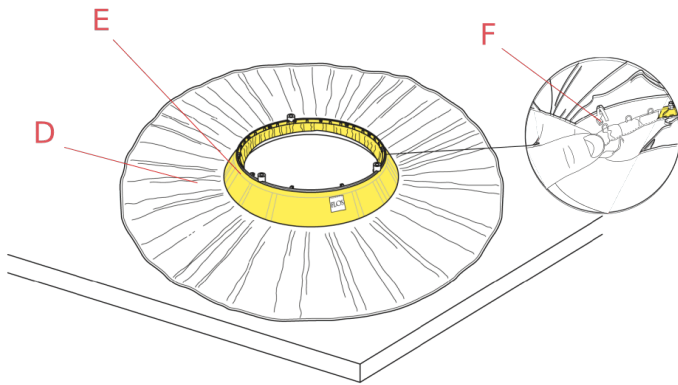


Fig.2

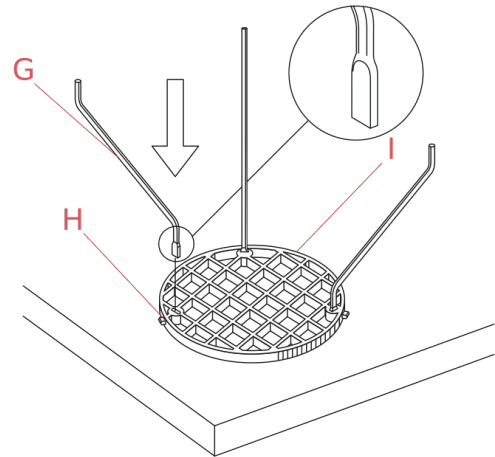


Fig.3

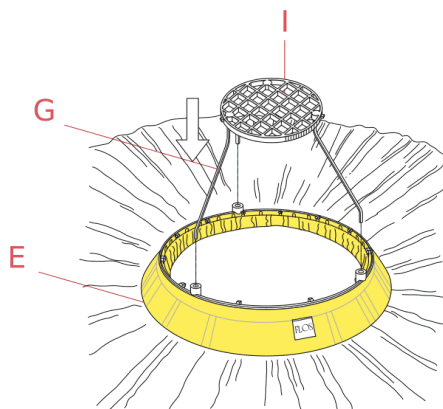


Fig.4

Rest the transparent support ring (E) on the diffuser fabric sheet (D) and then hook the rings (F) utilizing the appropriate clips as in the figure (Fig.2)

Insert the supports (G) in the housings (H) of the protection grid (I), ensuring that they are inserted inside properly. (Fig.3)

Insert the supports (G) and the protection grid (I) in the transparent ring (E). (Fig.4)

WARNING! When installing and whenever acting on the appliance, ensure that the power supply has been switched off. For the installation of the spare-part, it is necessary to consult a qualified electrician.

RF05257

Rosy Angelis Diffuser ring nut

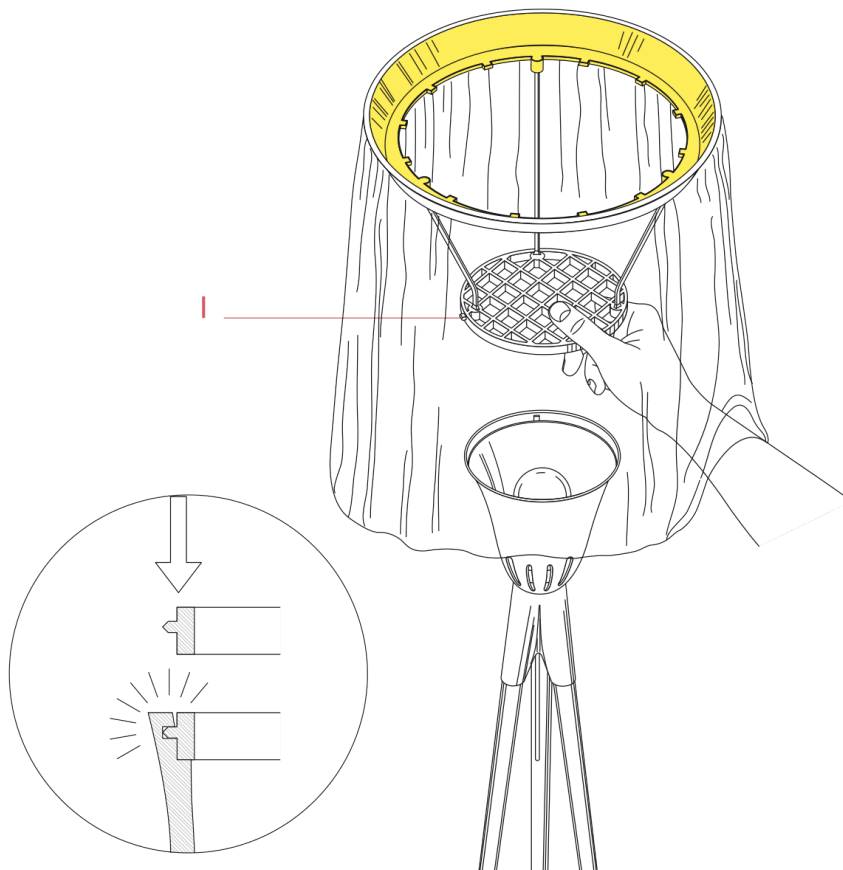


Fig.5

Insert the ring nut (I) and the fabric sheet (D) in the plastic diffuser housings (L) until they click into place as indicated in the figure.

REMARKS! For a correct installation, align the three supports with the plastic internal diffuser.

WARNING! When installing and whenever acting on the appliance, ensure that the power supply has been switched off.
For the installation of the spare-part, it is necessary to consult a qualified electrician.