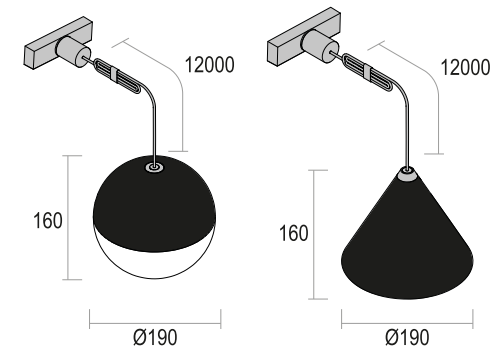


TECHNICAL DATA

DATOS TÉCNICOS / DATI TECNICI / TECHNISCHE DATEN / DONNEES
 TECHNIQUES / DADOS TÉCNICOS / テクニカルデータ / 技术数据 /
 TECHNIQUES / DADOS TÉCNICOS / テクニカルデータ / 技术数据 /
 ТЕХНИЧЕСКИЕ ДАННЫЕ / ТЕХНИКАЛЫҚ МӘЛІМЕТТЕР / بيانات تقنية

STRING LIGHTS



SPHERE AND CONE

CONE RM 03.6297-98.14	POWER LED	2700K	CRI90	17,4W
CONE RM DALI 03.6297-98.14.DA/CB	POWER LED	2700K	CRI90	17,4W
SPHERE RM 03.6295-96.14	POWER LED	2700K	CRI90	17,4W
SPHERE RM DALI 03.6295-96.14.DA/CB	POWER LED	2700K	CRI90	17,4W

! NO DALI VERSION

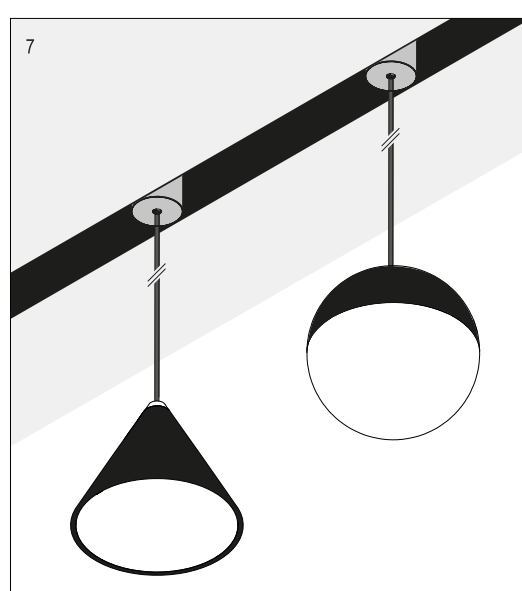
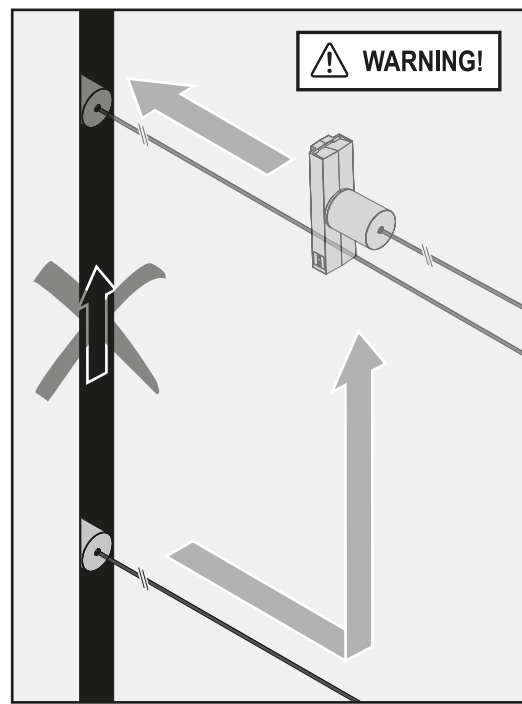
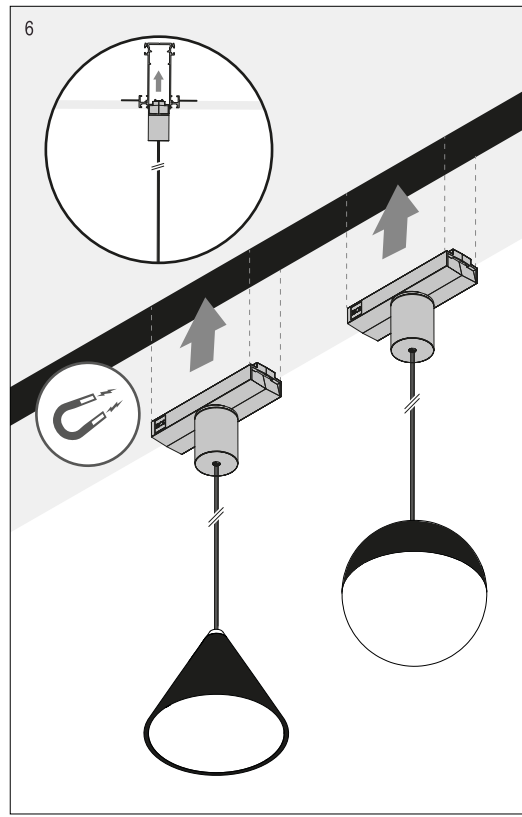
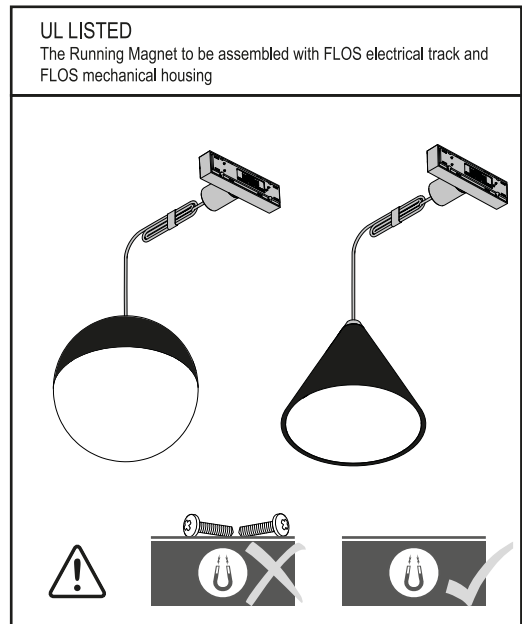
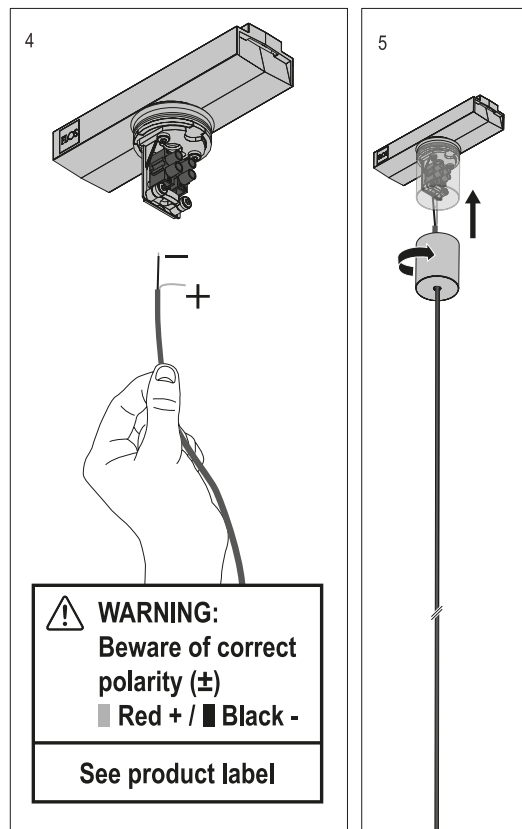
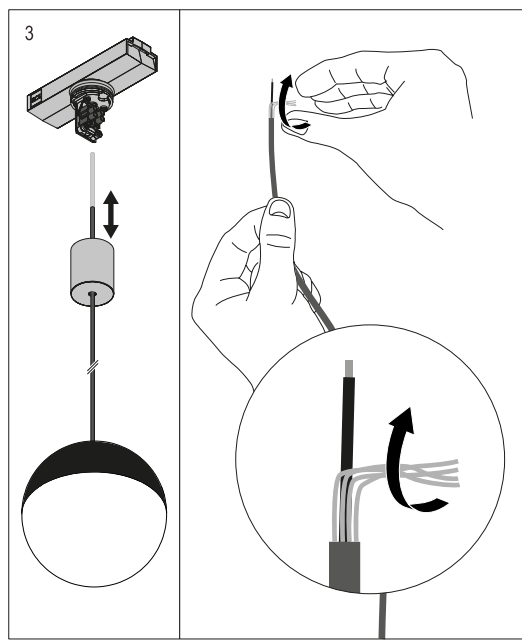
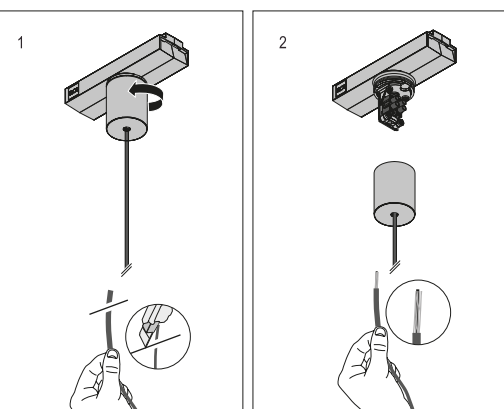
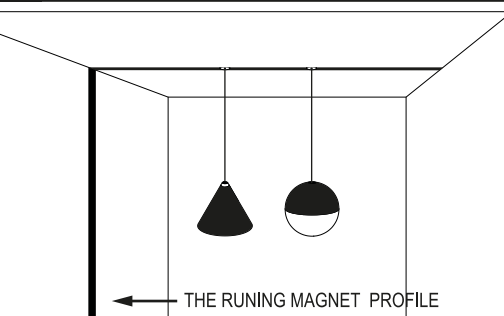
- MAX 9 String light each profile using a 185W driver.

! WARNING Only use with the electrical supply track system:
 "The Running Magnet System"

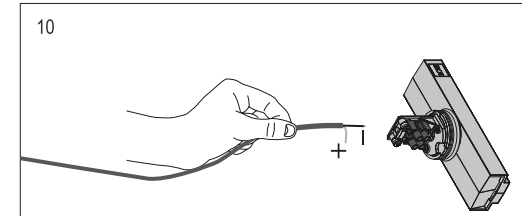
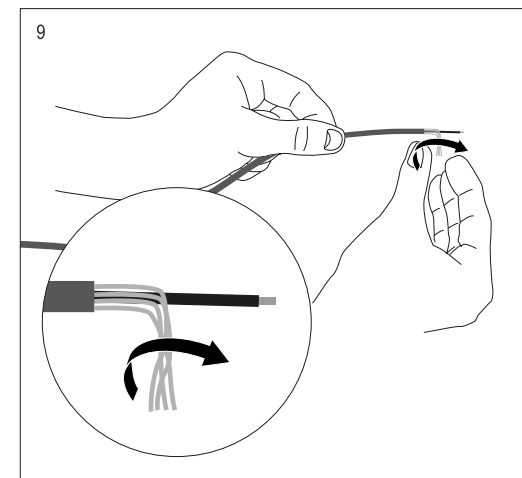
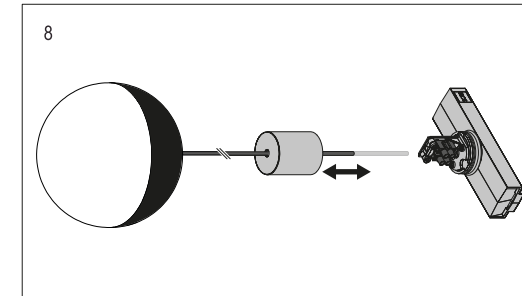
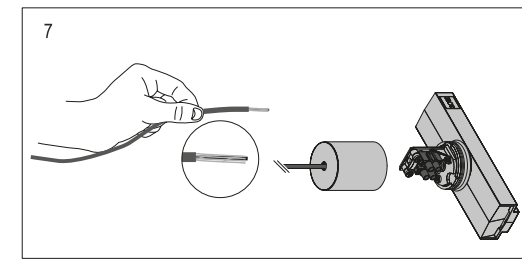
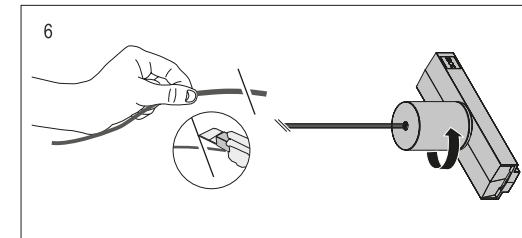
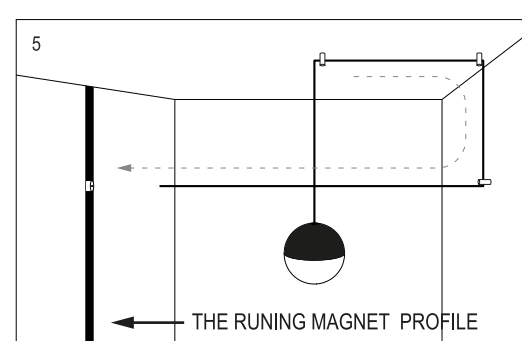
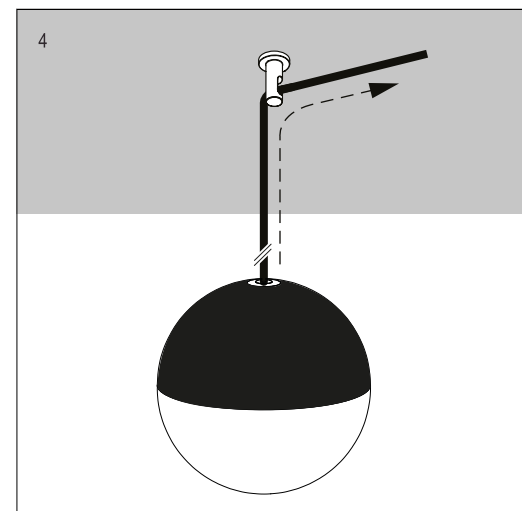
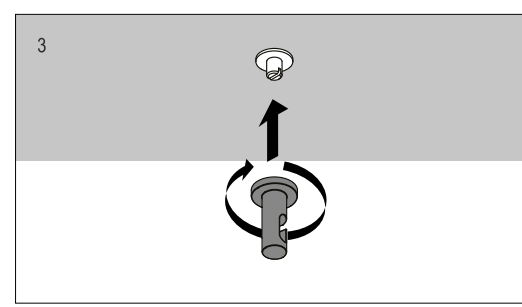
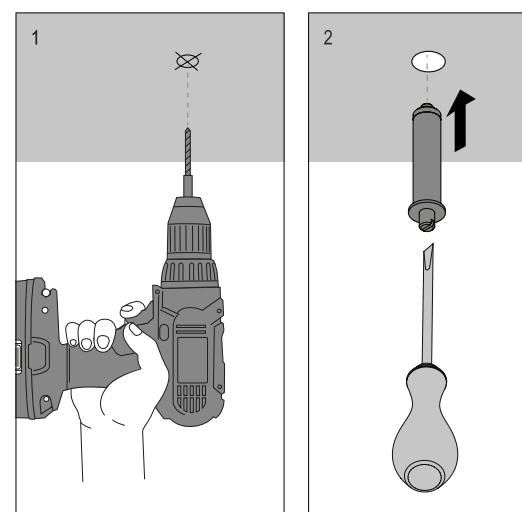
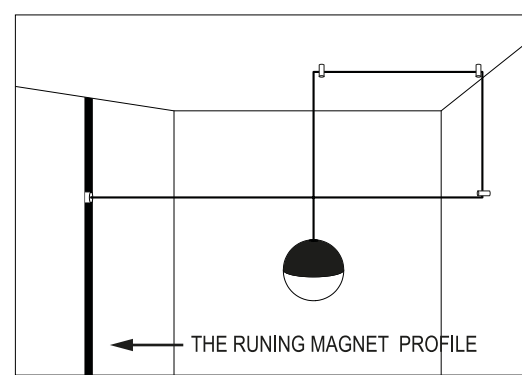
A LUMINAIRE INSTALLATION

INSTALACIÓN DE LA LUMINARIA / INSTALLAZIONE DELLA LAMPADA /
 INSTALLATION DER BELEUCHTUNG / INSTALLATION DU LUMINAIRE /
 INSTALAÇÃO DO APARELHO DE ILUMINAÇÃO / 照明器具の設置・据付け /
 灯具的安装 / МОНТАЖ ОСВЕТИТЕЛЬНОГО ПРИБОРА /
 ШАМДАЛДЫ ОРНАТҮ / تركيب وحدة الإنارة

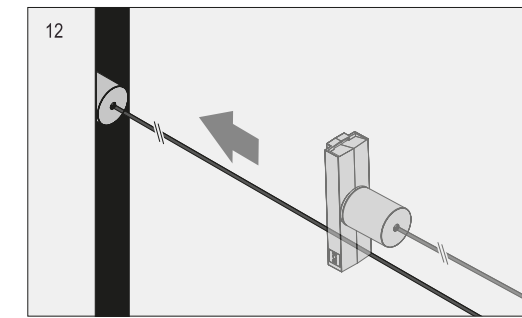
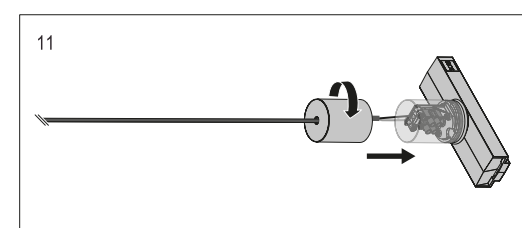
A.1 OPTION ONE



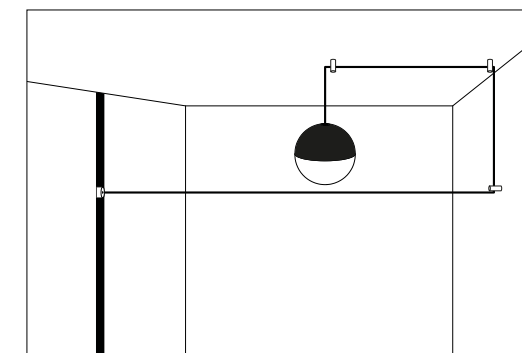
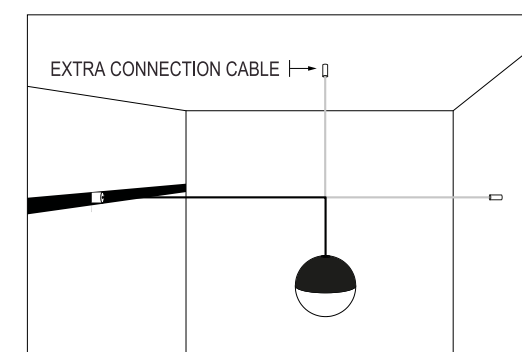
A.2 OPTION TWO



! WARNING: Beware of correct polarity (±) Red + / Black - See product label



B EXAMPLES



! CASAMBI VERSION

- The CASAMBI control will be 1% to 100%
- MAX. 200 luminaires for a single CASAMBI network.
- MAX. 15 meters between luminaires if the environment is an open space (no wall in between luminaires)
- To know more about all CASAMBI options visit www.casambi.com