

RF6256001

S1 ceiling rose assembly



WARNING! When installing and whenever acting on the appliance, ensure that the power supply has been switched off.
For the installation of the spare-part, it is necessary to consult a qualified electrician.

RF6256001

S1 ceiling rose assembly

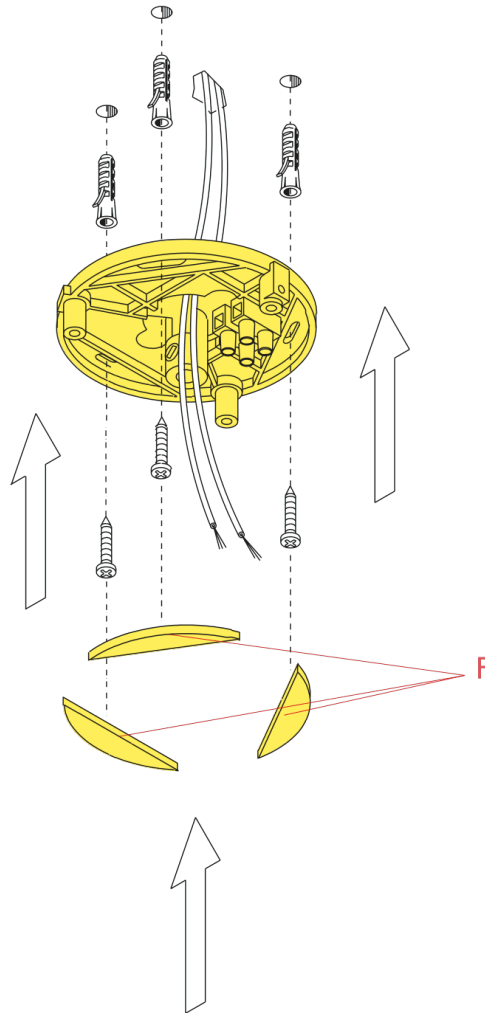


Fig.1

Fasten the wall fitting to the ceiling with screws and screw anchors, making sure the power cables pass through the central hole. Utilize the 3 protection covers (F) to cover the screws. NOTE: Choose screw anchors that are suitable for the type of mounting surface.

WARNING! When installing and whenever acting on the appliance, ensure that the power supply has been switched off. For the installation of the spare-part, it is necessary to consult a qualified electrician.

RF6256001

S1 ceiling rose assembly

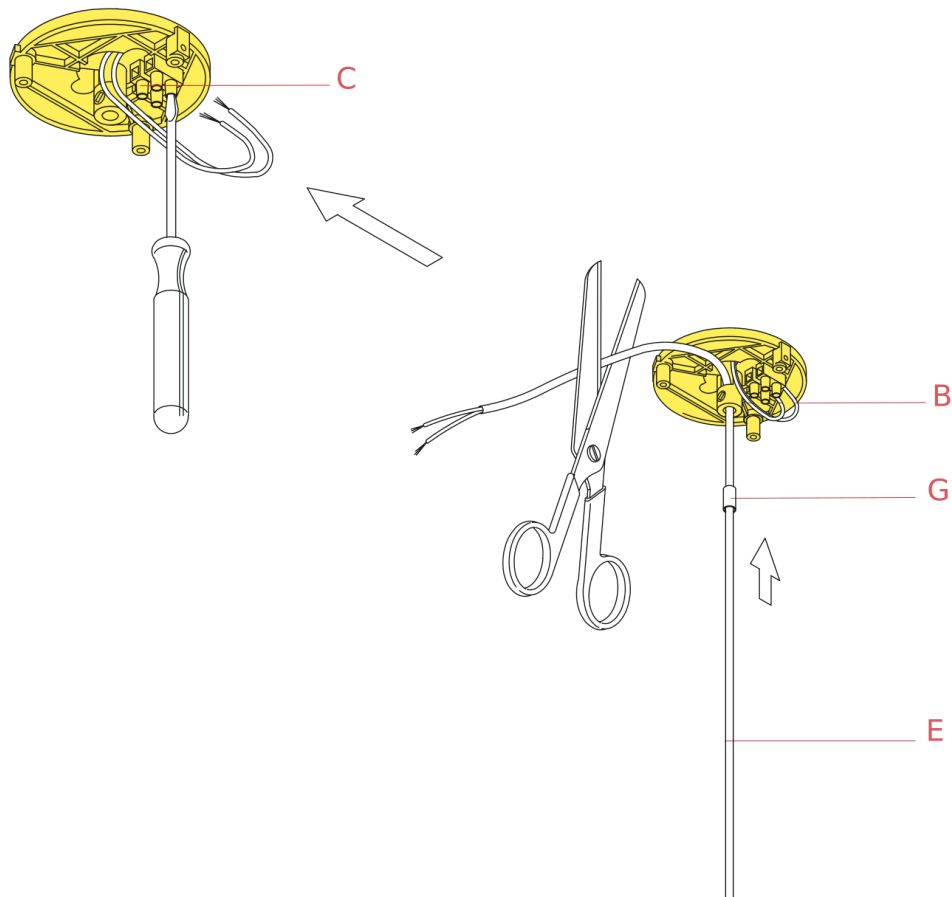


Fig.2

Connect the main power supply wires to the terminal block (C). Put the protection sheath (G) that has been supplied with the device through the power cable (E); thread the power cable (E) through the specific wall fitting opening (B), adjust (if necessary) the device height, lock the cable through the cable tighter present near the opening (B) and then cut off the excess cable.

WARNING! When installing and whenever acting on the appliance, ensure that the power supply has been switched off. For the installation of the spare-part, it is necessary to consult a qualified electrician.

RF6256001

S1 ceiling rose assembly

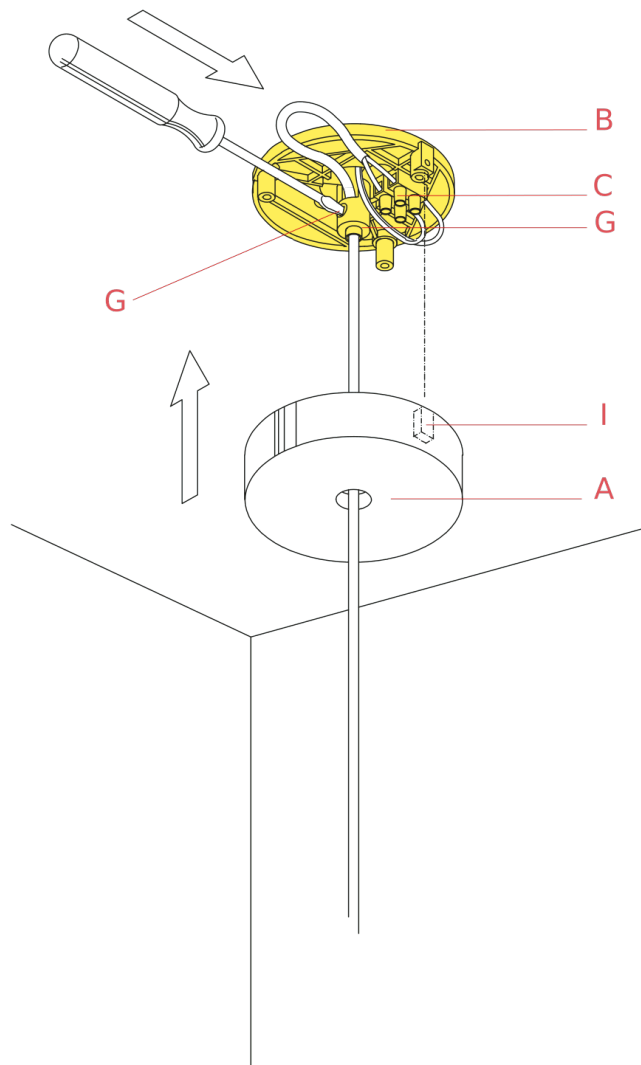


Fig.3

Position the protection sheath (G) at the height of the screw (D), then lock the power cable by tightening the screw (D). Connect the electrical cable wires to the terminal block (C). Assemble the ceiling rose cover (A) onto the wall mounting (B) ensuring that the small moulded column (H) corresponds with the opening (I) of the ceiling rose cover.

WARNING! When installing and whenever acting on the appliance, ensure that the power supply has been switched off.
For the installation of the spare-part, it is necessary to consult a qualified electrician.