

**F1580009**

White external clessidra lamp body



WARNING! When installing and whenever acting on the appliance, ensure that the power supply has been switched off.  
For the installation of the spare-part, it is necessary to consult a qualified electrician.

**F1580009**

White external clessidra lamp body

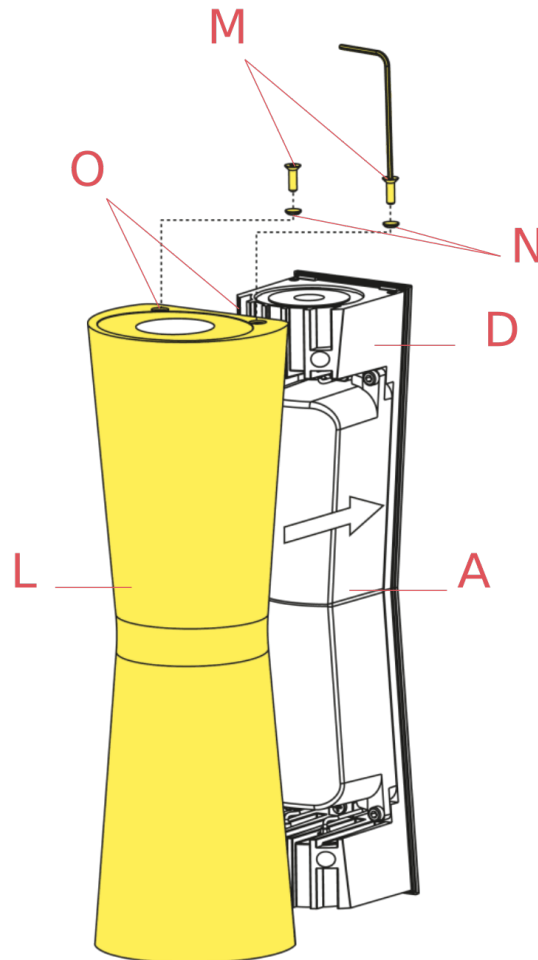


Fig.1

Assemble the external body (L) onto the internal body (D) with the screws (M) included ensuring to position the washers (N) in the correct positions (O).

WARNING! When installing and whenever acting on the appliance, ensure that the power supply has been switched off.  
For the installation of the spare-part, it is necessary to consult a qualified electrician.