

## A2512000

Glo-Ball Suspension 2 electrical wiring assembly



WARNING! When installing and whenever acting on the appliance, ensure that the power supply has been switched off. For the installation of the spare-part, it is necessary to consult a qualified electrician.

## A2512000

Glo-Ball Suspension 2 electrical wiring assembly

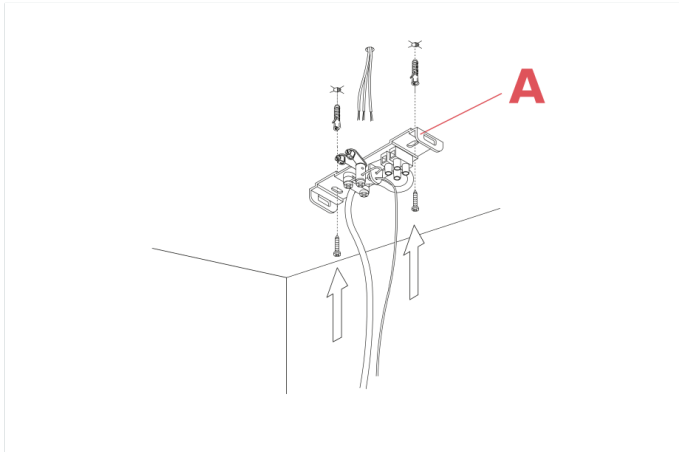


Fig.1

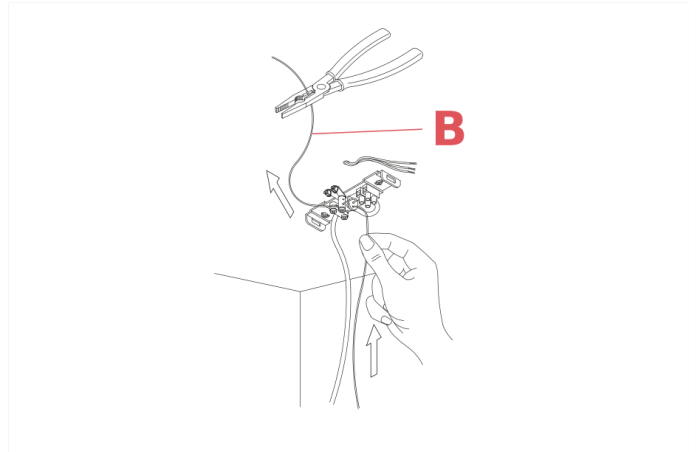


Fig.2

Fix the wall fixture (A) with the appropriate expansion bolts.

NOTE: Select and employ screw anchors which are suited to the surface where the appliance is to be installed.

Cut the steel cable (B) at the desired height.

WARNING! When installing and whenever acting on the appliance, ensure that the power supply has been switched off.  
For the installation of the spare-part, it is necessary to consult a qualified electrician.

# A2512000

## Glo-Ball Suspension 2 electrical wiring assembly

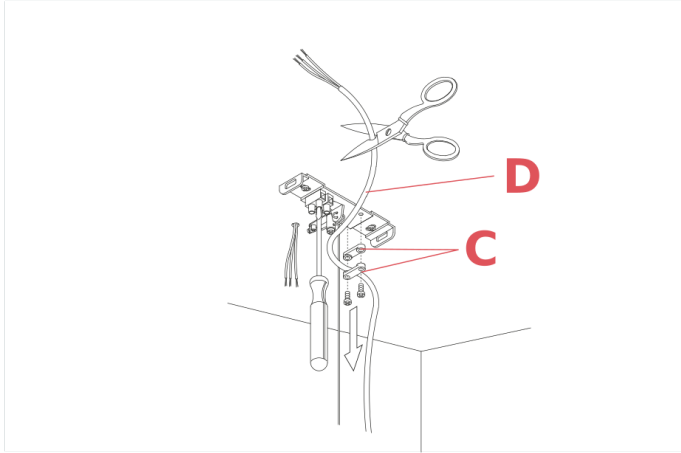


Fig.3

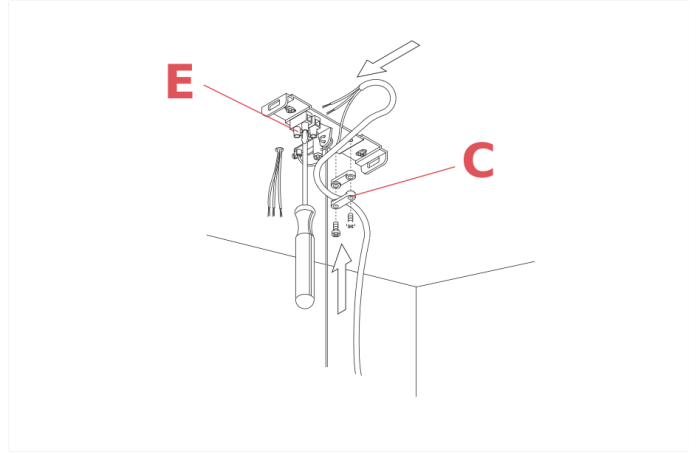


Fig.4

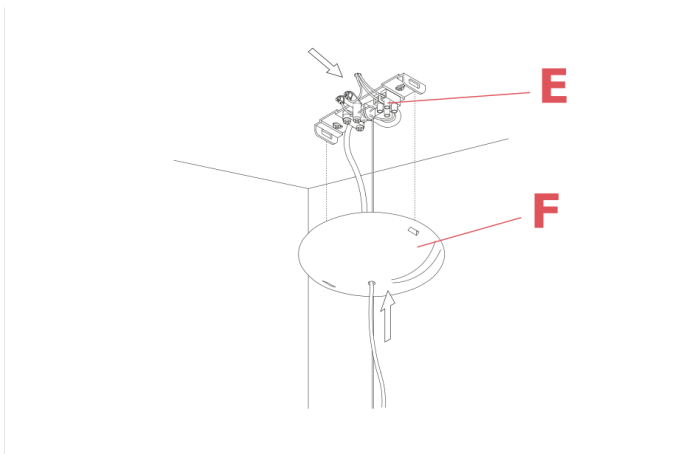


Fig.5

Detach the cable-block (C). Disconnect the feed cable (D) and cut it at the height desired.  
Mount the cable block (C) and carry out the wiring to the terminal block (E).  
Connect the power cable to the terminal block (E) and earthing. Mount the ceiling-rose (F).

**WARNING!** When installing and whenever acting on the appliance, ensure that the power supply has been switched off.  
For the installation of the spare-part, it is necessary to consult a qualified electrician.

# A2512000

## Glo-Ball Suspension 2 electrical wiring assembly

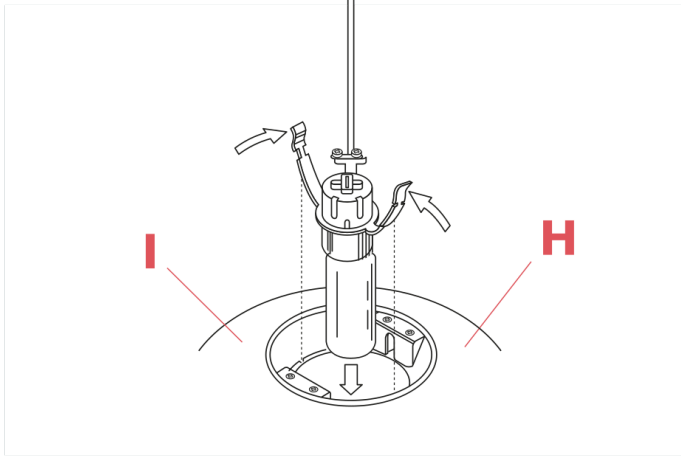


Fig.6

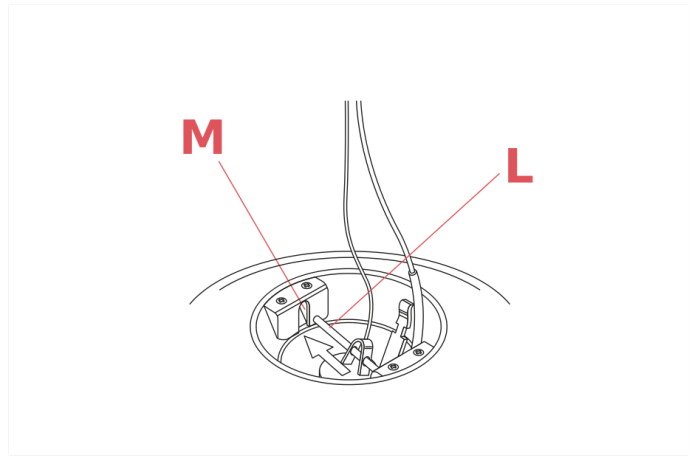


Fig.7

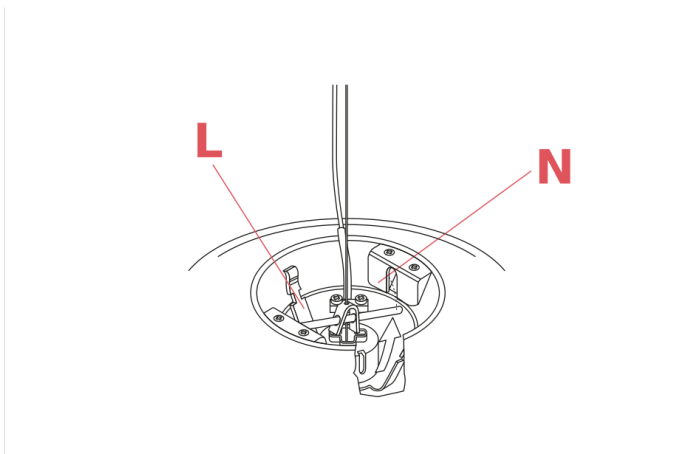


Fig.8

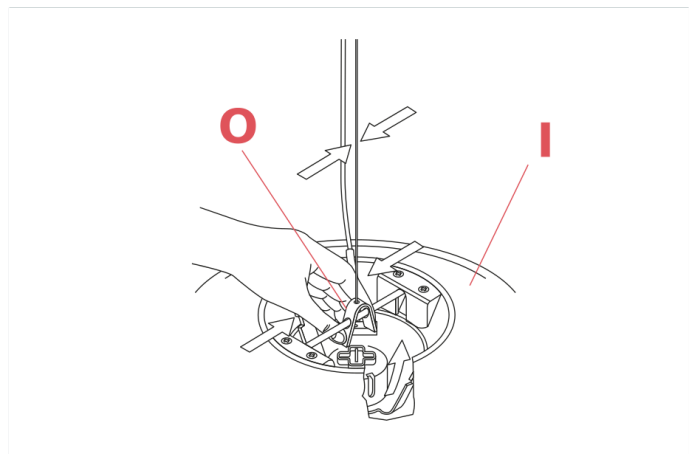


Fig.9

NOW Insert the bulb. Insert the bulb-holder in its housing (H) in the diffuser (I). (fig.6)

Insert the rod (L) in the housing (M). (fig.7)

Hook the rod (L) into the housing (N), until it locks "clicks - in". (fig.8)

To balance the diffuser (I), regulate the spring (O) on the horizontal axis. (fig.9)

WARNING! When installing and whenever acting on the appliance, ensure that the power supply has been switched off.  
For the installation of the spare-part, it is necessary to consult a qualified electrician.