

RF04322

Glo-Ball Suspension 2 Bjb e27 lamp holder



WARNING! When installing and whenever acting on the appliance, ensure that the power supply has been switched off.
For the installation of the spare-part, it is necessary to consult a qualified electrician.

RF04322

Glo-Ball Suspension 2 Bjb e27 lamp holder

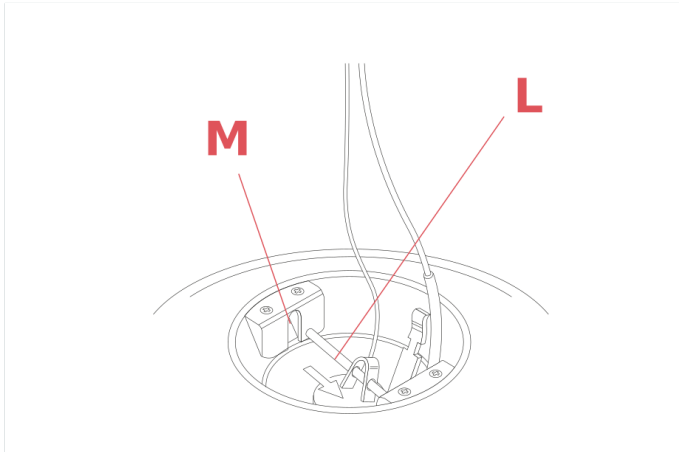


Fig.1

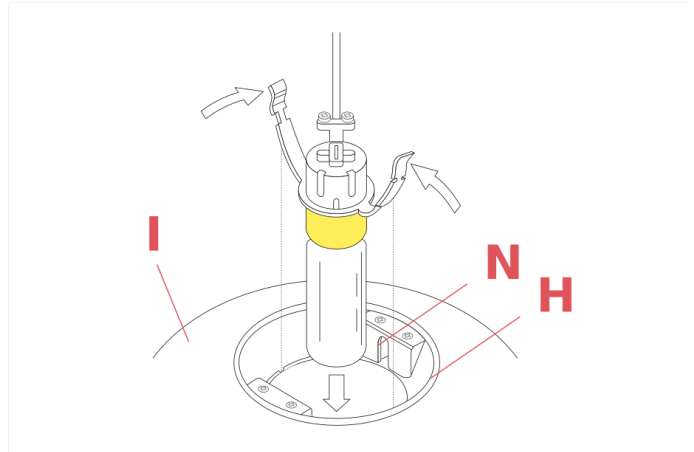


Fig.2

Remove the white glass diffuser.

It is necessary to ask somebody to hold the glass diffuser (I).

Unlock the rod (L) from the housings (M) present on the diffuser assembly (I).

Remove the glass diffuser (I) by unhooking the lamp holder supports from the housing (H).

Remove the lamp-bulb.

WARNING! When installing and whenever acting on the appliance, ensure that the power supply has been switched off.
For the installation of the spare-part, it is necessary to consult a qualified electrician.

RF04322

Glo-Ball Suspension 2 Bjb e27 lamp holder

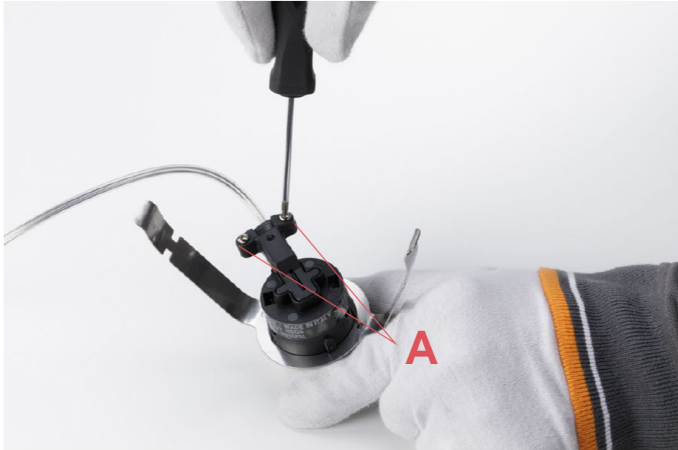


Fig.3



Fig.4

Unfasten the 2 screws (A) of the cable clamp present on the lamp holder assembly and then remove the cover (B).

WARNING! When installing and whenever acting on the appliance, ensure that the power supply has been switched off.
For the installation of the spare-part, it is necessary to consult a qualified electrician.

RF04322

Glo-Ball Suspension 2 Bjb e27 lamp holder



Fig.5

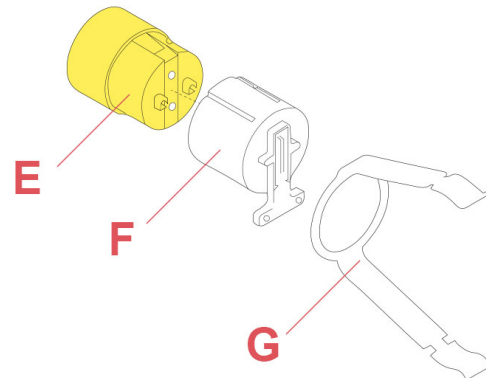


Fig.6

Insert a thin pin (C) or any other similar object inside the terminals (D) of the wire connections. Press down inside the terminals (D) with the pin (C) and then free the wires from the lamp lampholder.

Remove the lamp holder (E) that needs to be replaced, from the cap (F) and from the lamp holder assembly support (G).

Assemble now the new spare-part:

Insert the new lamp holder (E) inside the cap (F) and lamp holder support (G).

REMARK!!! Ensure that the terminals of the lamp holder correspond with the holes present on the cap.

WARNING! When installing and whenever acting on the appliance, ensure that the power supply has been switched off. For the installation of the spare-part, it is necessary to consult a qualified electrician.

RF04322

Glo-Ball Suspension 2 Bjb e27 lamp holder

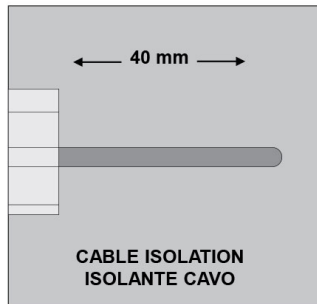


Fig.6

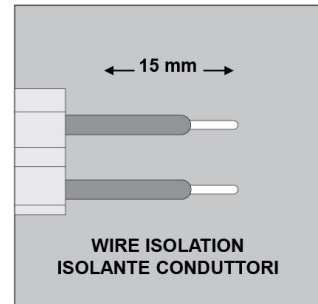


Fig.7

Strip-off 40mm length of the electrical isolation.

Strip-off 15mm length of the wires isolations.

WARNING! When installing and whenever acting on the appliance, ensure that the power supply has been switched off.
For the installation of the spare-part, it is necessary to consult a qualified electrician.

RF04322

Glo-Ball Suspension 2 Bjb e27 lamp holder

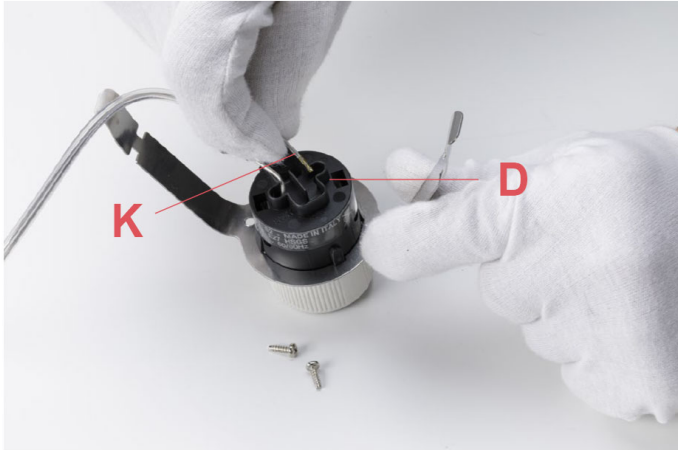


Fig.8



Fig.9

Twist and bend the conductors (K) of the wires and connect them inside the terminals (D) of the lamp holder.

Verify that they are inserted correctly by pulling the wires.

Clamp the electrical cable.

Position the cable clamp cover (B) and fasten the 2 screws (A).

Now Insert the lamp bulb.

Install the bulb-holder in its housing (H) present on the glass diffuser (I).

Insert the rod (L) in the housing (M).

Hook the rod (L) into the housing (N), up to the blocking "click". (view image at page 12)

WARNING! When installing and whenever acting on the appliance, ensure that the power supply has been switched off.
For the installation of the spare-part, it is necessary to consult a qualified electrician.