

RF00750

Splügen Brau Zapon-varnished reflector



WARNING! When installing and whenever acting on the appliance, ensure that the power supply has been switched off.
For the installation of the spare-part, it is necessary to consult a qualified electrician.

RF00750

Splügen Brau Zapon-varnisched reflector

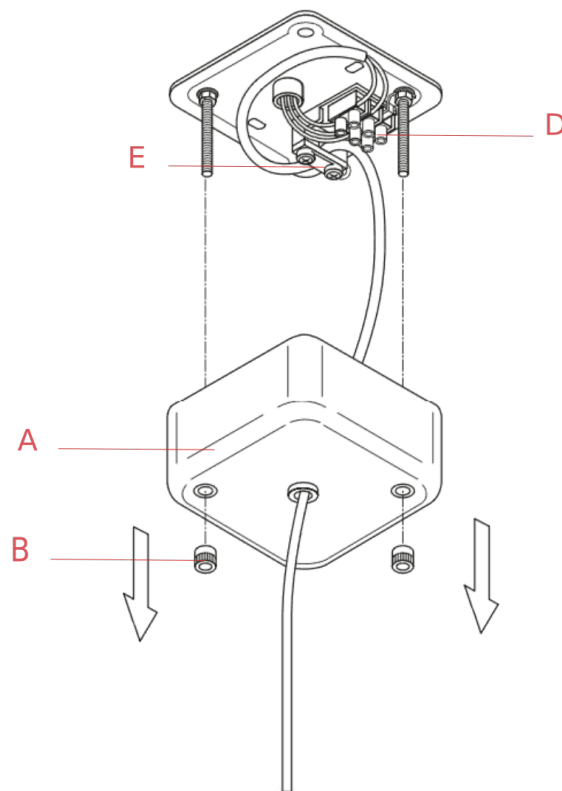


Fig.1

Unfasten the bolts (B) and unhook the ceiling rose (A) from the wall attachment.
Free the electrical cable by unfastening the screws of the cable clamp (E) and by disconnecting the electrical conductors from the terminal box (D).

Slide out the electrical cable from the ceiling rose (A).

REMARKS! Ask another person to hold up the reflector (item that needs to be replaced) whilst disconnecting the electrical conductors.

WARNING! When installing and whenever acting on the appliance, ensure that the power supply has been switched off.
For the installation of the spare-part, it is necessary to consult a qualified electrician.

RF00750

Splügen Brau Zapon-varnisched reflector



Fig.2

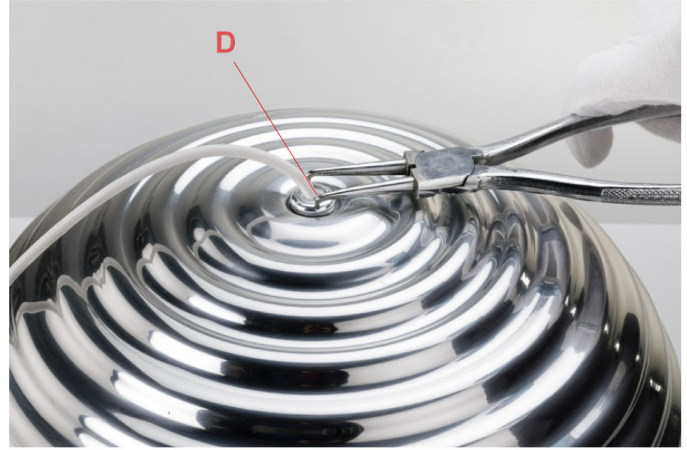


Fig.3

Insert the nose of the pliers inside the two openings of the ring nut (F) that are situated on top point of the reflector.

Unfasten and remove the ring nut (F) from the electrical cable.

REMARKS! Utilize bent nose pliers (refer to image on the left hand side).

WARNING! When installing and whenever acting on the appliance, ensure that the power supply has been switched off.
For the installation of the spare-part, it is necessary to consult a qualified electrician.

RF00750

Splügen Brau Zapon-varnisched reflector



Fig.4



Fig.5

Slide out the electrical assembly (C) that needs to be replaced, from underneath the reflector.

Assemble now the new spare-part: insert through the reflector the new electrical assembly (C).

Insert the ring nut (F) through the electrical cable and fasten it by utilizing the bent nose pliers.(Fig.3 page 11)

Connect the electrical conductors to the terminal box (D), ensuring to lock the cable through the cable clamp (E).

Close the ceiling rose (A) by fastening the bolts (B).(Fig.1 page 10)

WARNING! When installing and whenever acting on the appliance, ensure that the power supply has been switched off.
For the installation of the spare-part, it is necessary to consult a qualified electrician.