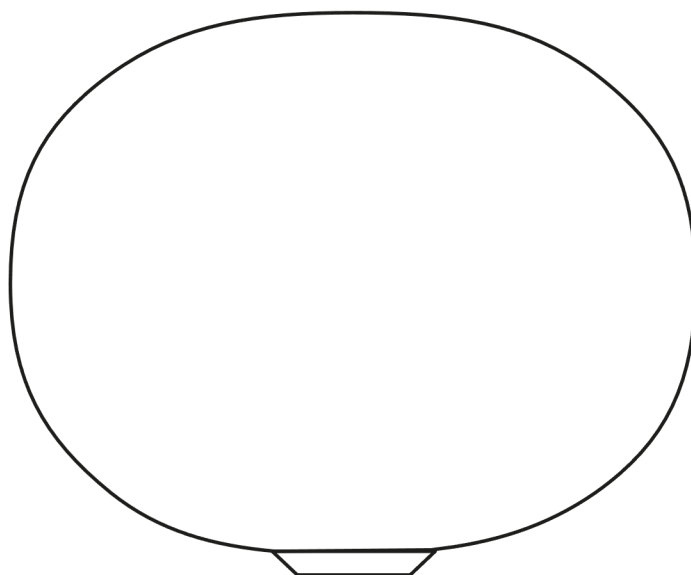


GLO-BALL BASIC 2

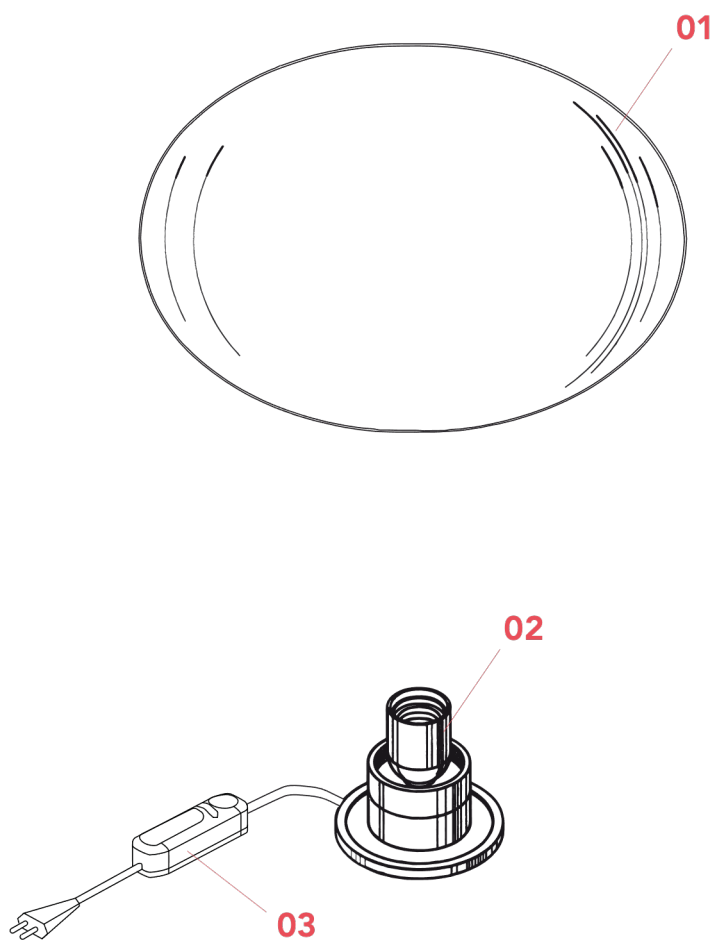
Designed by Jasper Morrison, 1998

F3026000



GLO-BALL BASIC 2

F3026000

EN

01. F3055061 – White diffuser 2

02. RF28206 – Led dimmer 1004P LFP100-240V 4-150WHL 4-150WHL

03. RF2500200 – Lamp holder assembly

GLO-BALL BASIC 2 F3026000

EN

F3055061

WHITE/GREY DIFFUSER 2




Glo-
ball
Basic 2
p.03



Glo-
ball C2
p.03



Glo-
ball F3
p.03

WARNING! When installing and whenever acting on the appliance, ensure that the power supply has been switched off.
For the installation of the spare-part, it is necessary to consult a qualified electrician.

GLO-BALL BASIC 2 F3026000

EN

F3055061

WHITE/GREY DIFFUSER 2

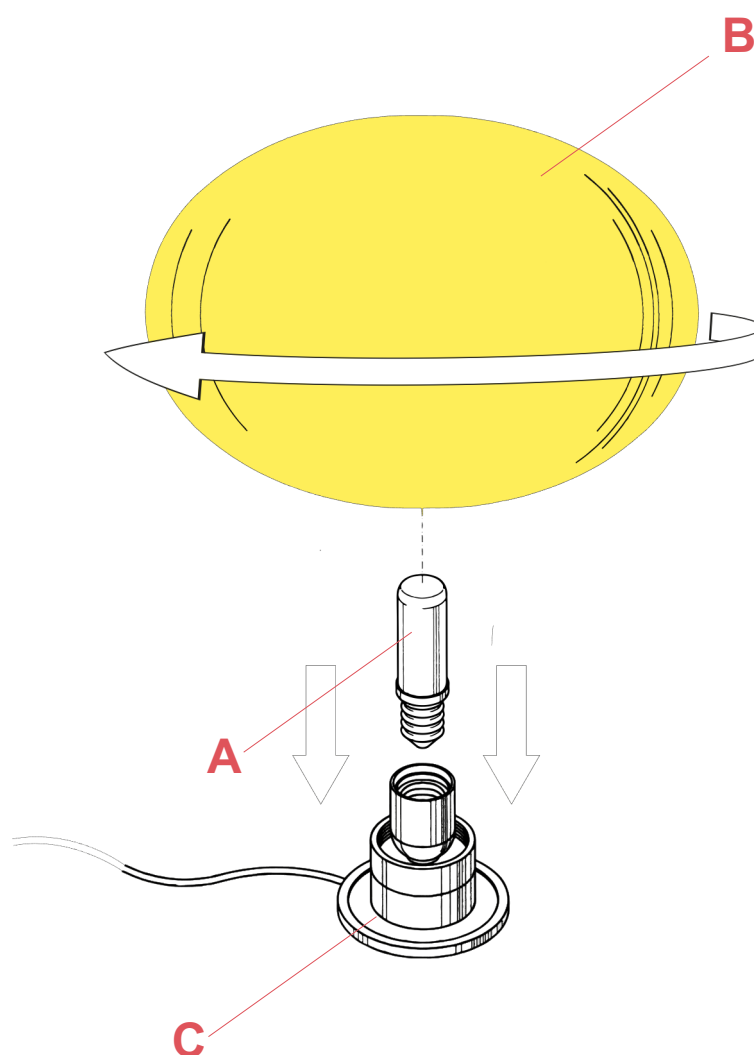


Fig.1

Insert the bulb (A). Position the diffuser (B) on the support (C) and secure it, turning it clockwise.

WARNING! When installing and whenever acting on the appliance, ensure that the power supply has been switched off. For the installation of the spare-part, it is necessary to consult a qualified electrician.

GLO-BALL BASIC 2 F3026000

EN

RF28206

LED DIMMER 1004P LFP100-240V 4-150WHL 4-25W



Bedside
Gun
p.12



Chiara T
p.03



Glo-
ball
Basic 0
p.11



Glo-
ball
Basic 1
p.14



Glo-
ball
Basic 2
p.05



Glo-
ball T1
p.11



Ic T1
High
p.08



Ic T1
Low
p.08



Ic T2
p.08



Ktribe T1
p.05



Ktribe T2
p.05



Miss
K
p.13



Ray T
p.17



Romeo
Moon
T1
p.32



Romeo
Soft T1
p.32



Spun
Light
T1
p.12



Spun
Light
T2
p.12



Table
Gun
p.12

WARNING! When installing and whenever acting on the appliance, ensure that the power supply has been switched off. For the installation of the spare-part, it is necessary to consult a qualified electrician.

GLO-BALL BASIC 2 F3026000

EN

RF28206

LED DIMMER 1004P LFP100-240V 4-150WHL 4-25W



Fig.1



Fig.2

Open the dimmer box of the damaged dimmer.

For the opening, it is necessary to remove the n°2 screws using a star screw driver.

Lift-up the dimmer casing from the dimmer base;

WARNING! When installing and whenever acting on the appliance, ensure that the power supply has been switched off.
For the installation of the spare-part, it is necessary to consult a qualified electrician.

RF28206

LED DIMMER 1004P LFP100-240V 4-150WHL 4-25W

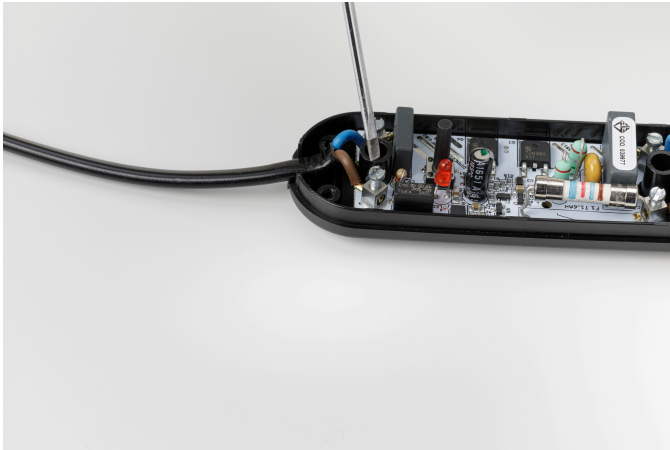


Fig.3

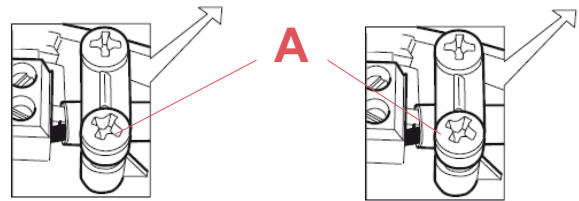


Fig.3.1

Remove the cable clamps by unfastening the 4 screws (A) and disconnect the wires from the terminal blocks through a tiny flat headed screw driver;



Fig.4

Replace the dimmer and connect the wires. When connecting the wires it is necessary to respect the polarities (L = Brown and N = Blue) to the terminal box. Lock the electrical cables by fastening the screws (A) of the cable clamps and make sure to block the isolation of the electrical cable.

Close the dimmer box.

It is necessary to place the casing on top and press down until it locks in. it is necessary to insert the n°2 screws using a star screw driver

WARNING! When installing and whenever acting on the appliance, ensure that the power supply has been switched off. For the installation of the spare-part, it is necessary to consult a qualified electrician.

GLO-BALL BASIC 2 F3026000

EN

RF2500200

LAMP HOLDER ASSEMBLY



Frisbi
p.15



Glo-ball
Basic 1
p.08



Glo-ball
Basic 2
p.08



Glo-ball
C1
p.05



Glo-ball
C2
p.05



Glo-ball
F1
p.09



Glo-ball
F2
p.09



Glo-ball
F3
p.09



Glo-ball
S1
p.05



Glo-ball
T1
p.05

WARNING! When installing and whenever acting on the appliance, ensure that the power supply has been switched off. For the installation of the spare-part, it is necessary to consult a qualified electrician.

GLO-BALL BASIC 2 F3026000

EN

RF2500200

LAMP HOLDER ASSEMBLY



Fig.1



Fig.2

Remove the base cover (A) by turning the assembly upside down, insert a flat headed screw driver inside one of the openings and then force it to open.

WARNING! When installing and whenever acting on the appliance, ensure that the power supply has been switched off. For the installation of the spare-part, it is necessary to consult a qualified electrician.

GLO-BALL BASIC 2 F3026000

EN

RF2500200

LAMP HOLDER ASSEMBLY

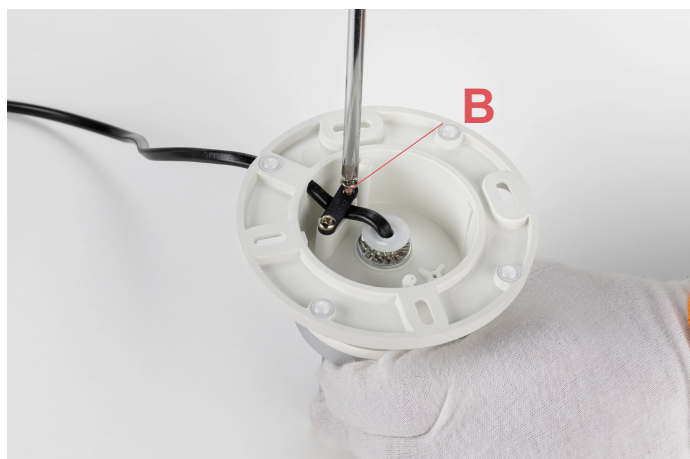


Fig.3

Remove the cable clamp (B) by unfastening the 2 screws.



Fig.4

Pull the electrical cable (C) in away that when removing the lamp holder you have some spare extension cable. This operation is done for an easier removal of the lamp holder.

WARNING! When installing and whenever acting on the appliance, ensure that the power supply has been switched off. For the installation of the spare-part, it is necessary to consult a qualified electrician.

GLO-BALL BASIC 2 F3026000

EN

RF2500200

LAMP HOLDER ASSEMBLY



Fig.5

Turn the assembly around.

Remove the lamp holder.
Insert a flat headed screw driver inside the opening of the lateral clamp and unhook the lamp holder (D) from the support. Repeat the same operation also for the opposite side.



Fig.6

Remove the lamp holder from its support and disconnect the electrical wires by pressing the push terminals with a paper clip (E) or something similar.

WARNING! When installing and whenever acting on the appliance, ensure that the power supply has been switched off.
For the installation of the spare-part, it is necessary to consult a qualified electrician.

GLO-BALL BASIC 2 F3026000

EN

RF2500200

LAMP HOLDER ASSEMBLY



Fig.7



Fig.8

Cut-off the cable tie (F) and remove the cable isolator (G) from the electrical cable.

WARNING! When installing and whenever acting on the appliance, ensure that the power supply has been switched off. For the installation of the spare-part, it is necessary to consult a qualified electrician.

©2021 Flos - All rights reserved - www.flos.com
Flos reserves the right to introduce any changes to its own models, without prior notice.

RF2500200

LAMP HOLDER ASSEMBLY



Fig.9

Unfasten the locking screw (H) by utilizing a tiny flat headed screw driver.



Fig.10

Remove the lamp holder support (I) by unfastening it from the assembly.

WARNING! When installing and whenever acting on the appliance, ensure that the power supply has been switched off. For the installation of the spare-part, it is necessary to consult a qualified electrician.

RF2500200

LAMP HOLDER ASSEMBLY



Fig.11



Fig.12



Fig.13

Assemble now the new spare-part:
Tighten the lamp holder support (I) onto the assembly and then fasten the locking screw (H) by utilizing a flat headed screw driver. Insert the isolator (F).

WARNING! When installing and whenever acting on the appliance, ensure that the power supply has been switched off. For the installation of the spare-part, it is necessary to consult a qualified electrician.

GLO-BALL BASIC 2 F3026000

EN

RF2500200

LAMP HOLDER ASSEMBLY



Fig.14



Fig.15

Connect the electrical wires to the lamp holder by utilizing always the paper clip. Connect the Brown "L" (live) wire in the terminal that corresponds (opposite side) to the centre brass contact of the lamp holder and then connect the Blue "N" (neutral) wire in the other terminal.

N.B. The electrical wires are connected by pushing the wires inside the terminals, therefore it is necessary to verify that they are connected properly.

WARNING! When installing and whenever acting on the appliance, ensure that the power supply has been switched off. For the installation of the spare-part, it is necessary to consult a qualified electrician.

RF2500200

LAMP HOLDER ASSEMBLY



Fig.14

Now reassembly the lamp:

Hook the lamp holder (D) on the support (I). Turn up-side down the assembly around and pull back the electrical cable (C).(Fig.4 page 10)

Position the electrical cable) between the two threaded holes and fix the cable clamp (B) by fastening the 2 screws.(Fig.3 page 10)

Position the cover base (A) on top of the assembly (the holes of the cover must correspond with the plastic pins of the assembly) and then push down on the cover so that it clicks onto the assembly.(Fig.2 page 9)



Fig.15

WARNING! When installing and whenever acting on the appliance, ensure that the power supply has been switched off. For the installation of the spare-part, it is necessary to consult a qualified electrician.