

RF32828

Bellhop Wall Up Transparent Difusser



WARNING! When installing and whenever acting on the appliance, ensure that the power supply has been switched off.
For the installation of the spare-part, it is necessary to consult a qualified electrician.

RF32828

Bellhop Wall Up Transparent Difusser

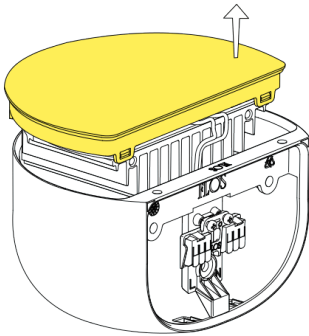


Fig.1

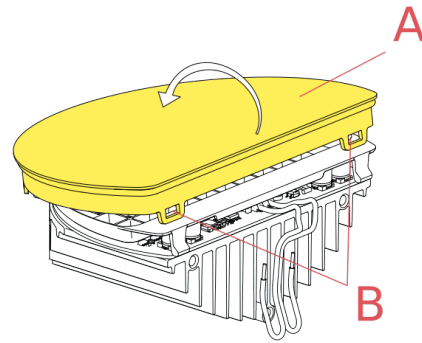


Fig.2

Remove the diffuser assembly from the body lamp.

Release the diffuser (A) using the hooks (B).
Assemble now the new spare parts.

WARNING! When installing and whenever acting on the appliance, ensure that the power supply has been switched off.
For the installation of the spare-part, it is necessary to consult a qualified electrician.