

**RF16083**

Ray Floor 2-Suspension diffuser



WARNING! When installing and whenever acting on the appliance, ensure that the power supply has been switched off.  
For the installation of the spare-part, it is necessary to consult a qualified electrician.

**RF16083**

Ray Floor 2-Suspension diffuser

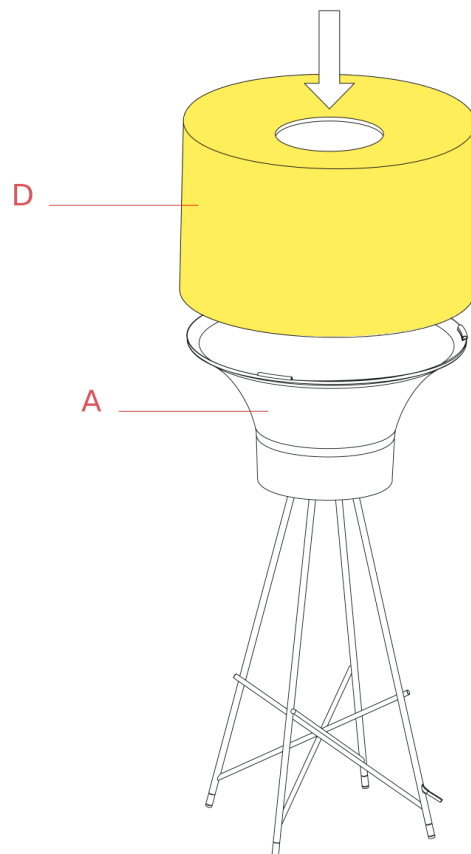


Fig.1

Position the diffuser (D) on the support (A).

WARNING! When installing and whenever acting on the appliance, ensure that the power supply has been switched off.  
For the installation of the spare-part, it is necessary to consult a qualified electrician.

**RF16083**

Ray Floor 2-Suspension diffuser

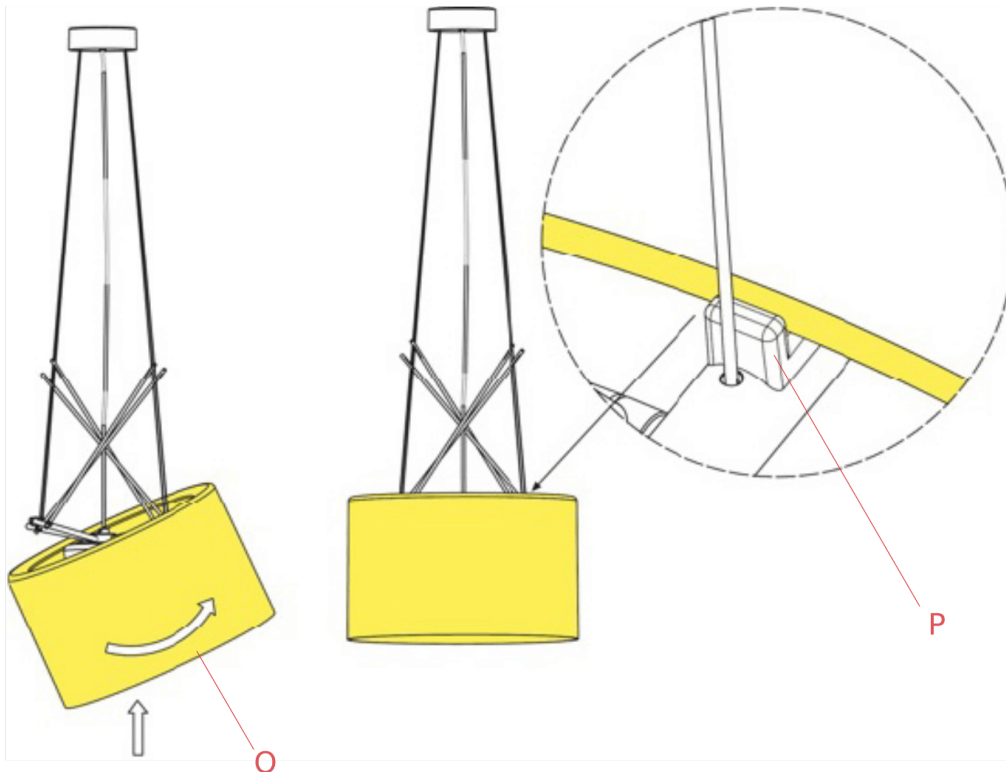


Fig.1

Assemble the diffuser (O) on the frame, installing it as shown in the image on the left hand side, ensuring that the edges of the diffuser are placed over the appropriate supports (P).

WARNING! When installing and whenever acting on the appliance, ensure that the power supply has been switched off. For the installation of the spare-part, it is necessary to consult a qualified electrician.