

RF06296

Kit with 3 screws m3



WARNING! When installing and whenever acting on the appliance, ensure that the power supply has been switched off.
For the installation of the spare-part, it is necessary to consult a qualified electrician.

RF06296

Kit with 3 screws m3

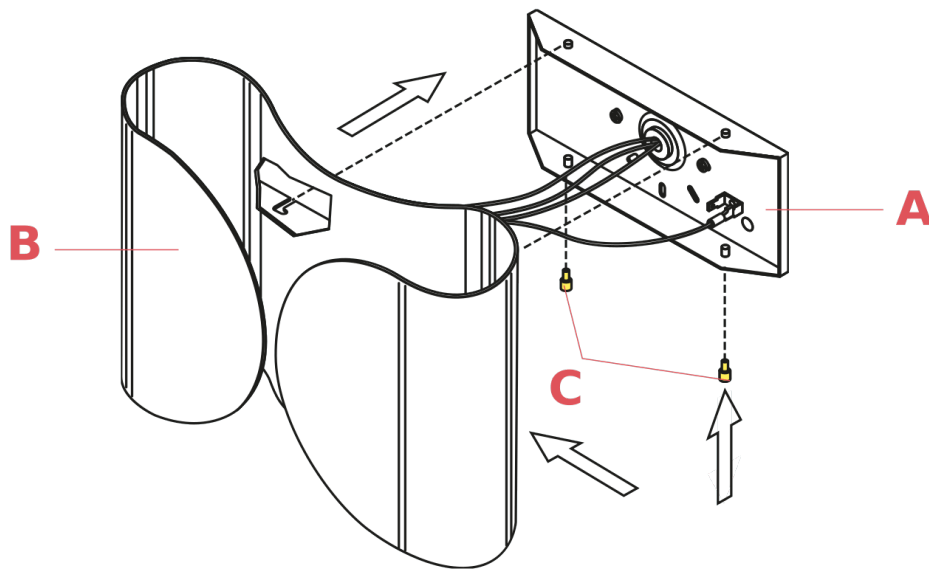


Fig.1

Assemble the body (B) to the wall attachment (A) by fastening the threaded pins (C).

WARNING! When installing and whenever acting on the appliance, ensure that the power supply has been switched off.
For the installation of the spare-part, it is necessary to consult a qualified electrician.