

RF11695

Spun Light Table 1 anti-glare glass



WARNING! When installing and whenever acting on the appliance, ensure that the power supply has been switched off.
For the installation of the spare-part, it is necessary to consult a qualified electrician.

RF11695

Spun Light Table 1 anti-glare glass

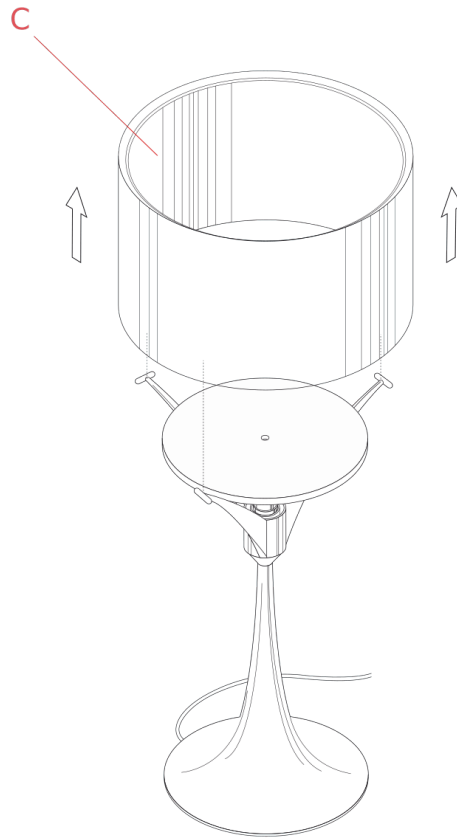


Fig.1

Remove delicately the diffuser (C) from the lamp body.

WARNING! When installing and whenever acting on the appliance, ensure that the power supply has been switched off.
For the installation of the spare-part, it is necessary to consult a qualified electrician.

RF11695

Spun Light Table 1 anti-glare glass

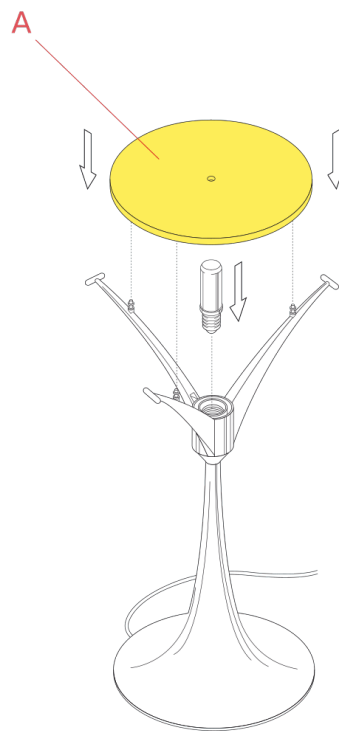


Fig.2

Place the anti-glare glass (A) on the supports, ensuring that the pins correspond with the seats present on the anti-glare glass.

WARNING! When installing and whenever acting on the appliance, ensure that the power supply has been switched off.
For the installation of the spare-part, it is necessary to consult a qualified electrician.

RF11695

Spun Light Table 1 anti-glare glass

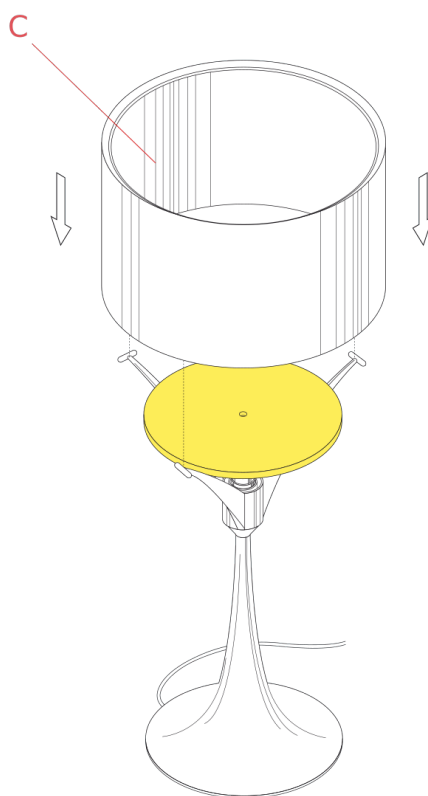


Fig.3

Place the diffuser (C) on the lamp body.

WARNING! When installing and whenever acting on the appliance, ensure that the power supply has been switched off.
For the installation of the spare-part, it is necessary to consult a qualified electrician.