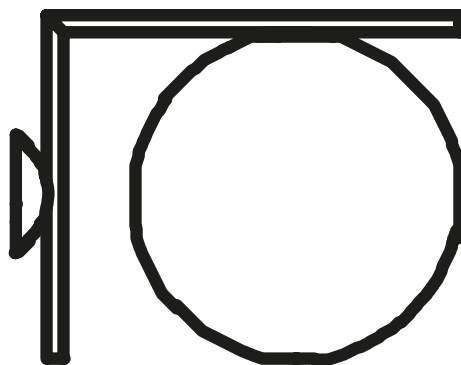


IC C/W1

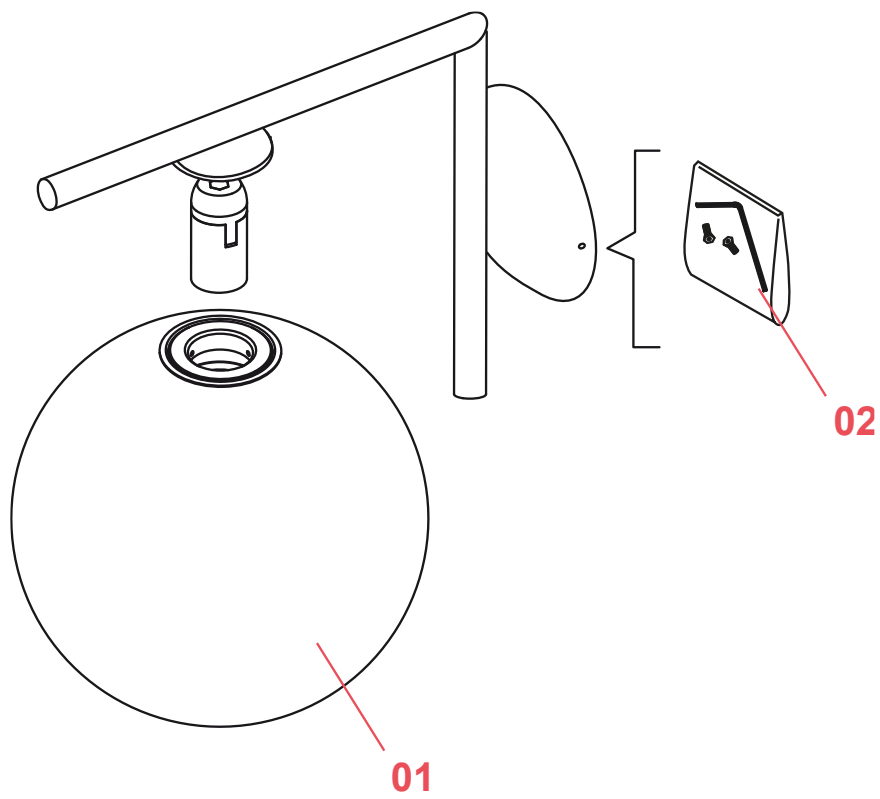
Designed by Michael Anastassiades, 2014

F3178059



IC C/CW1 F3178059

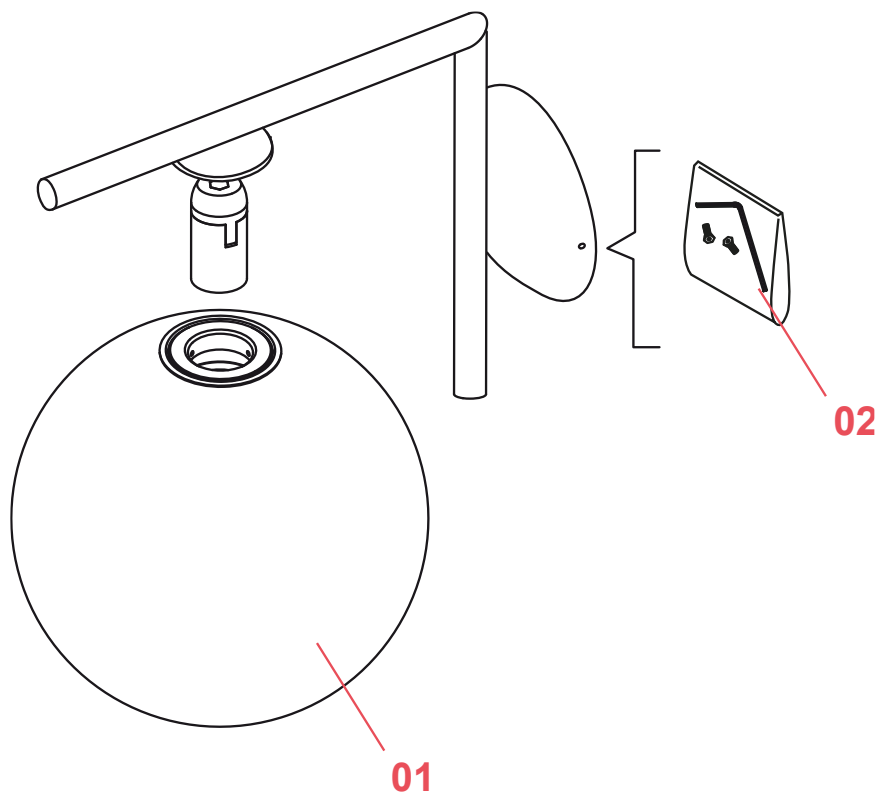
EN



IC C/CW1

F3178059

EN



01. F3136059 – Glass diffuser 1 assembly for brass version

02. RF3160100 – Kit with screws and Allen key

IC C/W1 F3178059

EN

F3136059

GLASS DIFFUSER 1 ASSEMBLY FOR BRASS VERSION



WARNING! When installing and whenever acting on the appliance, ensure that the power supply has been switched off.
For the installation of the spare-part, it is necessary to consult a qualified electrician.

©2021 Flos - All rights reserved - www.flos.com
Flos reserves the right to introduce any changes to its own models, without prior notice.

IC C/W1 F3178059

EN

F3136059

GLASS DIFFUSER 1 ASSEMBLY FOR BRASS VERSION

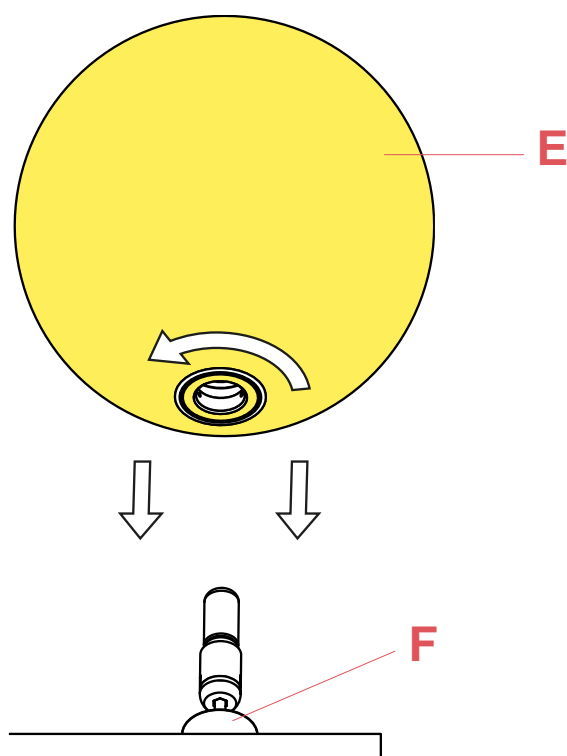


Fig.1

Assemble the glass diffuser (E) by fastening it delicately to the lamp body's ferrule (F).

WARNING! When installing and whenever acting on the appliance, ensure that the power supply has been switched off.
For the installation of the spare-part, it is necessary to consult a qualified electrician.

IC C/W1 F3178059

EN

RF3160100

KIT WITH SCREWS AND ALLEN KEY



WARNING! When installing and whenever acting on the appliance, ensure that the power supply has been switched off.
For the installation of the spare-part, it is necessary to consult a qualified electrician.

IC C/W1 F3178059

EN

RF3160100

KIT WITH SCREWS AND ALLEN KEY

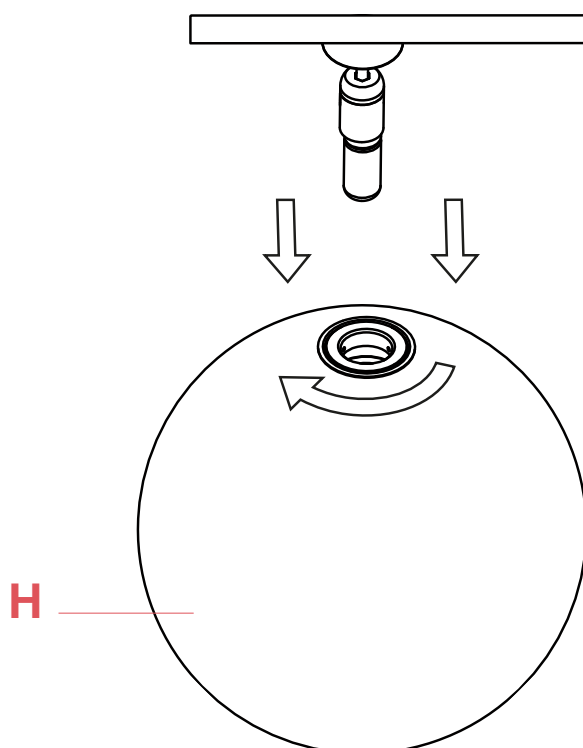


Fig.1

Before proceeding in installing the screws, please verify that the glass diffuser (M) has been removed. If not, please remove the glass diffuser (M) to avoid possible damages.

RF3160100

KIT WITH SCREWS AND ALLEN KEY

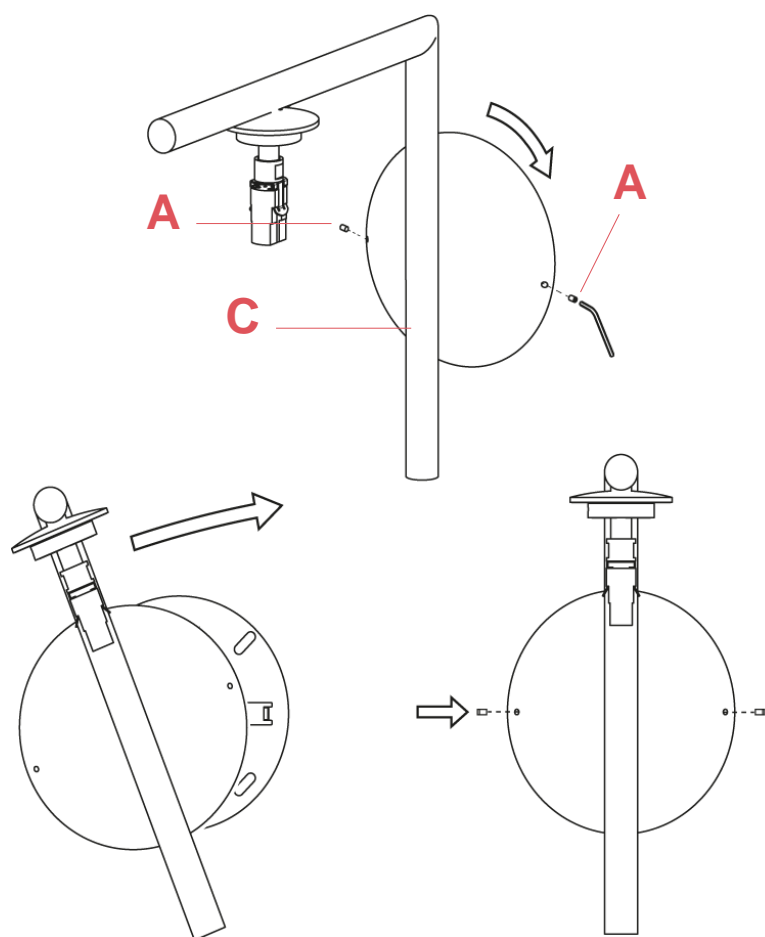


Fig.2

Position the lamp body (C) on the wall attachment and assemble the lamp body by fastening the 2 screws (A) with the Allen key.

HINTS!!! To carry-out this operation position the lamp body close to the wall attachment, tilt the body and slightly and tip it slightly to the left, to then fasten it with a slight clockwise rotation.

WARNING! When installing and whenever acting on the appliance, ensure that the power supply has been switched off.
For the installation of the spare-part, it is necessary to consult a qualified electrician.

IC C/W1 F3178059

EN

RF3160100

KIT WITH SCREWS AND ALLEN KEY

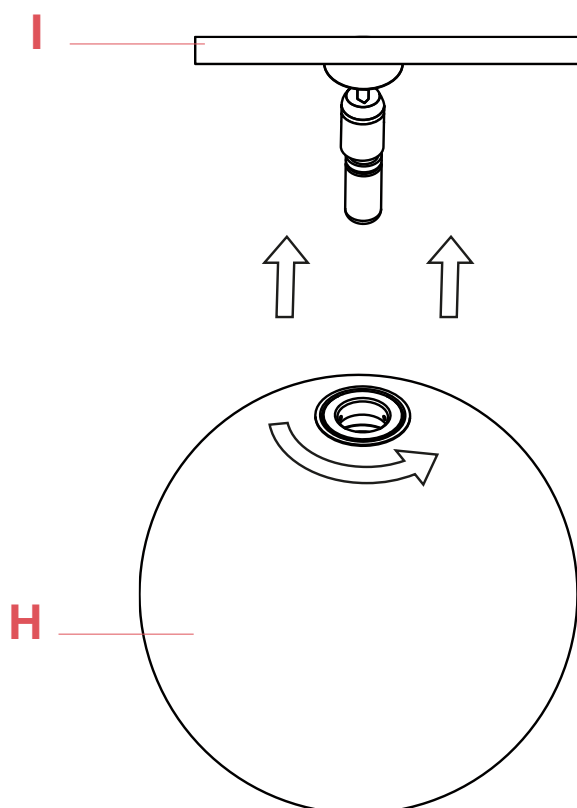


Fig.3

Assemble back the glass diffuser (H) by fastening it delicately to the lamp body's ferrule (I).

WARNING! When installing and whenever acting on the appliance, ensure that the power supply has been switched off.
For the installation of the spare-part, it is necessary to consult a qualified electrician.

©2021 Flos - All rights reserved - www.flos.com
Flos reserves the right to introduce any changes to its own models, without prior notice.