

RF22996

Ok Black extrusion



WARNING! When installing and whenever acting on the appliance, ensure that the power supply has been switched off.
For the installation of the spare-part, it is necessary to consult a qualified electrician.

RF22996

Ok Black extrusion

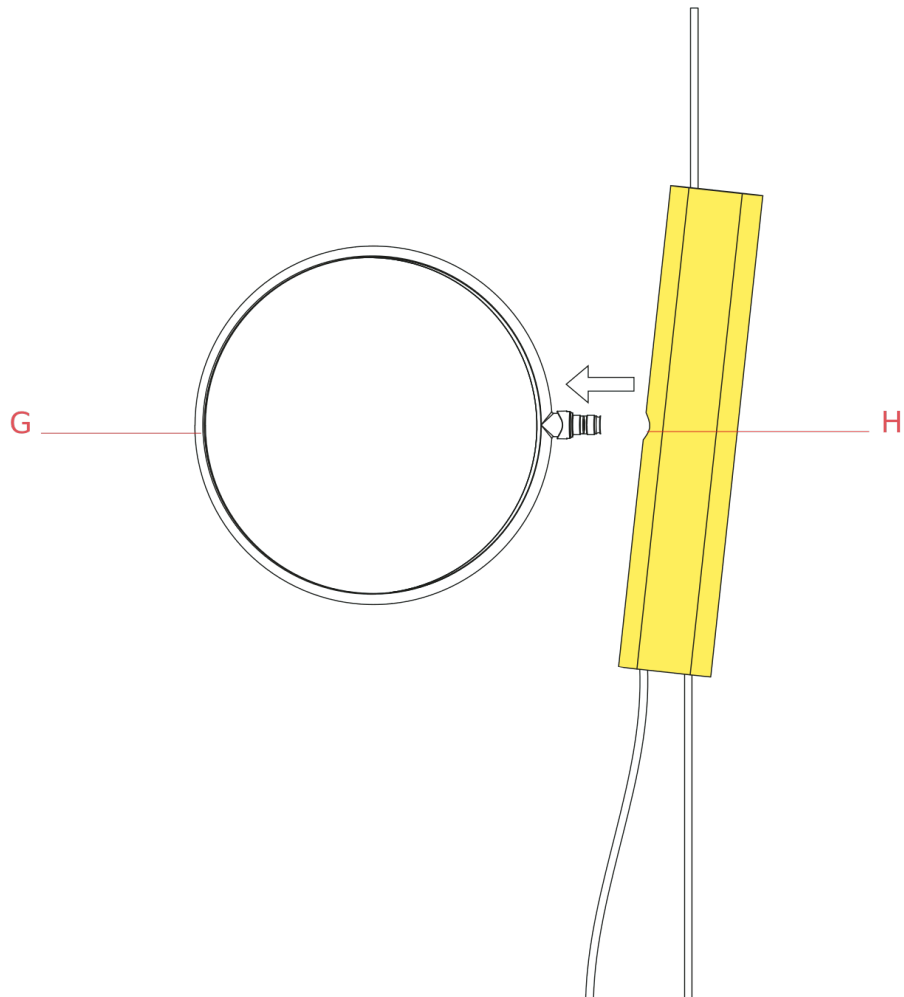


Fig.1

Remove the LED fixture head (G) from the lamp body (H).

WARNING! When installing and whenever acting on the appliance, ensure that the power supply has been switched off.
For the installation of the spare-part, it is necessary to consult a qualified electrician.

RF22996

Ok Black extrusion

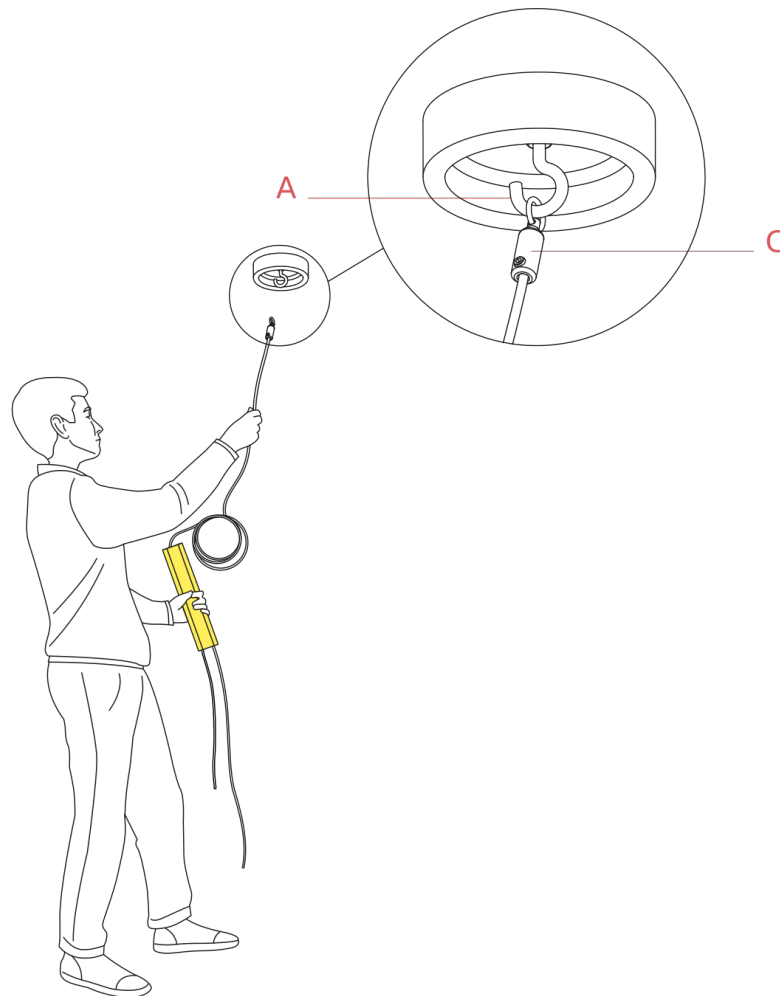


Fig.2

Unhook the steel wire end (C) from the open ring (A).

WARNING! When installing and whenever acting on the appliance, ensure that the power supply has been switched off.
For the installation of the spare-part, it is necessary to consult a qualified electrician.

RF22996

Ok Black extrusion

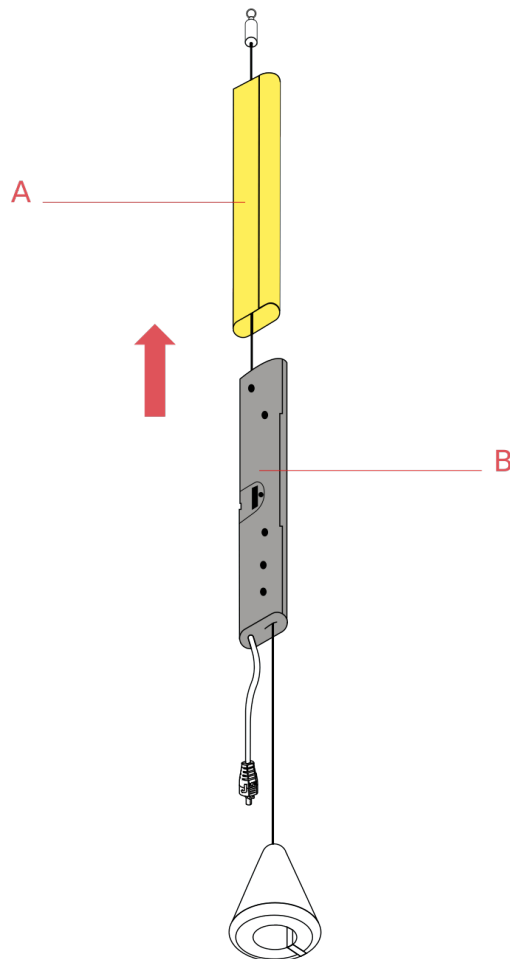


Fig.3

Unlock the damaged extrusion (A) from the central lamp body (B) and slide it off the suspension steel wire.

Assemble now the new spare-part:

Install the new extrusion (A) by sliding it through the suspension steel wire and locking it on the central body (B).

Hook the steel wire end (C) to the open ring (A).(Fig.2 page 2)

WARNING! When installing and whenever acting on the appliance, ensure that the power supply has been switched off.
For the installation of the spare-part, it is necessary to consult a qualified electrician.

RF22996

Ok Black extrusion

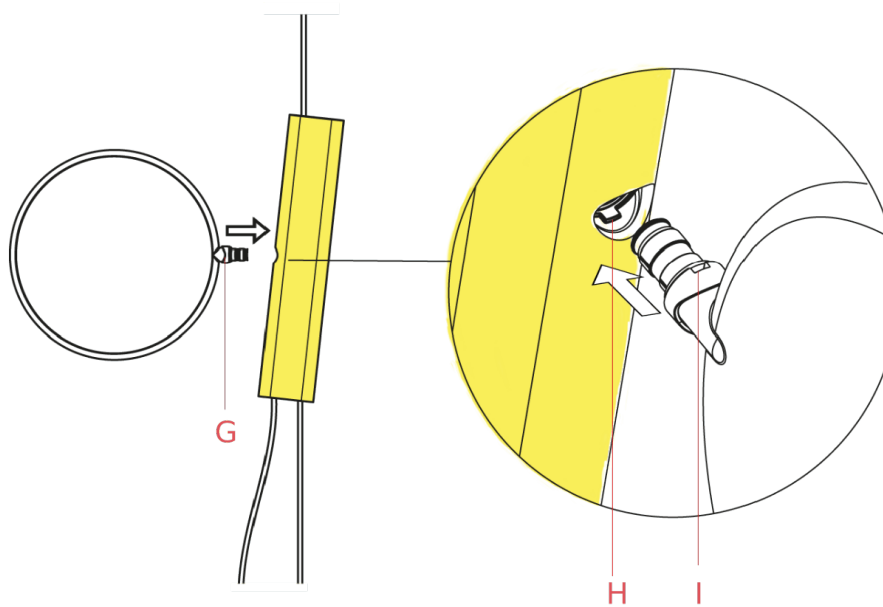


Fig.4

Assemble the LED fixture head, inserting the pin (G) in the hole (H) of the lamp body, ensuring that the guide (I) are correctly oriented (guide "I" needs to be turned upwards).

WARNING! When installing and whenever acting on the appliance, ensure that the power supply has been switched off.
For the installation of the spare-part, it is necessary to consult a qualified electrician.