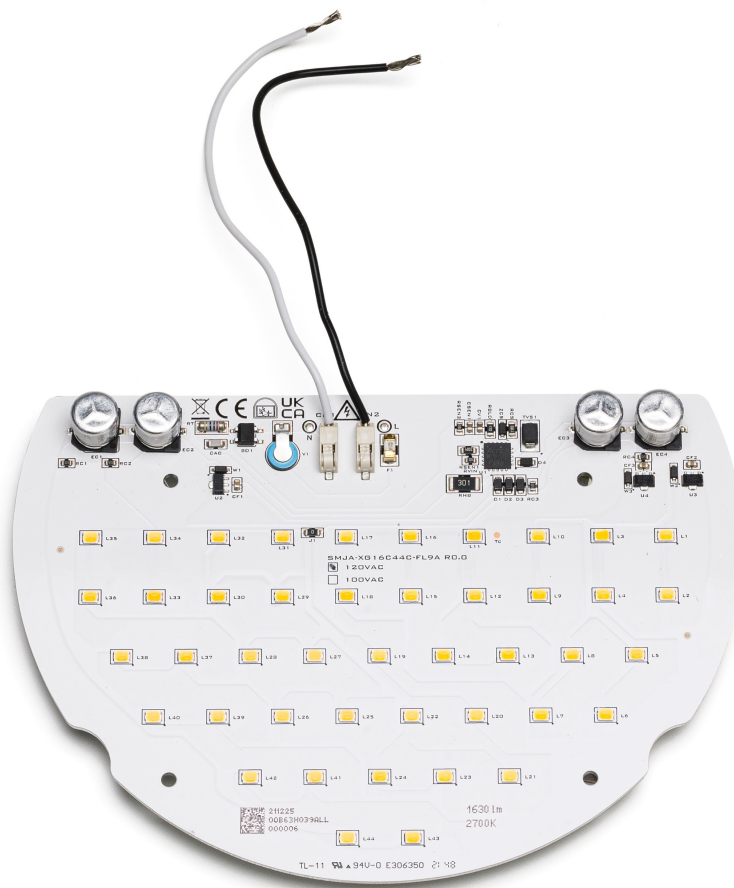


BELLHOP WALL UP
FU108009

EN

RF1080200 LED CHIP BOARD



WARNING! When installing and whenever acting on the appliance, ensure that the power supply has been switched off. For the installation of the spare-part, it is necessary to consult a qualified electrician.

BELLHOP WALL UP
FU108009

EN

RF1080200 LED CHIP BOARD

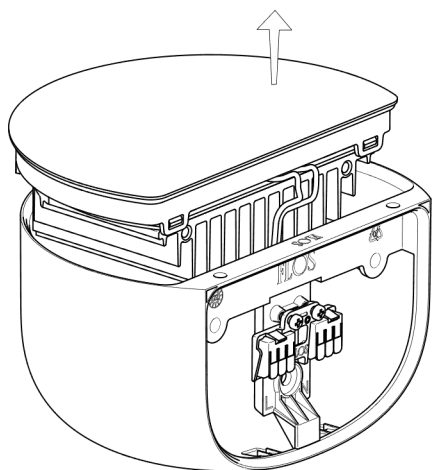


Fig.1

Remove the diffuser assembly from the body lamp.

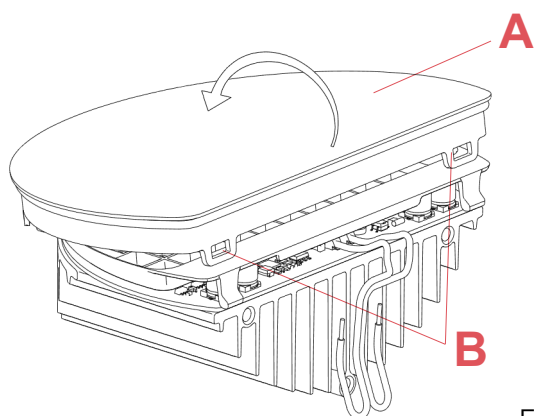


Fig.2

Release the diffuser (A) using the hooks (B).

WARNING! When installing and whenever acting on the appliance, ensure that the power supply has been switched off. For the installation of the spare-part, it is necessary to consult a qualified electrician.

BELLHOP WALL UP
FU108009

EN

RF1080200 LED CHIP BOARD

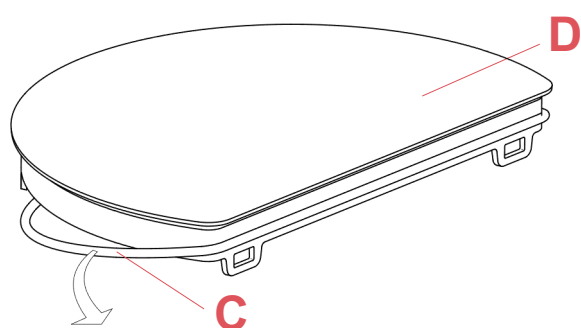


Fig.3

Remove the gasket (C) from the diffuser (D).

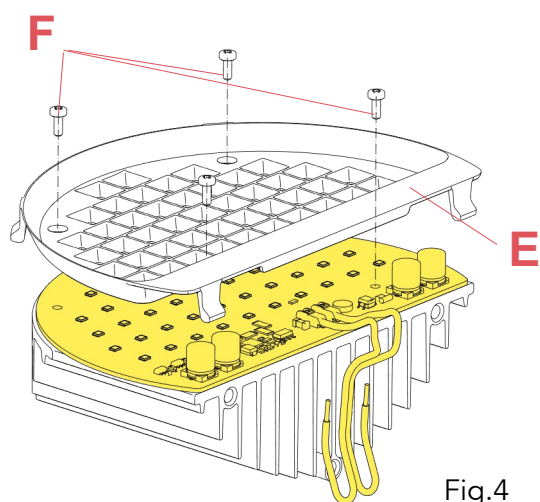


Fig.4

Remove the reflector (E) by unscrewing the 4 screws (F).

WARNING! When installing and whenever acting on the appliance, ensure that the power supply has been switched off. For the installation of the spare-part, it is necessary to consult a qualified electrician.

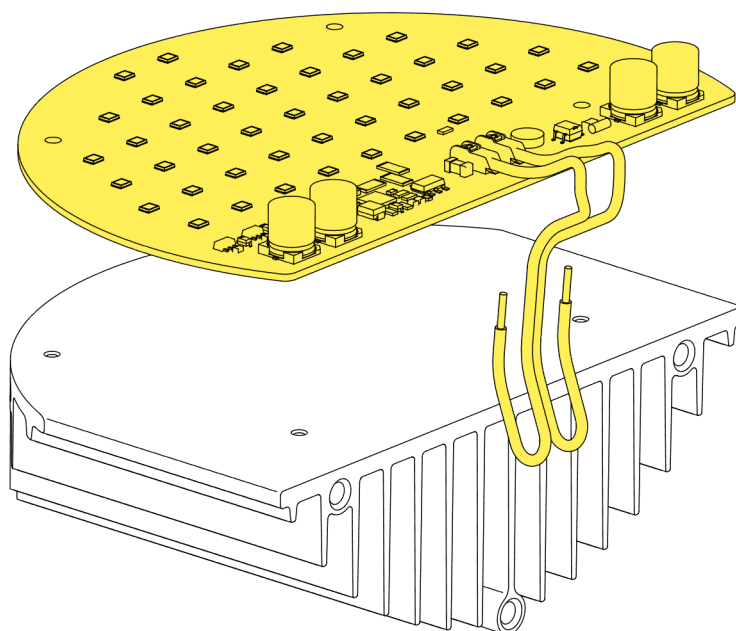
BELLHOP WALL UP
FU108009**EN****RF1080200**
LED CHIP BOARD

Fig.5

Remove the Led chip board.

Assemble now the new spare part.

WARNING! When installing and whenever acting on the appliance, ensure that the power supply has been switched off.
For the installation of the spare-part, it is necessary to consult a qualified electrician.