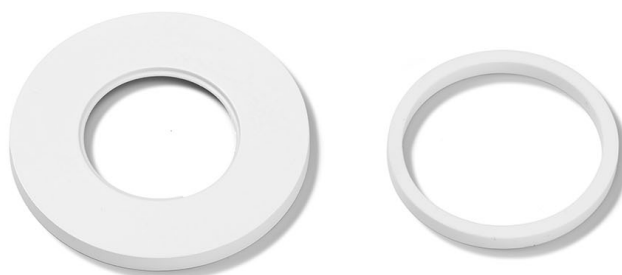


RF4190300

Ring nut & gasket kit



WARNING! When installing and whenever acting on the appliance, ensure that the power supply has been switched off.
For the installation of the spare-part, it is necessary to consult a qualified electrician.

RF4190300

Ring nut & gasket kit

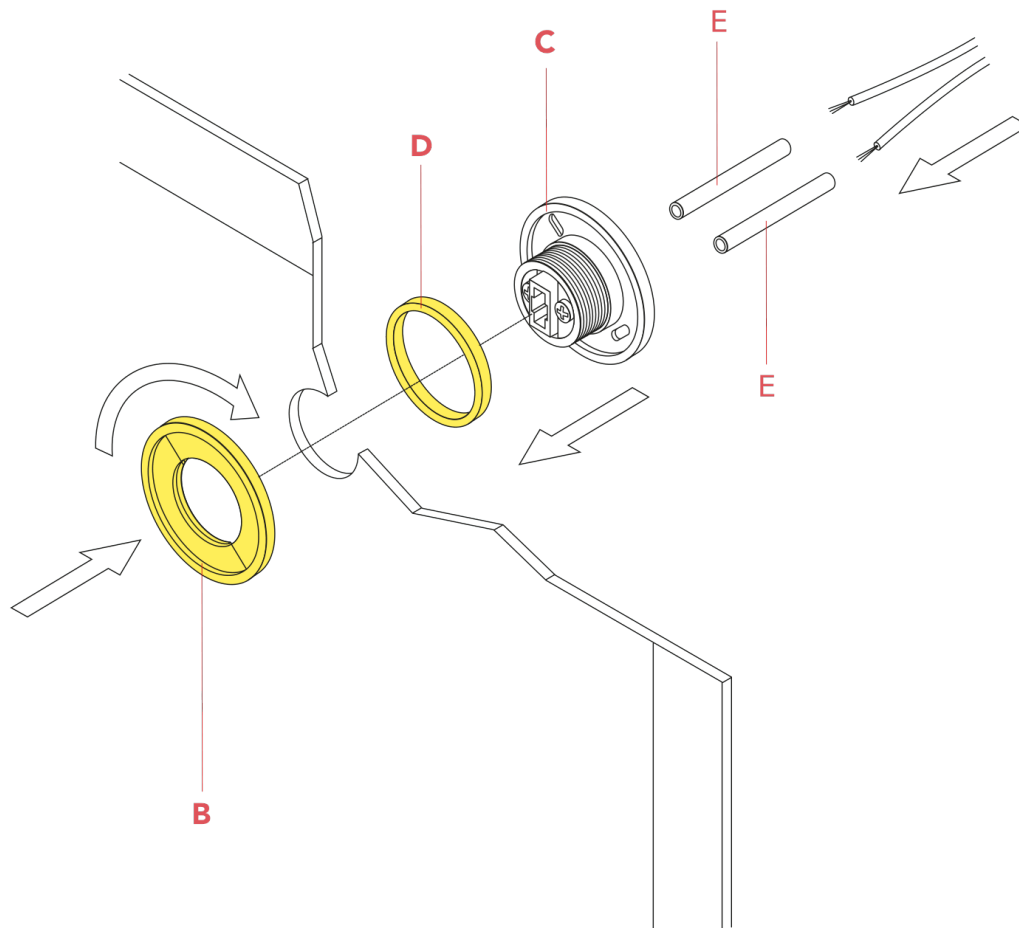


Fig.1

Sheath the feed wires with the provided sheaths (E). Connect the electrical wires in the light bulb holder making sure to connect them correctly in respect of the poles (L = Phase, N = Neutral); fix the body (C) to the mirror screwing the metal ring (B) taking care to position the gasket (D) onto the body itself as indicated in the diagram. Warning: the fixture is suitable for assembly on mirrors with a minimum thickness of 3 mm and a maximum thickness of 6 mm.

WARNING! When installing and whenever acting on the appliance, ensure that the power supply has been switched off. For the installation of the spare-part, it is necessary to consult a qualified electrician.