

## RF0090109

Aim/Aim Small Ceiling attachment assembly



WARNING! When installing and whenever acting on the appliance, ensure that the power supply has been switched off.  
For the installation of the spare-part, it is necessary to consult a qualified electrician.

**RF0090109**

Aim/Aim Small Ceiling attachment assembly

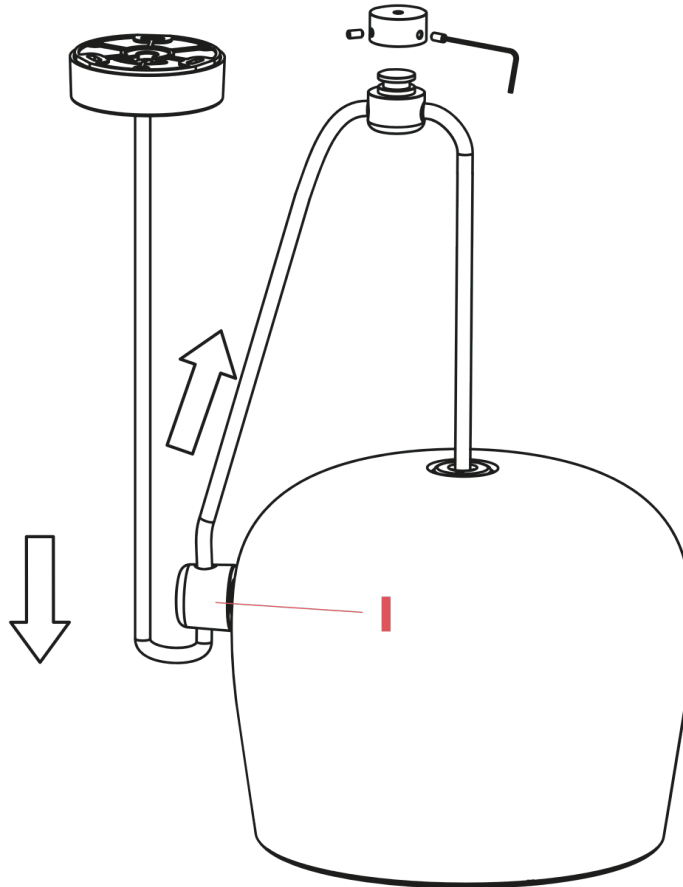


Fig.1

Free the electrical feed cable from the ceiling rose.  
Slide out the electrical feed cable from the cable gland (I).

WARNING! When installing and whenever acting on the appliance, ensure that the power supply has been switched off.  
For the installation of the spare-part, it is necessary to consult a qualified electrician.

**RF0090109**

Aim/Aim Small Ceiling attachment assembly

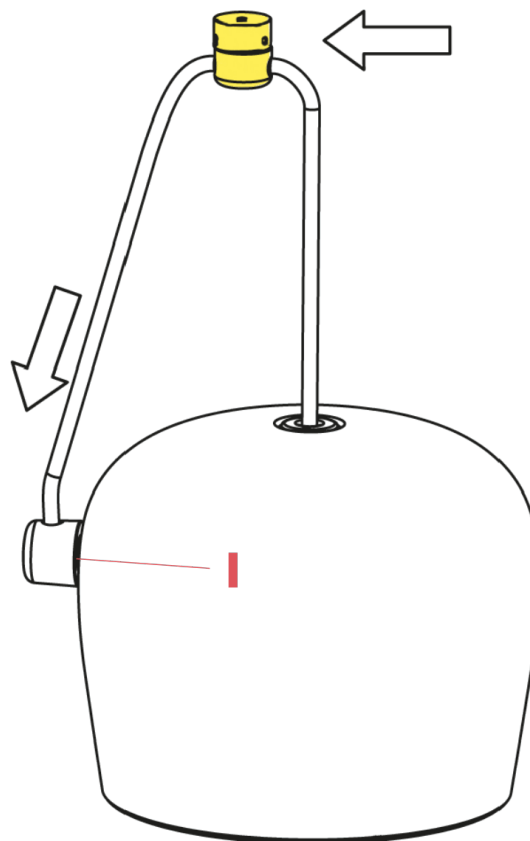


Fig.2

Insert the cable through the hole ceiling attachment (C) and through the cable gland hole (I).

WARNING! When installing and whenever acting on the appliance, ensure that the power supply has been switched off.  
For the installation of the spare-part, it is necessary to consult a qualified electrician.

**RF0090109**

Aim/Aim Small Ceiling attachment assembly

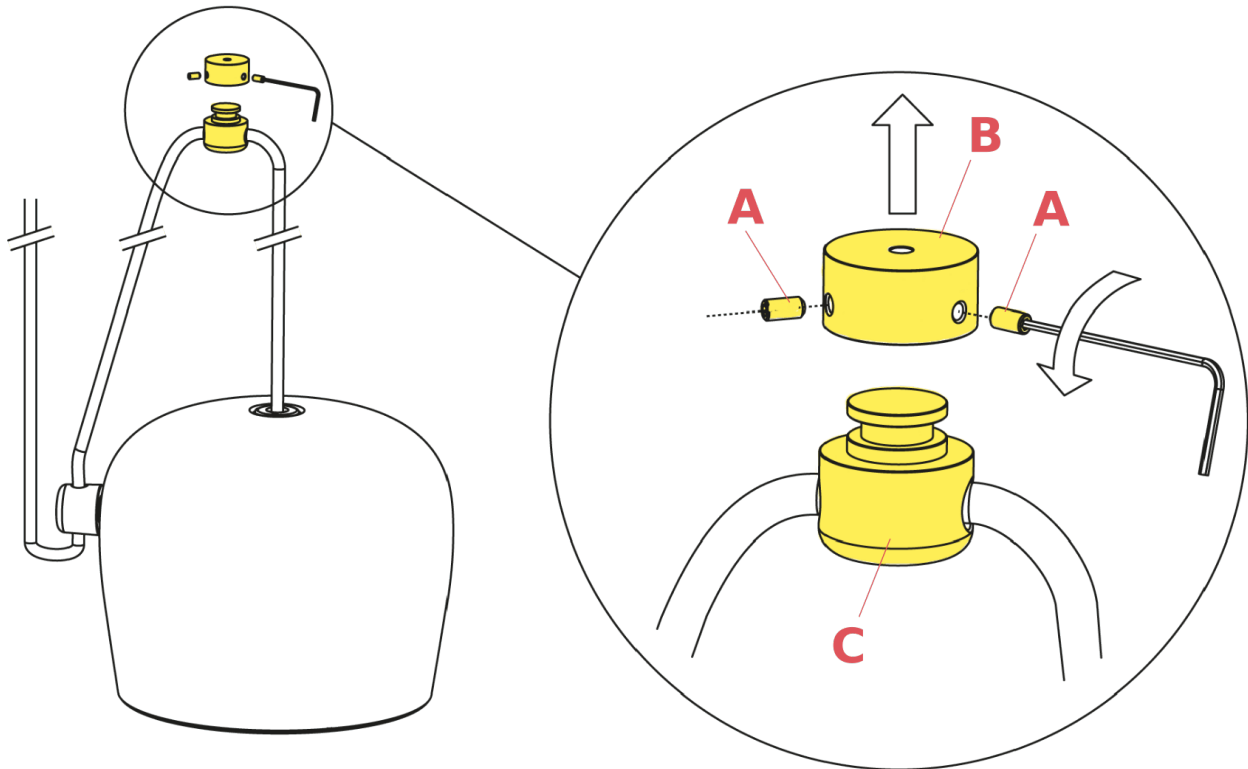


Fig.3

Unfasten the 3 screws (A) of the bearing ceiling attachment (B) by utilizing an Allen key and separate it from the cable gland (C).

WARNING! When installing and whenever acting on the appliance, ensure that the power supply has been switched off.  
For the installation of the spare-part, it is necessary to consult a qualified electrician.

**RF0090109**

Aim/Aim Small Ceiling attachment assembly

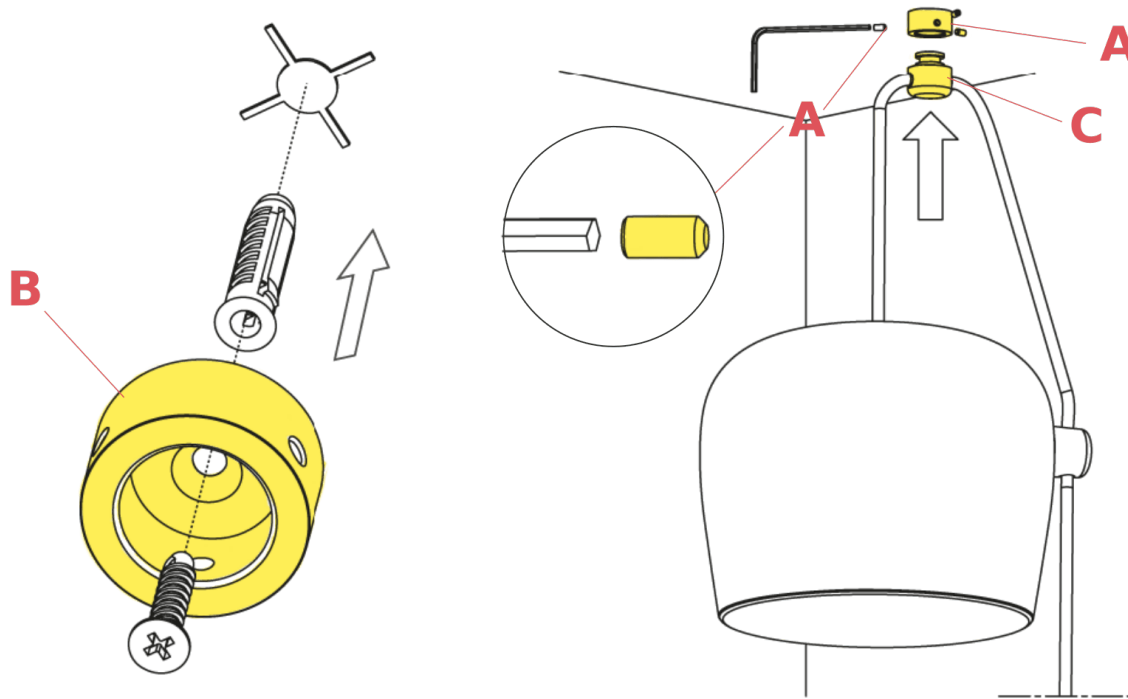


Fig.4

Fix the bearing ceiling attachment (B) to the desired point of the ceiling with screws and plugs.

NOTE: utilize screws and plugs suitable for the mounting surface.

Assemble the cable gland (C) to the ceiling attachment (B) and lock it with the 3 screws (A).

Connect back the electrical cable to the terminal present in the ceiling rose respecting the wire polarities.

WARNING! When installing and whenever acting on the appliance, ensure that the power supply has been switched off.  
For the installation of the spare-part, it is necessary to consult a qualified electrician.