

RF0303400

Arco Led Small inox channel with grid and led



WARNING! When installing and whenever acting on the appliance, ensure that the power supply has been switched off.
For the installation of the spare-part, it is necessary to consult a qualified electrician.

RF0303400

Arco Led Small inox channel with grid and led

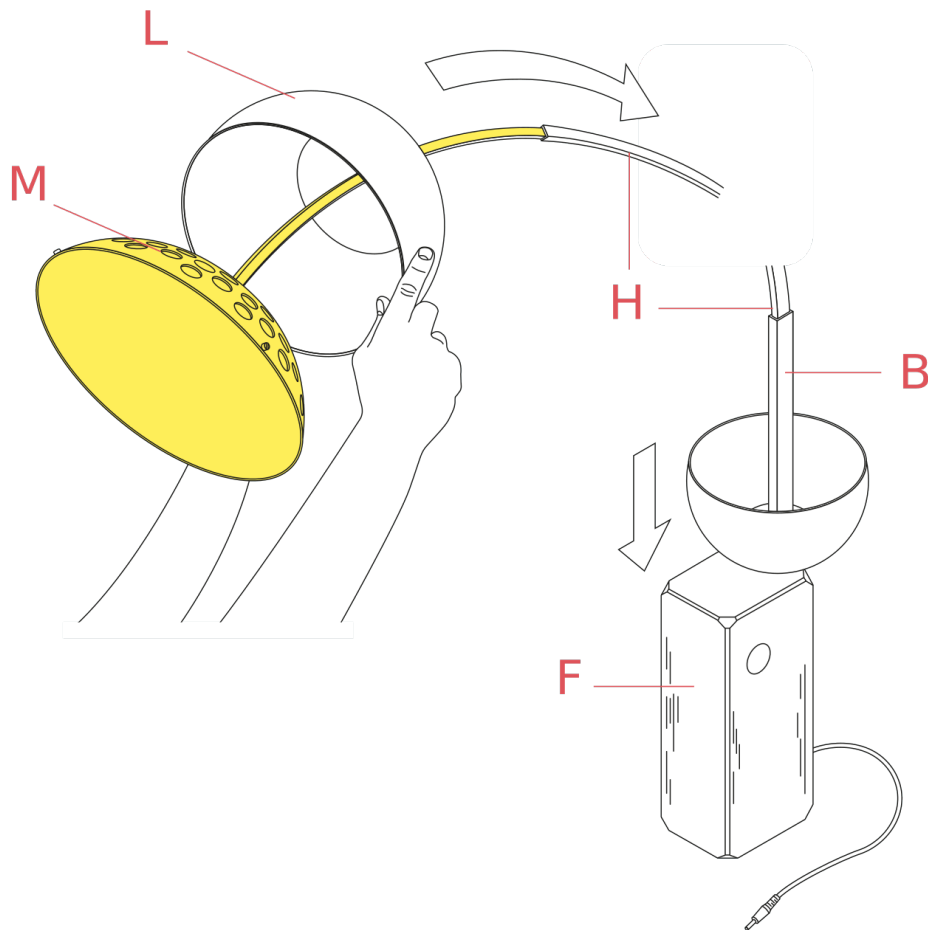


Fig.1

Lift the damaged reflector (L) from the grid (M) by sliding it along the channel (H) and the stem (B) and lean it on the top of the marble base (F) of the appliance.

WARNING! When installing and whenever acting on the appliance, ensure that the power supply has been switched off. For the installation of the spare-part, it is necessary to consult a qualified electrician.

RF0303400

Arco Led Small inox channel with grid and led

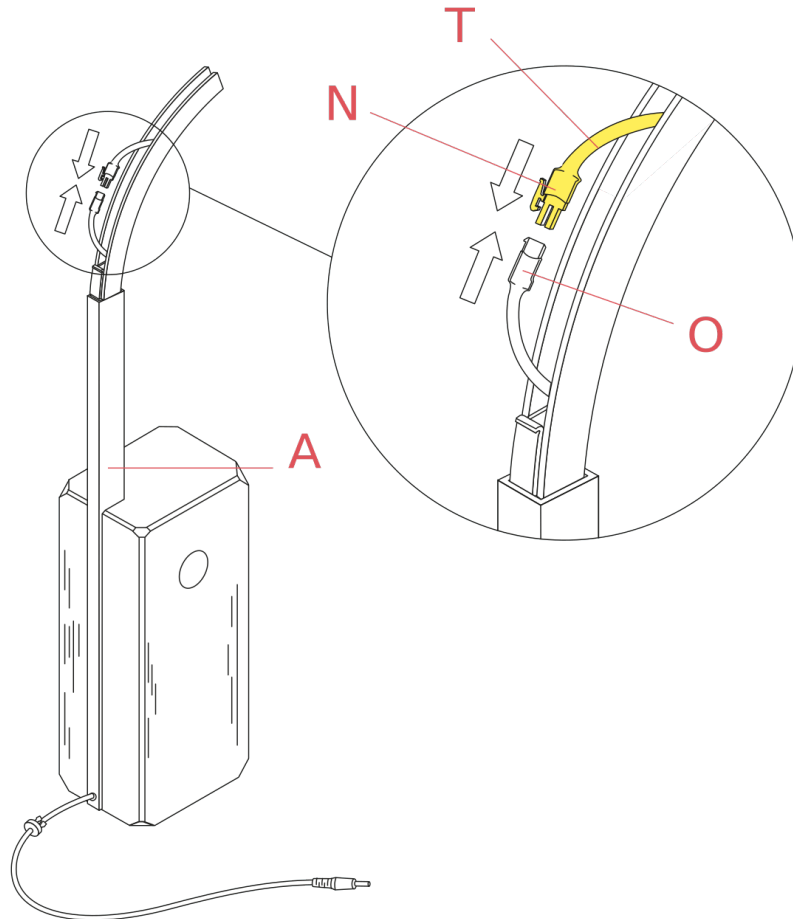


Fig.2

Disconnect the connector (N) from the connector (O) of the cable that comes from the stem (B).

WARNING! When installing and whenever acting on the appliance, ensure that the power supply has been switched off. For the installation of the spare-part, it is necessary to consult a qualified electrician.

RF0303400

Arco Led Small inox channel with grid and led

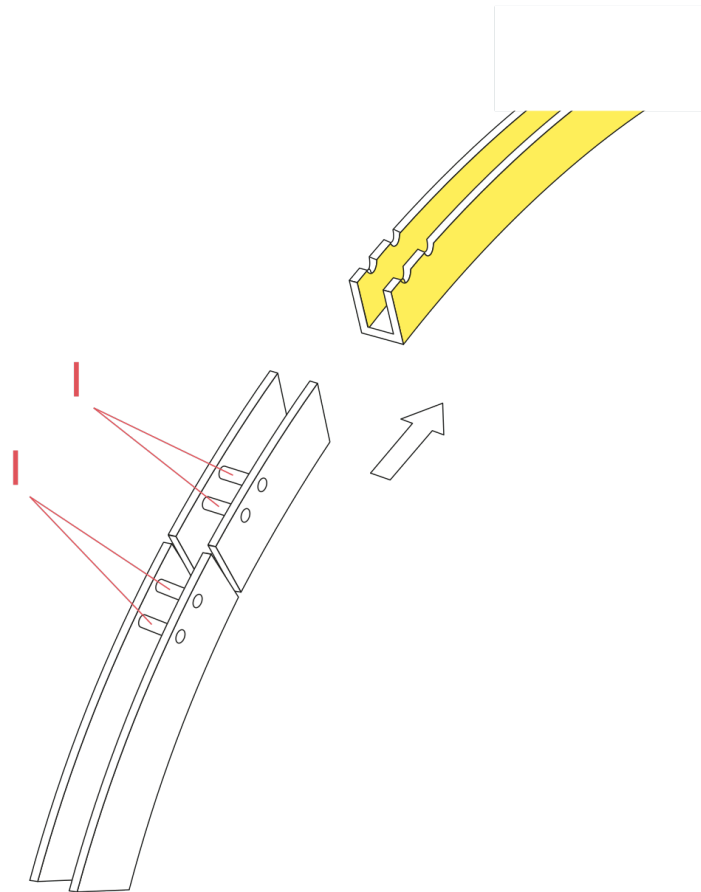


Fig.3

Unhook the channel with the grid assembly from the pins (I).

WARNING! When installing and whenever acting on the appliance, ensure that the power supply has been switched off.
For the installation of the spare-part, it is necessary to consult a qualified electrician.

RF0303400

Arco Led Small inox channel with grid and led

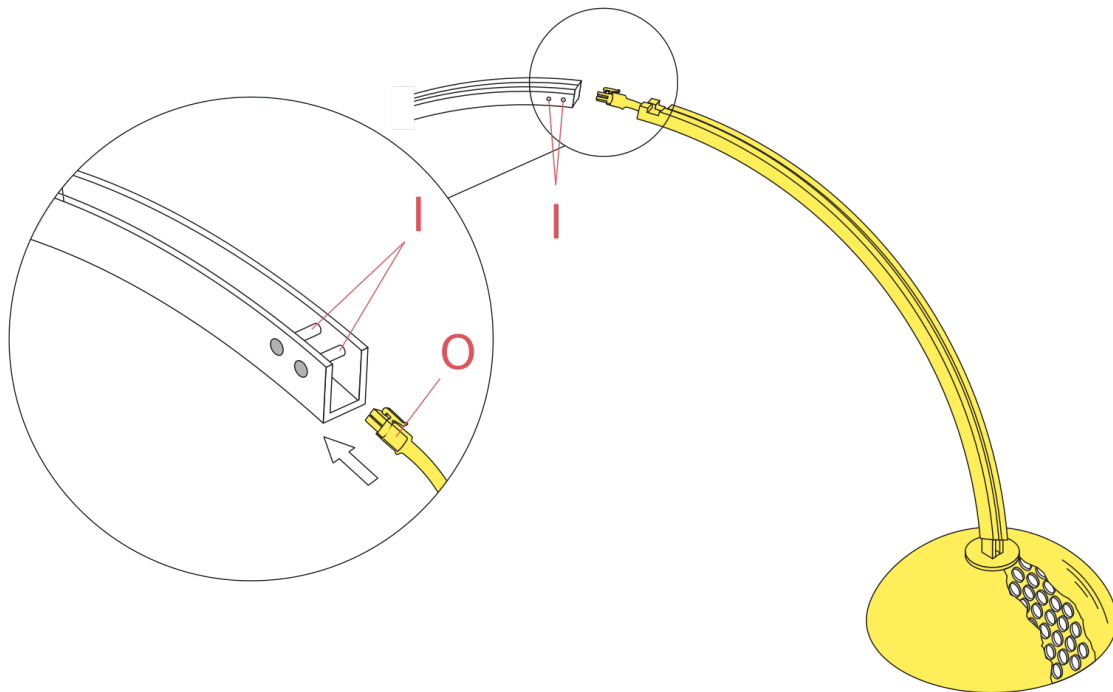


Fig.4

Slide out the electrical cable from the channel and remove the channel with the grid.
ATTENTION! Do not damage the connector (O) and cable whilst sliding it out from the pins (I).

Assemble now the new spare-part:

Insert the cable with the connector (O) underneath the pins (I)
and slide it through the channel.

WARNING! When installing and whenever acting on the appliance, ensure that the power supply has been switched off.
For the installation of the spare-part, it is necessary to consult a qualified electrician.

RF0303400

Arco Led Small inox channel with grid and led

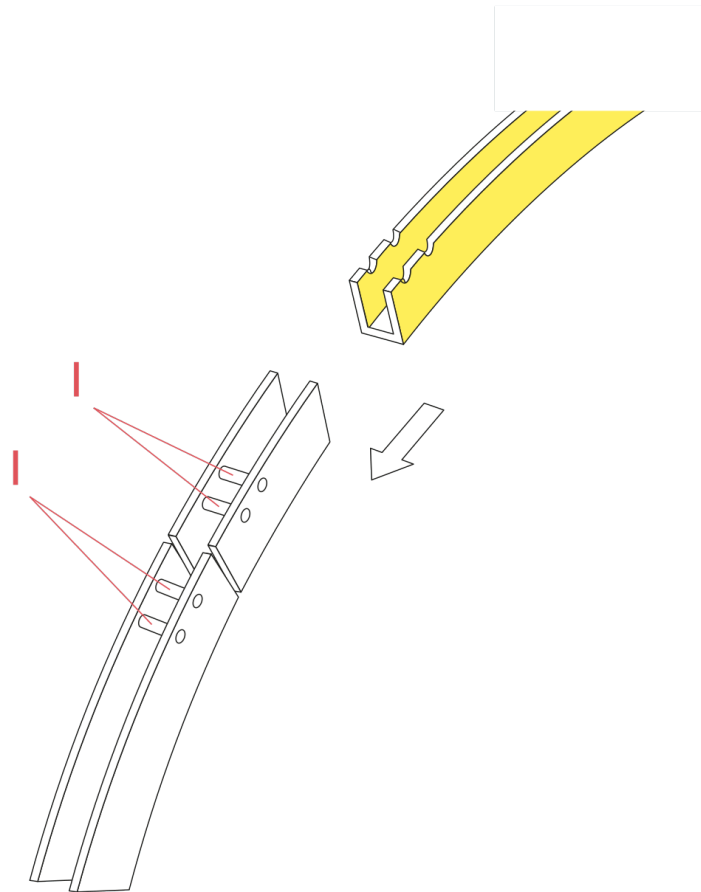


Fig.5

Joint the channel together through the pins (I) according to the desired position.

After having positioned carefully the electric cable (T) on the bottom channel, connect the connector (N) to connector (O) of the cable coming from the stem (B).(Fig.3 page 48)

Collocate the reflector (L) on the grid (M) by sliding it through the stem (B) and through the channels of the appliance.(Fig.1 page 46)

WARNING! When installing and whenever acting on the appliance, ensure that the power supply has been switched off.
For the installation of the spare-part, it is necessary to consult a qualified electrician.