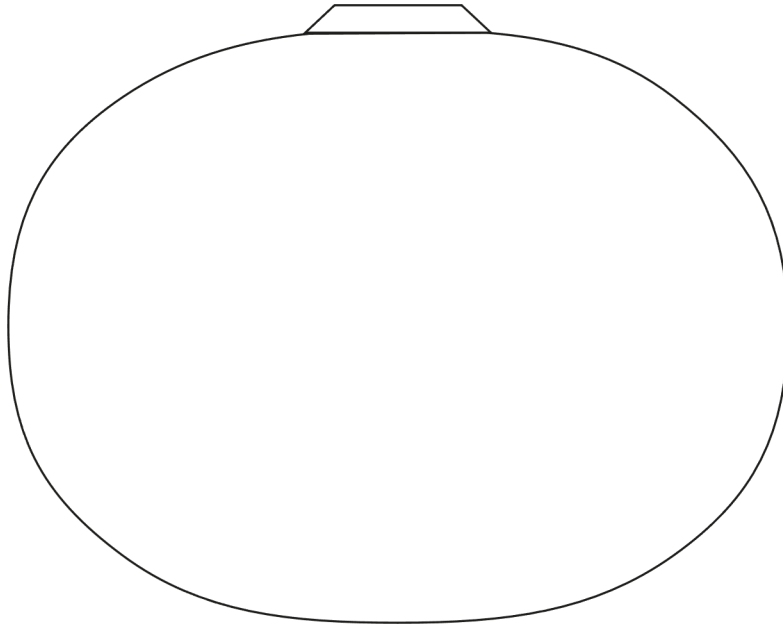


GLO-BALL C2

Designed by Jasper Morrison, 1999

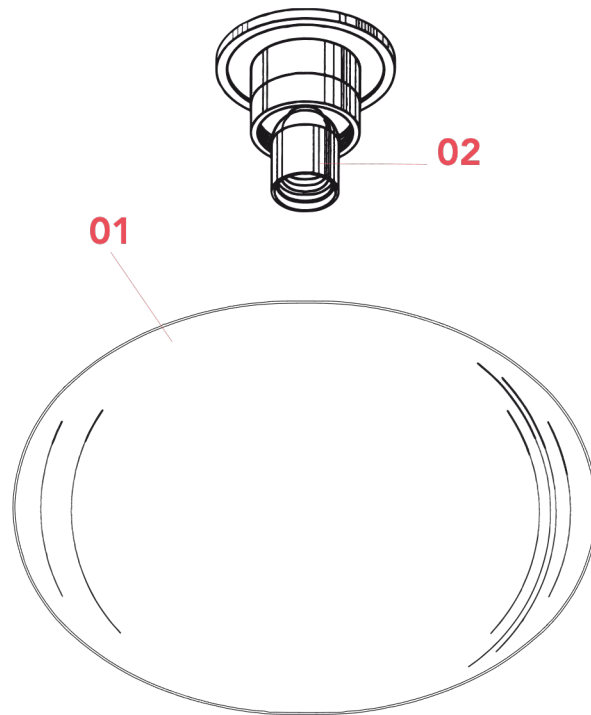
F3028000



GLO-BALL C2

F3028000

EN



01. F3055061 – White diffuser 2

02. RF2500200 – Lamp holder assembly

GLO-BALL C2 F3028000

EN

F3055061

WHITE/GREY DIFFUSER 2



Glo-
ball
Basic 2
p.03



Glo-
ball C2
p.03



Glo-
ball F3
p.03

WARNING! When installing and whenever acting on the appliance, ensure that the power supply has been switched off.
For the installation of the spare-part, it is necessary to consult a qualified electrician.

GLO-BALL C2 F3028000

EN

F3055061

WHITE/GREY DIFFUSER 2

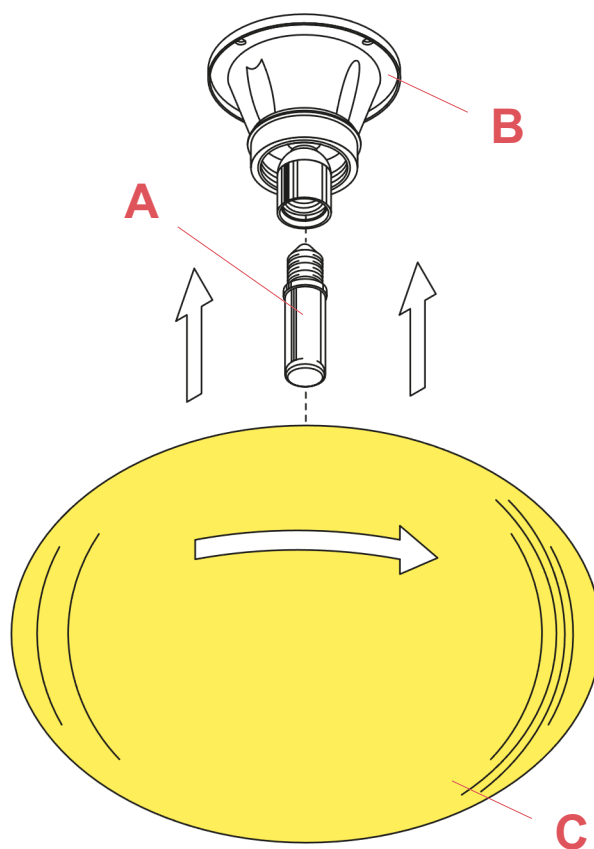


Fig.1

Insert the bulb (A). Position the diffuser (C) on the support (D) and secure it, turning it clockwise.

WARNING! When installing and whenever acting on the appliance, ensure that the power supply has been switched off.
For the installation of the spare-part, it is necessary to consult a qualified electrician.

GLO-BALL C2 F3028000

EN

RF2500200

LAMP HOLDER ASSEMBLY



Frisbi
p.15



Glo-ball
Basic 1
p.08



Glo-ball
Basic 2
p.08



Glo-ball
C1
p.05



Glo-ball
C2
p.05



Glo-ball
F1
p.09



Glo-ball
F2
p.09



Glo-ball
F3
p.09



Glo-ball
S1
p.05



Glo-ball
T1
p.05

WARNING! When installing and whenever acting on the appliance, ensure that the power supply has been switched off.
For the installation of the spare-part, it is necessary to consult a qualified electrician.

GLO-BALL C2 F3028000

EN

RF2500200

LAMP HOLDER ASSEMBLY

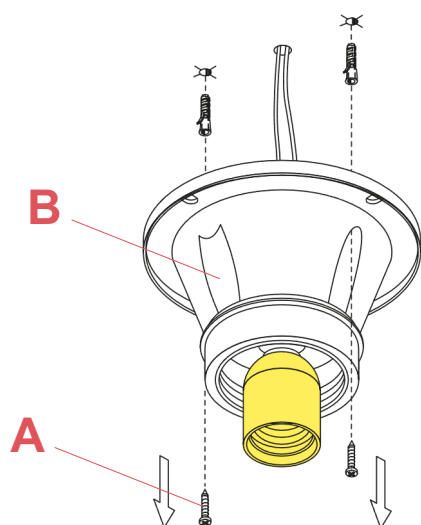


Fig.1

It is necessary to remove the lamp assembly (B) from the ceiling by unfasten the two fixing screws (A).

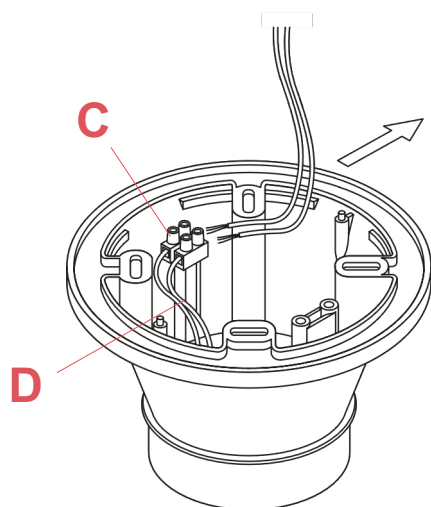


Fig.2

Cut-off the cable tie (D) and disconnect the wires from the terminal box (C).

WARNING! When installing and whenever acting on the appliance, ensure that the power supply has been switched off. For the installation of the spare-part, it is necessary to consult a qualified electrician.

GLO-BALL C2 F3028000

EN

RF2500200

LAMP HOLDER ASSEMBLY



Fig.3

Turn the assembly around.

Remove the lamp holder.

Insert a flat headed screw driver inside the opening of the lateral clamp and unhook the lamp holder (D) from the support. Repeat the same operation also for the opposite side.



Fig.4

Remove the lamp holder from its support and disconnect the electrical wires by pressing the push terminals with a paper clip (E) or something similar.

WARNING! When installing and whenever acting on the appliance, ensure that the power supply has been switched off. For the installation of the spare-part, it is necessary to consult a qualified electrician.

GLO-BALL C2 F3028000

EN

RF2500200

LAMP HOLDER ASSEMBLY



Fig.5



Fig.6

Cut-off the cable tie (F) and remove the cable isolator (G) from the electrical cable.

WARNING! When installing and whenever acting on the appliance, ensure that the power supply has been switched off. For the installation of the spare-part, it is necessary to consult a qualified electrician.

GLO-BALL C2 F3028000

EN

RF2500200

LAMP HOLDER ASSEMBLY



Fig.7



Fig.8



Fig.9



Fig.10

Unfasten the locking screw (H) by utilizing a tiny flat headed screw driver.

Remove the lamp holder support (I) by unfastening it from the assembly.

Assemble now the new spare-part:

Tighten the lamp holder support (I) onto the assembly and then fasten the locking screw (H) by utilizing a flat headed screw driver.

Insert the isolator (F).

WARNING! When installing and whenever acting on the appliance, ensure that the power supply has been switched off. For the installation of the spare-part, it is necessary to consult a qualified electrician.

GLO-BALL C2 F3028000

EN

RF2500200

LAMP HOLDER ASSEMBLY



Fig.11

Connect the electrical wires to the lamp holder by utilizing always the paper clip. Connect the Brown "L" (live) wire in the terminal that corresponds (opposite side) to the centre brass contact of the lamp holder and then connect the Blue "N" (neutral) wire in the other terminal.

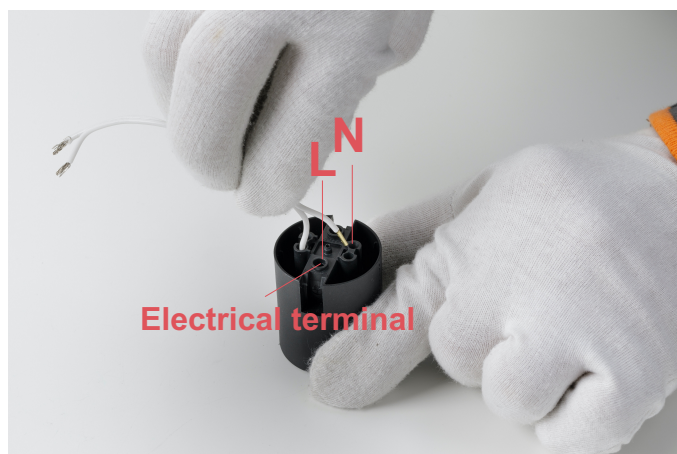


Fig.12

N.B. The electrical wires are connected by pushing the wires inside the terminals, therefore it is necessary to verify that they are connected properly.

Now reassembly the lamp:

Hook the lamp holder (D) on the support (I). Turn the assembly around and connect the electrical wires to the terminal box (C).(Fig.2 page 6)

Fix the lamp assembly (B) by fastening the screws (B). (Fig.1 page 6)

WARNING! When installing and whenever acting on the appliance, ensure that the power supply has been switched off. For the installation of the spare-part, it is necessary to consult a qualified electrician.