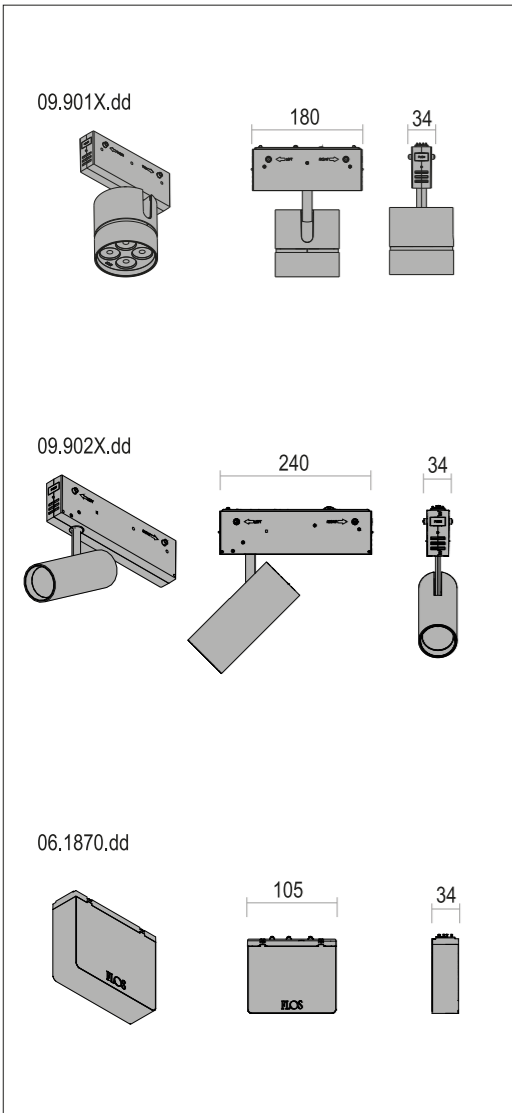


⚠ WARNING Only use with:
“FAST TRACK”

A TECHNICAL DATA
 DATOS TÉCNICOS / DATI TECNICI / TECHNISCHE DATEN / DONNEES
 TECHNIQUES / DADOS TÉCNICOS / テクニカルデータ / 技术数据 /
 ТЕХНИЧЕСКИЕ ДАННЫЕ / ТЕХНИКАЛЫҚ МӨЛІМЕТТЕР / بيانات فنية



LED SPOT				
Ref	L (mm)	Led Power (max.W)	System Power (max. W)	W (kg)
09.901X.dd	34x180	10,8	15	1
09.902X.dd	34x240	23,5	15	0,8
06.1870.dd	34x105	0,25	15	0,2

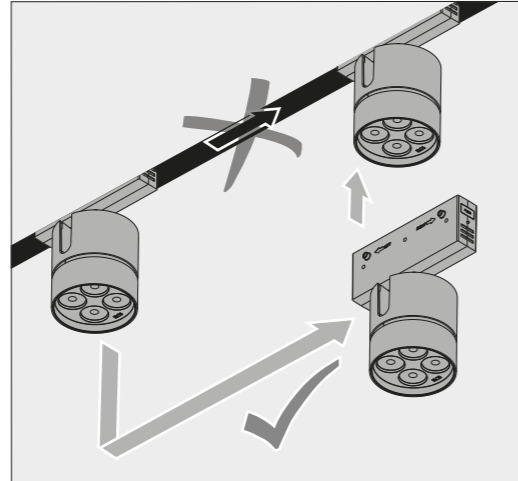
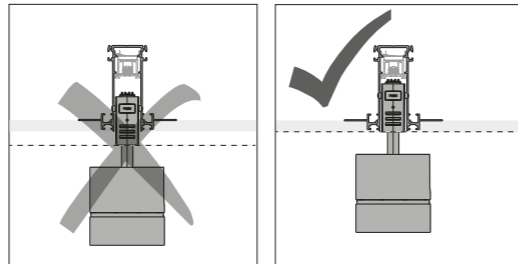
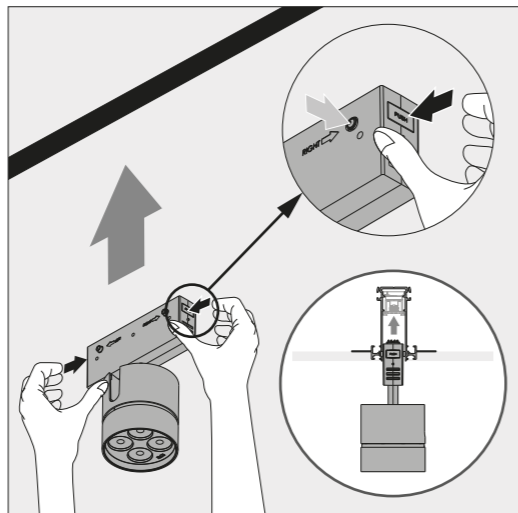
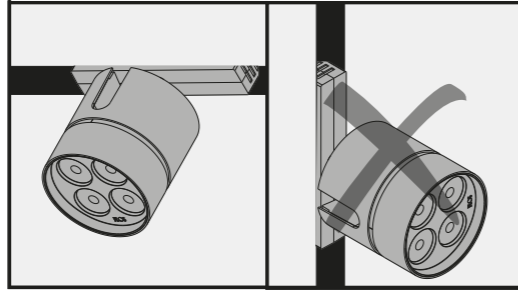
⚠ WARNING!
 Calculate the total power of system output by applying a safety coefficient of %15+ without exceeding the driver's full potential

⚠
 - MAX 8A 48 Vdc.

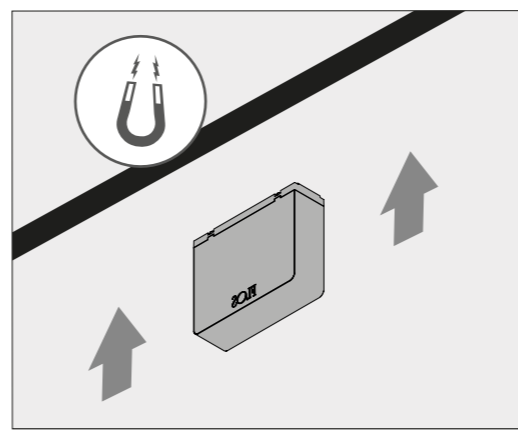
B LUMINAIRE INSTALLATION
 INSTALACIÓN DE LA LUMINARIA / INSTALLAZIONE DELLA LAMPADA /
 INSTALLATION DER BELEUCHTUNG / INSTALLATION DU LUMINAIRE /
 INSTALAÇÃO DO APARELHO DE ILUMINAÇÃO / 照明器具の設置・据付け /
 灯具的安装 / МОНТАЖ ОСВЕТИТЕЛЬНОГО ПРИБОРА /
 ШАМДАЛДЫ ОРНАТУ / تركيب وحدة الإنارة

SPOTS INSTALLATION

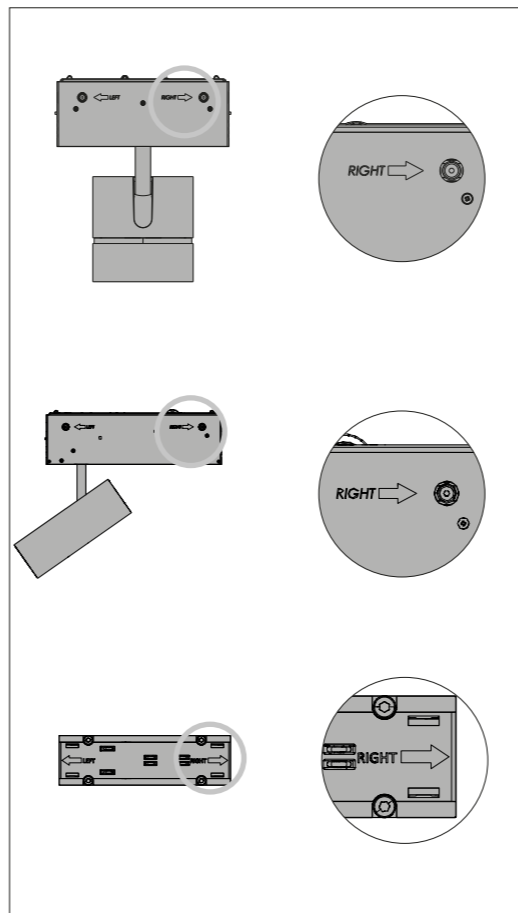
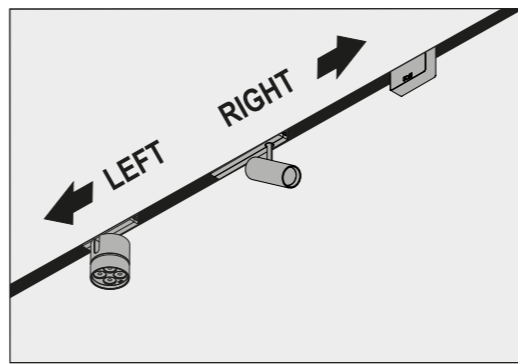
⚠ WARNING:
 Only allowed ceiling installation



GATEWAY INSTALLATION



⚠ WARNING:
 Gateway and spots arrows have to be oriented at the same direction.



⚠ MAXIMUM DISTANCE BETWEEN SPOTS AND GATEWAY
 20m