

RF29875

Steel cable packed 3 pieces mt. 3



WARNING! When installing and whenever acting on the appliance, ensure that the power supply has been switched off.
For the installation of the spare-part, it is necessary to consult a qualified electrician.

RF29875

Steel cable packed 3 pieces mt. 3

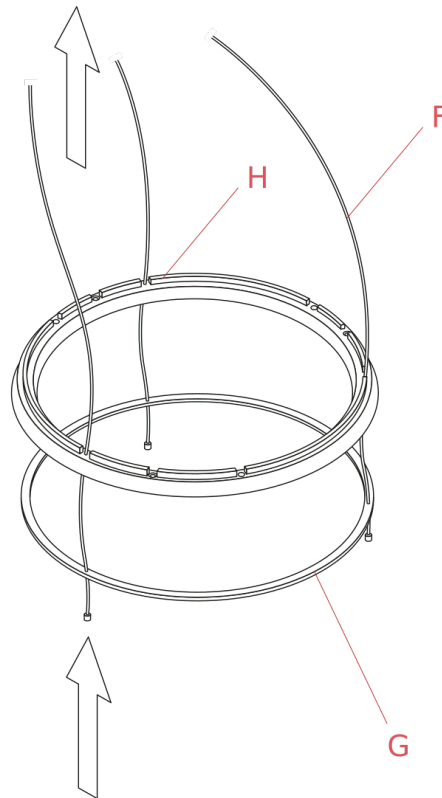


Fig.1

Let the suspension cables (F) go through the steel ring (G) thereafter into the supporting ring (H).

WARNING! When installing and whenever acting on the appliance, ensure that the power supply has been switched off.
For the installation of the spare-part, it is necessary to consult a qualified electrician.

RF29875

Steel cable packed 3 pieces mt. 3

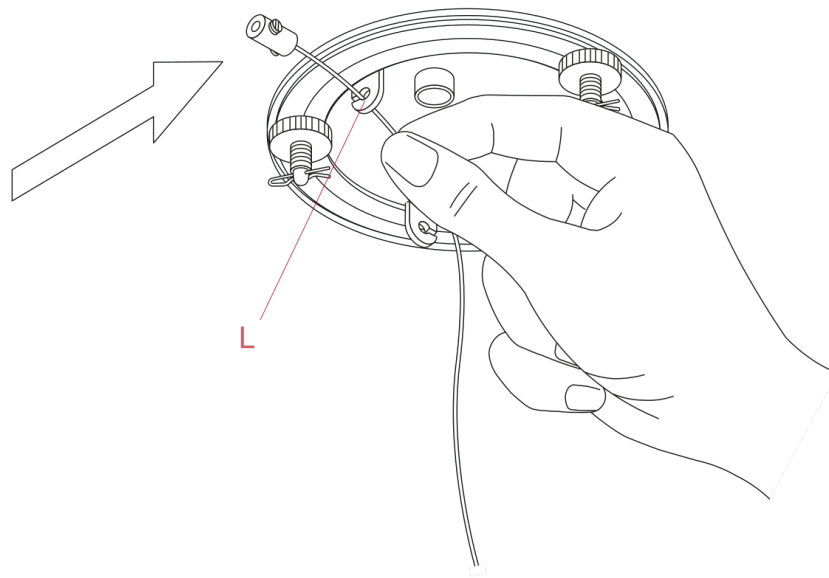


Fig.2

Position the ends of the suspension cables into the holes (L) of the adjusting ring, paying attention to keep the cable stoppers outside the said ring.

WARNING! When installing and whenever acting on the appliance, ensure that the power supply has been switched off.
For the installation of the spare-part, it is necessary to consult a qualified electrician.

RF29875

Steel cable packed 3 pieces mt. 3

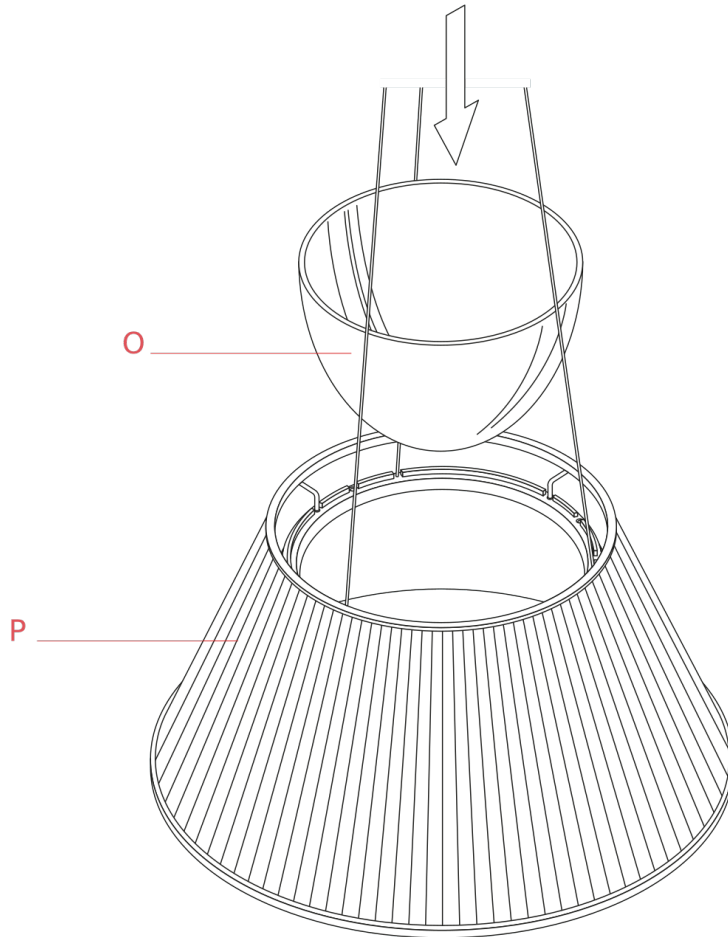


Fig.3

Insert the diffuser (O) in the crown (P).

WARNING! When installing and whenever acting on the appliance, ensure that the power supply has been switched off.
For the installation of the spare-part, it is necessary to consult a qualified electrician.

RF29875

Steel cable packed 3 pieces mt. 3

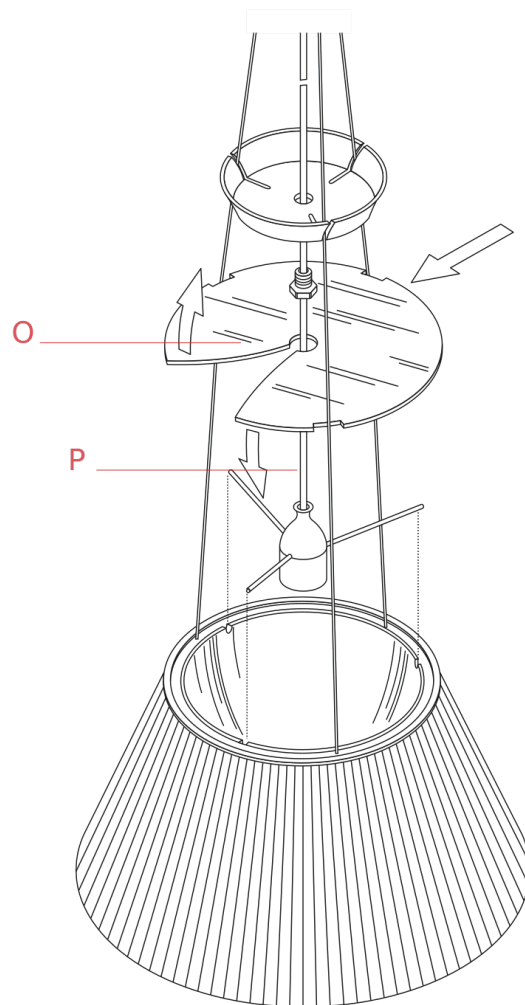


Fig.4

To adjust the length of the power cord (P), disconnect it from the terminal board and cut it to the desired length. Reconnect to the terminal board. Insert the dust shield (Q).

WARNING! When installing and whenever acting on the appliance, ensure that the power supply has been switched off. For the installation of the spare-part, it is necessary to consult a qualified electrician.

RF29875

Steel cable packed 3 pieces mt. 3

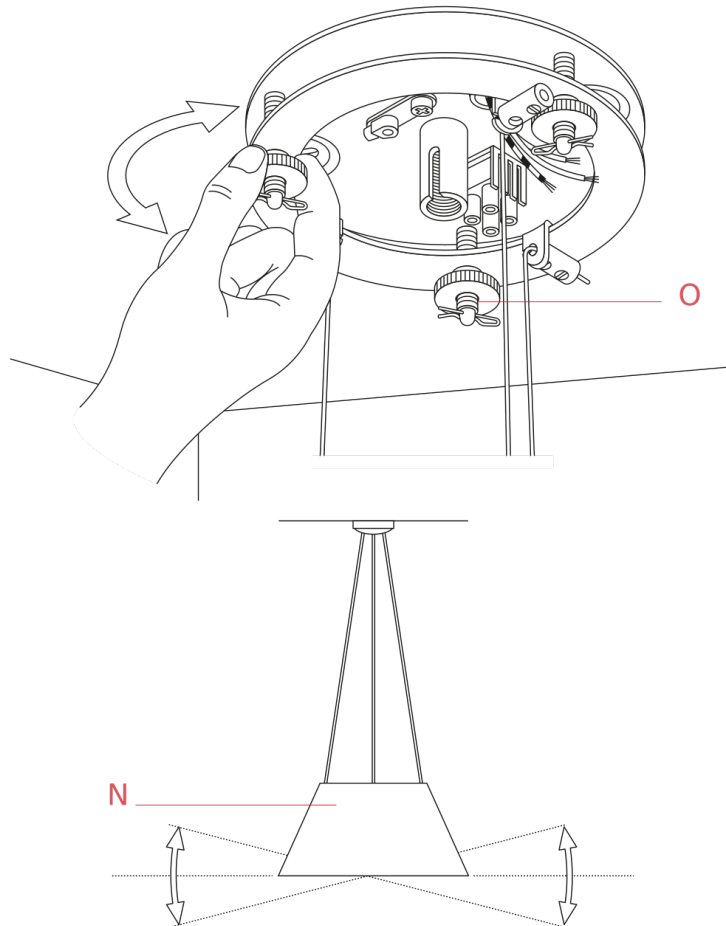


Fig.5

To balance the crown (N), act on the knurled nuts (O).

WARNING! When installing and whenever acting on the appliance, ensure that the power supply has been switched off. For the installation of the spare-part, it is necessary to consult a qualified electrician.

RF29875

Steel cable packed 3 pieces mt. 3

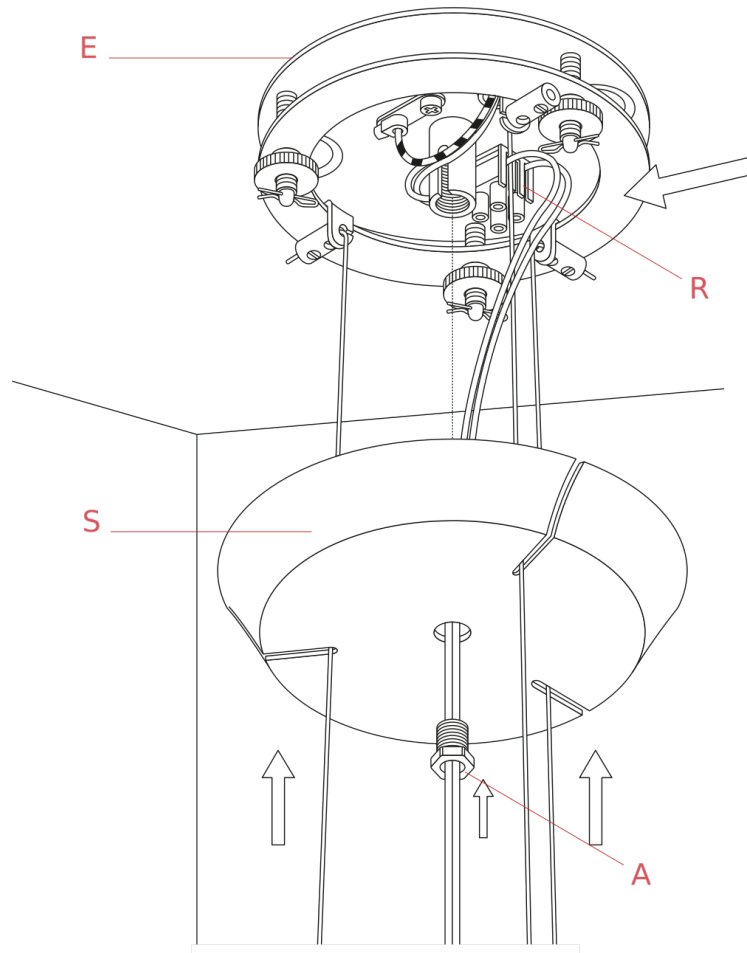


Fig.6

Attach the wires to the terminal board (R). Close the rosette (S) to the wall attachment (E) by fixing with nipple (A).

WARNING! When installing and whenever acting on the appliance, ensure that the power supply has been switched off. For the installation of the spare-part, it is necessary to consult a qualified electrician.