

## RF00797

Polished reflector



WARNING! When installing and whenever acting on the appliance, ensure that the power supply has been switched off.  
For the installation of the spare-part, it is necessary to consult a qualified electrician.

**RF00797**

Polished reflector

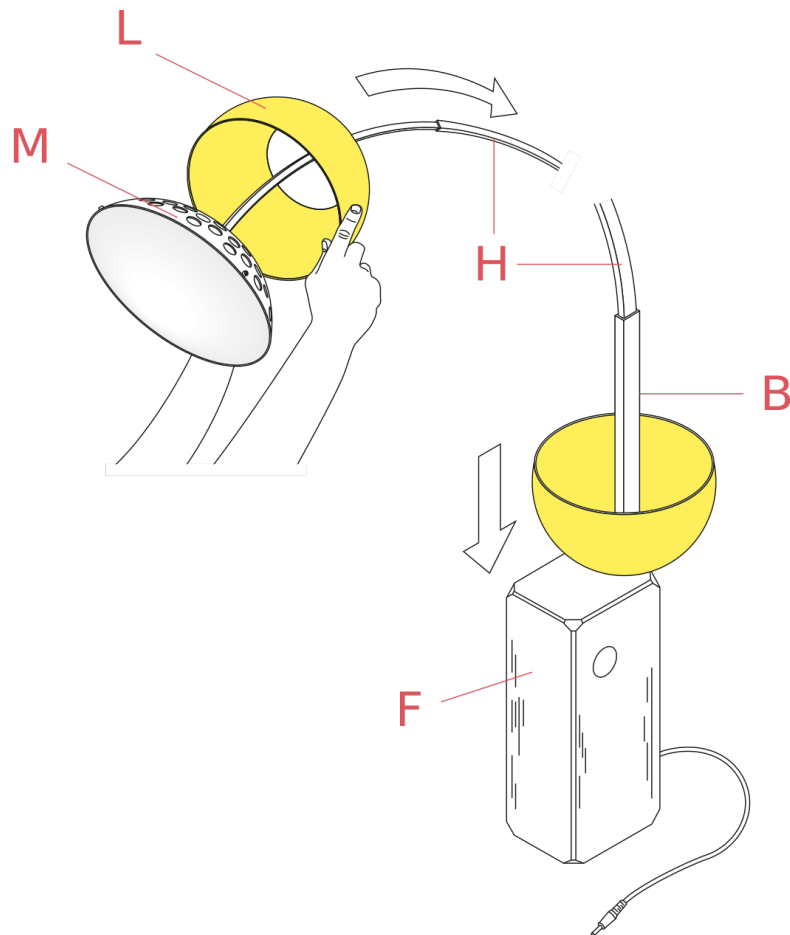


Fig.1

Lock the reflector (L) and grid (M), by screwing the sleeve (O) to the lamp holder (N).

WARNING! When installing and whenever acting on the appliance, ensure that the power supply has been switched off.  
For the installation of the spare-part, it is necessary to consult a qualified electrician.

# RF00797

Polished reflector

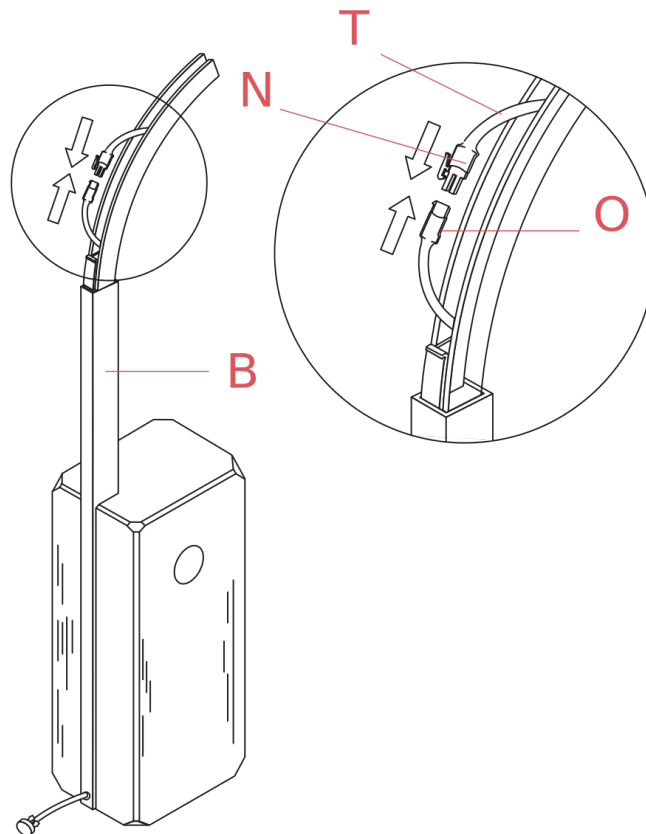


Fig.2

Lift the damaged reflector (L) from the grid (M) by sliding it along the channel (H) and the stem (B) and lean it on the top of the marble base (F) of the appliance.

WARNING! When installing and whenever acting on the appliance, ensure that the power supply has been switched off. For the installation of the spare-part, it is necessary to consult a qualified electrician.

**RF00797**

Polished reflector

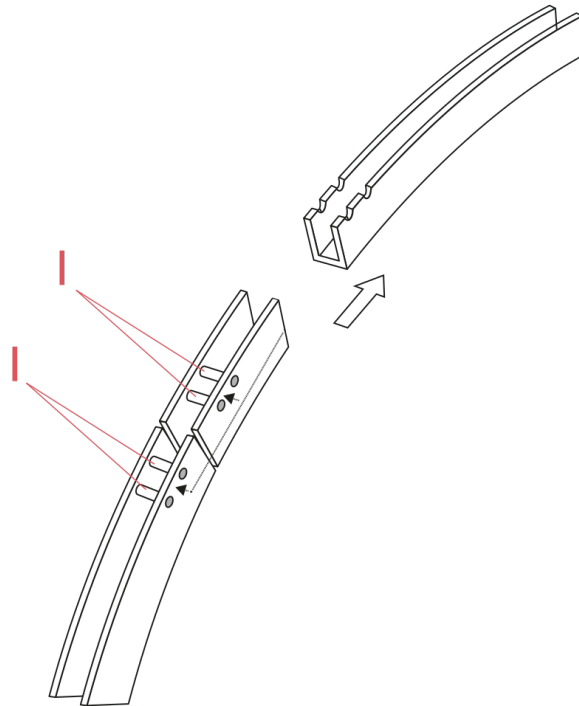


Fig.3

Disconnect the connector (N) from the connector (O) of the cable that comes from the stem (B).

WARNING! When installing and whenever acting on the appliance, ensure that the power supply has been switched off.  
For the installation of the spare-part, it is necessary to consult a qualified electrician.

**RF00797**

Polished reflector

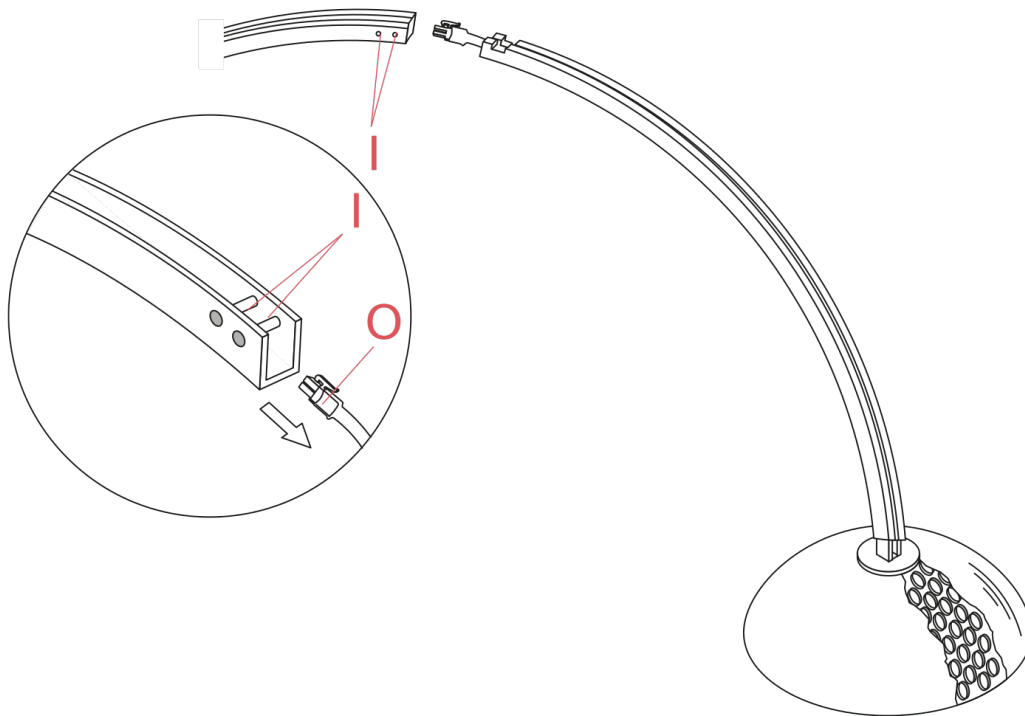


Fig.4

Unhook the channel with the grid assembly from the pins (I).

WARNING! When installing and whenever acting on the appliance, ensure that the power supply has been switched off.  
For the installation of the spare-part, it is necessary to consult a qualified electrician.

**RF00797**

Polished reflector

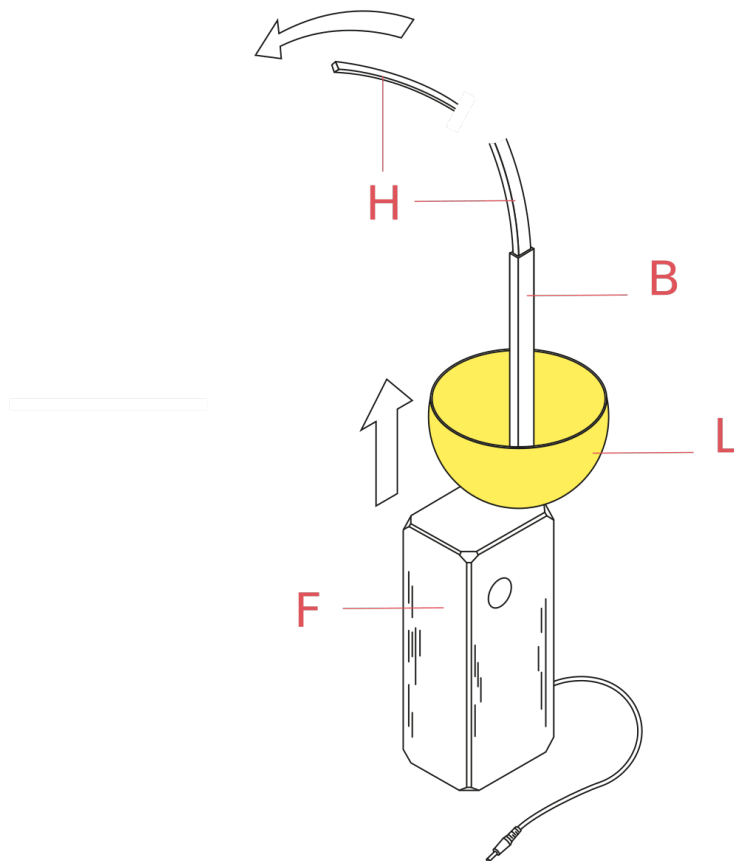


Fig.5

Slide out the electrical cable from the channel and remove the channel with the grid.  
**ATTENTION!** Do not damage the connector (O) and cable whilst sliding it out from the pins (I).

WARNING! When installing and whenever acting on the appliance, ensure that the power supply has been switched off.  
For the installation of the spare-part, it is necessary to consult a qualified electrician.

**RF00797**

Polished reflector

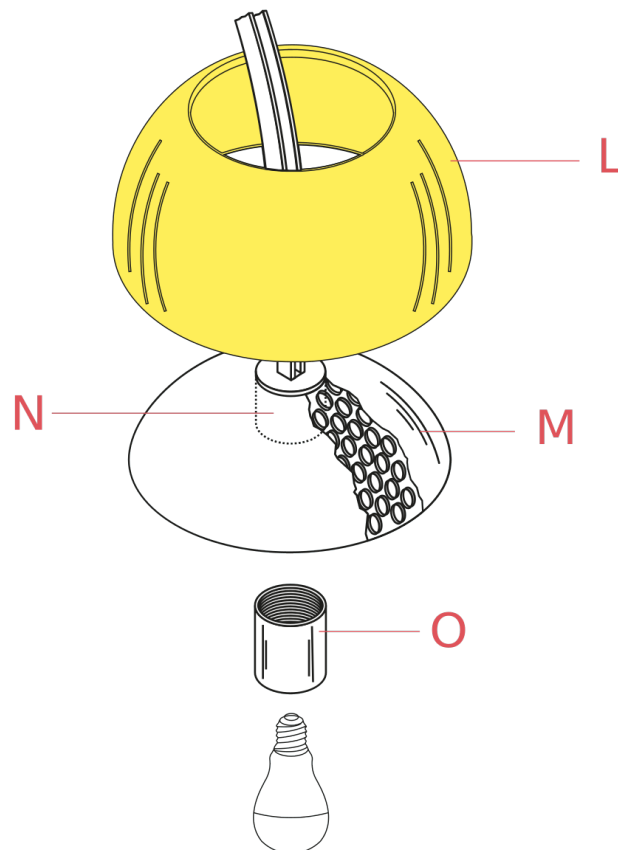


Fig.1

Slide off the damaged reflector (L) from the stem (B) and from the channel (H).

Assemble now the new spare-part:

Insert the new reflector (L) through the channel (H) and through the stem (B).

Lean the reflector on the marble base (F). Insert the cable with the connector (O) underneath the pins (I) and slide it through the channel.

Insert the cable with the connector (O) underneath the pins (I) and slide it through the channel. (Fig.5)

Joint the channel together through the pins (I) according to the desired position. (Fig.4 page 6)

After having positioned carefully the electric cable (T) on the bottom channel, connect the connector (N) to connector (O) of the cable coming from the stem (B). (Fig.3 page 5)

Collocate the reflector (L) on the grid (M) by sliding it through the stem (B) and through the channels of the appliance. (Fig.5)

WARNING! When installing and whenever acting on the appliance, ensure that the power supply has been switched off. For the installation of the spare-part, it is necessary to consult a qualified electrician.