

RF02775

Toio Led Body rod



WARNING! When installing and whenever acting on the appliance, ensure that the power supply has been switched off.
For the installation of the spare-part, it is necessary to consult a qualified electrician.

RF02775

Toio Led Body rod

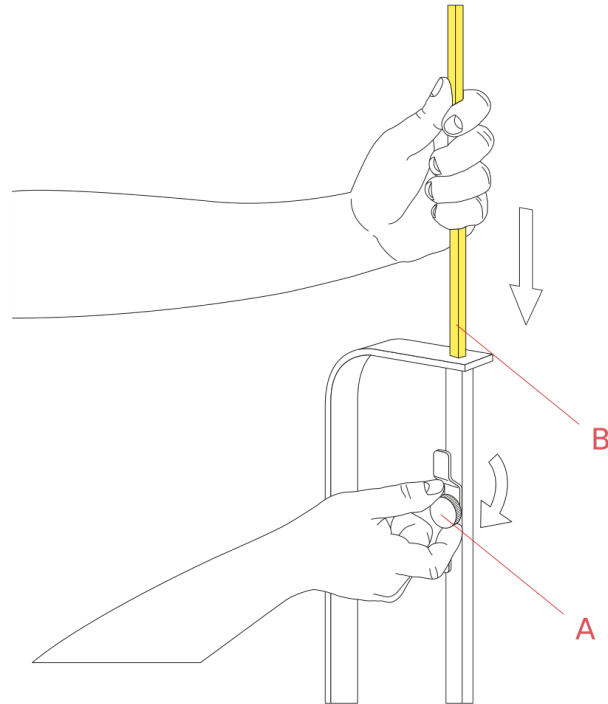


Fig.1

Insert the rod (B) in the lamp base by unfasten the knob (A).

WARNING! When installing and whenever acting on the appliance, ensure that the power supply has been switched off.
For the installation of the spare-part, it is necessary to consult a qualified electrician.

RF02775

Toio Led Body rod

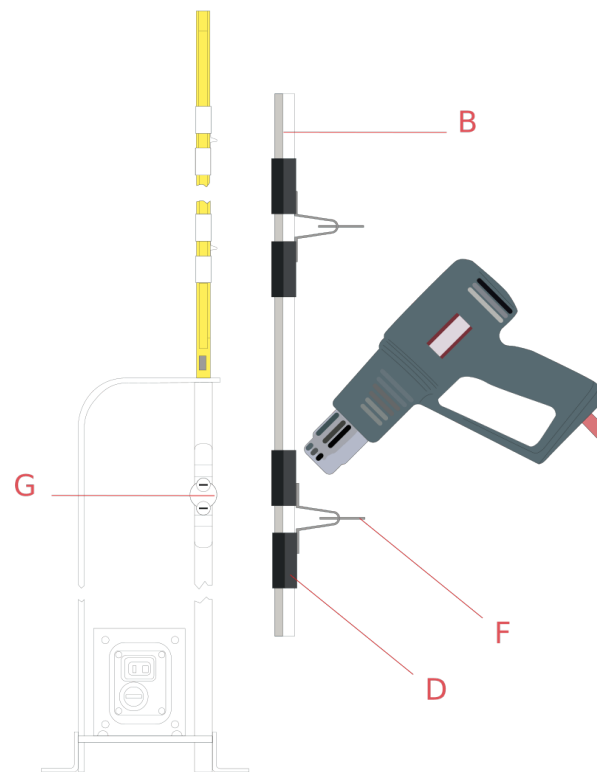


Fig.1

Insert through the rod (B) all the black heat shrink tubes (D).
Collocate the loops (F) between the heat shrink tubes (D) and shrink the tubes (D) by utilizing a heat gun.
REMARK!!! Position the loops (F) facing the left hand side of the rod (B). The loops must stay on the side where present the knob and cable winder (G).

WARNING! When installing and whenever acting on the appliance, ensure that the power supply has been switched off.
For the installation of the spare-part, it is necessary to consult a qualified electrician.

RF02775

Toio Led Body rod

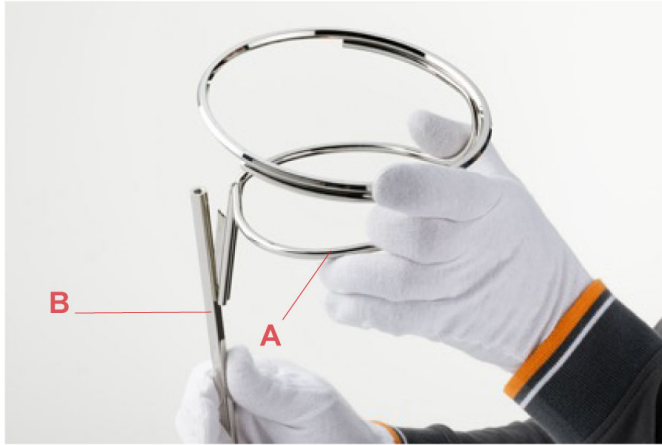


Fig.3



Fig.4

Place the lamp bulb cage (A) on the rod (B), ensuring that the insert (H) present on the cage (A) hooks inside the opening (I) of the rod (B).

WARNING! When installing and whenever acting on the appliance, ensure that the power supply has been switched off.
For the installation of the spare-part, it is necessary to consult a qualified electrician.

RF02775

Toio Led Body rod



Fig.5

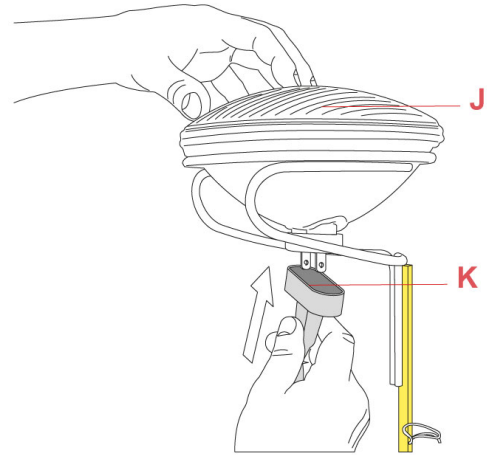


Fig.6

Lock the cage (A) to the rod (B) by fastening the screw (C).

Insert the connector (K) inside the fitting of the lamp-bulb (J).

WARNING! When installing and whenever acting on the appliance, ensure that the power supply has been switched off.
For the installation of the spare-part, it is necessary to consult a qualified electrician.

RF02775

Toio Led Body rod

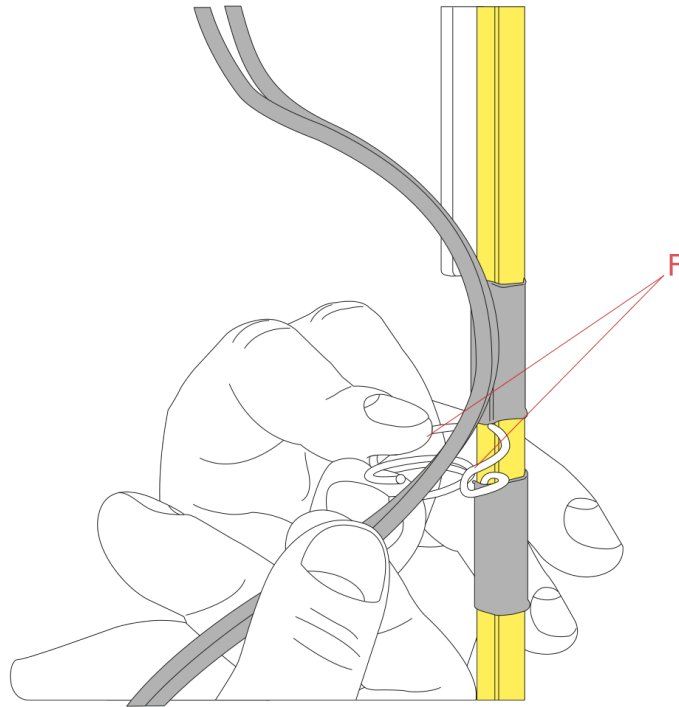


Fig.7

Pass the electrical cable through the cable loops (F).

WARNING! When installing and whenever acting on the appliance, ensure that the power supply has been switched off.
For the installation of the spare-part, it is necessary to consult a qualified electrician.

RF02775

Toio Led Body rod

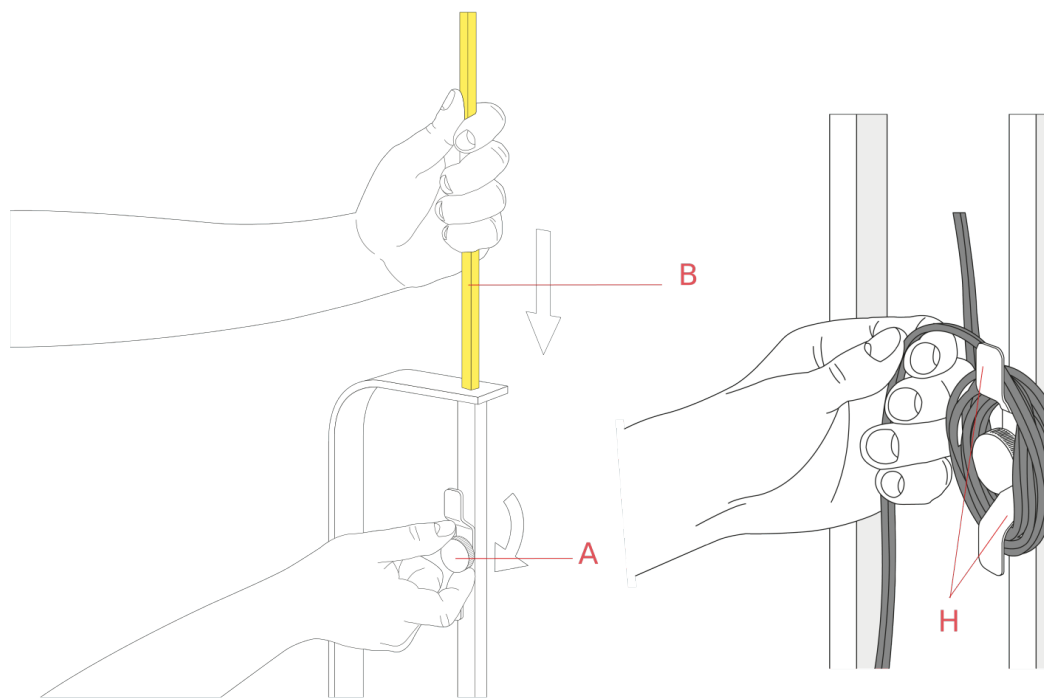


Fig.8

Adjust the height of the rod (B) and then fasten the knob (A).
Wrap the excess cable around the cable winding support (H).

WARNING! When installing and whenever acting on the appliance, ensure that the power supply has been switched off.
For the installation of the spare-part, it is necessary to consult a qualified electrician.