

RF20805

Arco Led Middle electric cable with connectors



WARNING! When installing and whenever acting on the appliance, ensure that the power supply has been switched off.
For the installation of the spare-part, it is necessary to consult a qualified electrician.

RF20805

Arco Led Middle electric cable with connectors

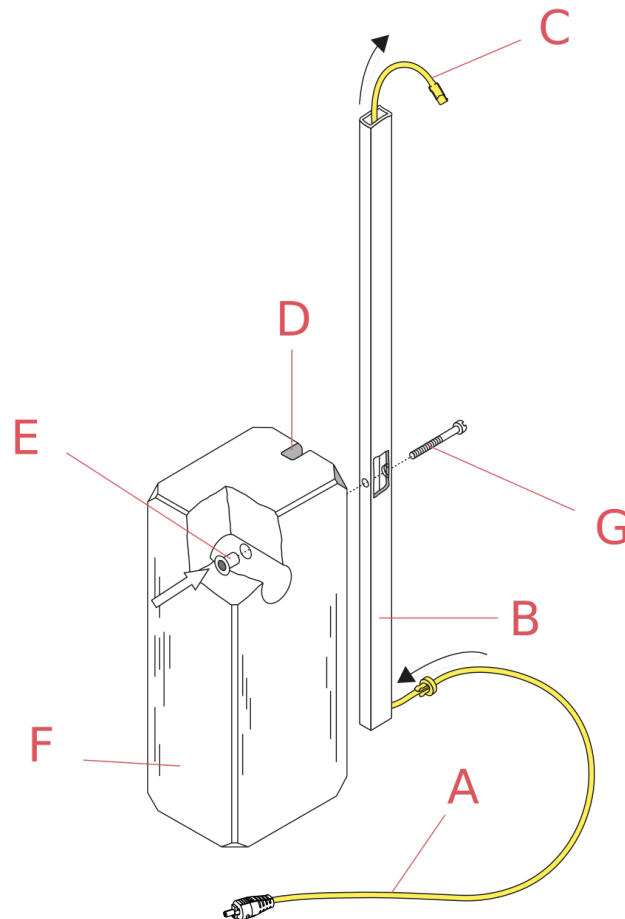


Fig.1

Insert the plug cable (A) through the channel (B) until the connector (C) comes out from the upper part of the channel, as shown in the image. Place the channel (B) in the housing (D), insert the joint (E) into the hole in the base (F), fix the channel (B) to the base (F) with the screw (G) being careful not to damage the cable with the head of the screw.

WARNING! When installing and whenever acting on the appliance, ensure that the power supply has been switched off.
For the installation of the spare-part, it is necessary to consult a qualified electrician.

©2021 Flos - All rights reserved - www.flos.com
Flos reserves the right to introduce any changes to its own models, without prior notice.

RF20805

Arco Led Middle electric cable with connectors

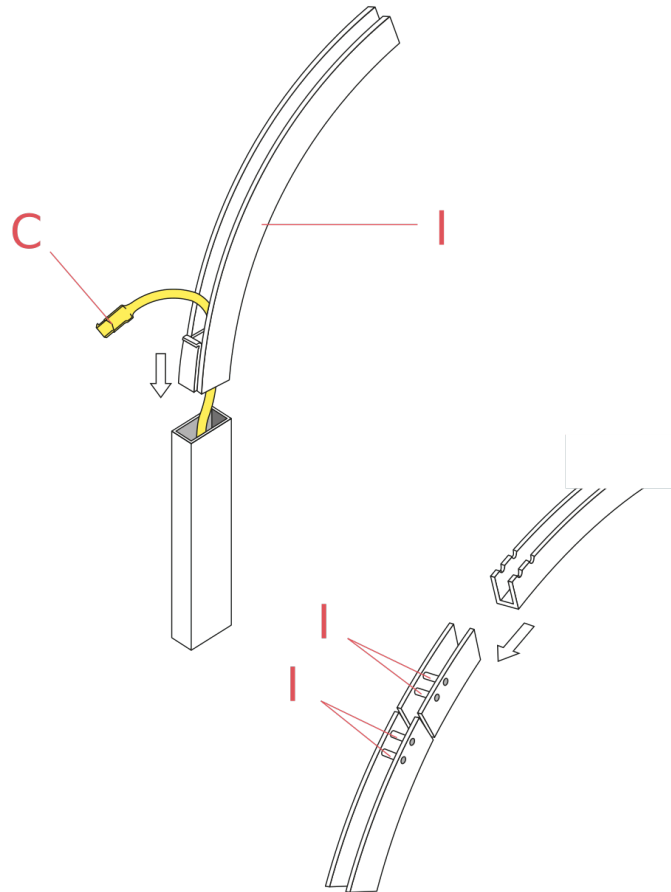


Fig.2

Insert the long channel (H) into the stem (B) paying attention to insert the cable with connector (C) through the hole of the channel (H). Joint together the medium channel with the rollers (I) according to the desired position.

WARNING! When installing and whenever acting on the appliance, ensure that the power supply has been switched off. For the installation of the spare-part, it is necessary to consult a qualified electrician.

RF20805

Arco Led Middle electric cable with connectors

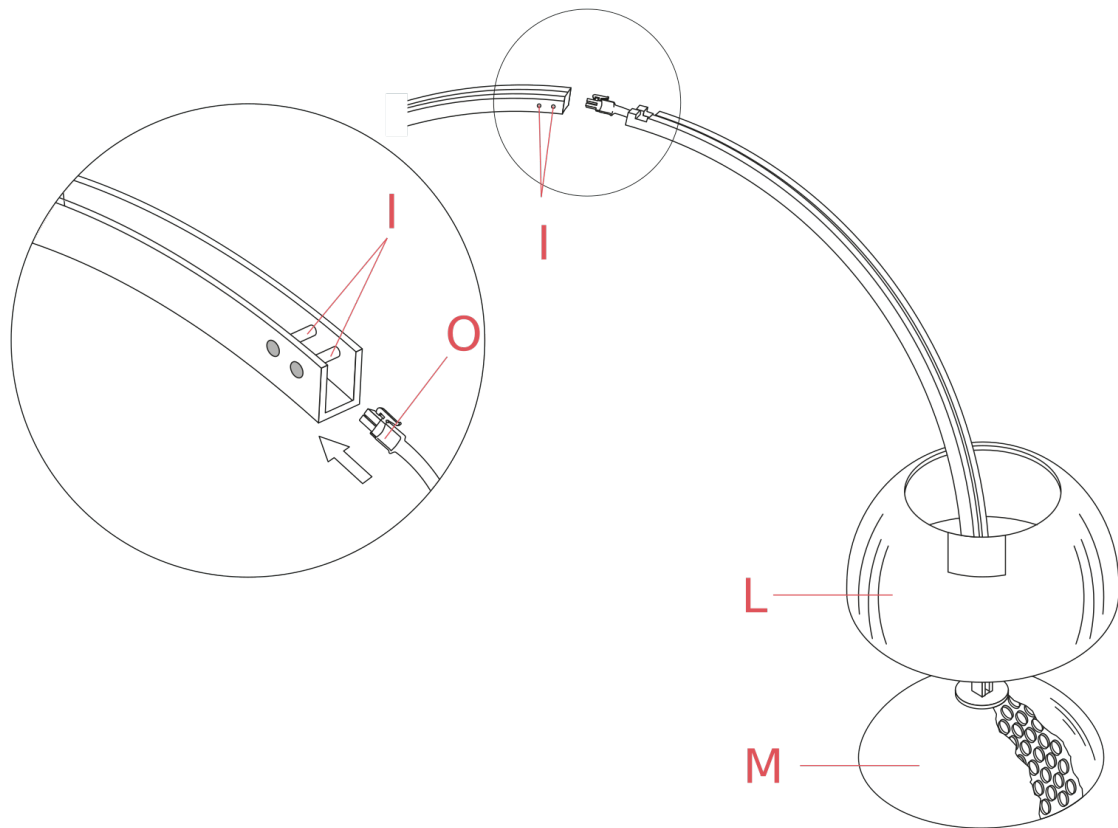


Fig.3

Place the reflector (L) on the grid (M), insert the connector (O) under the rollers (I) of the medium conduit and secure the small channel to the rollers (I).

WARNING! When installing and whenever acting on the appliance, ensure that the power supply has been switched off. For the installation of the spare-part, it is necessary to consult a qualified electrician.

RF20805

Arco Led Middle electric cable with connectors

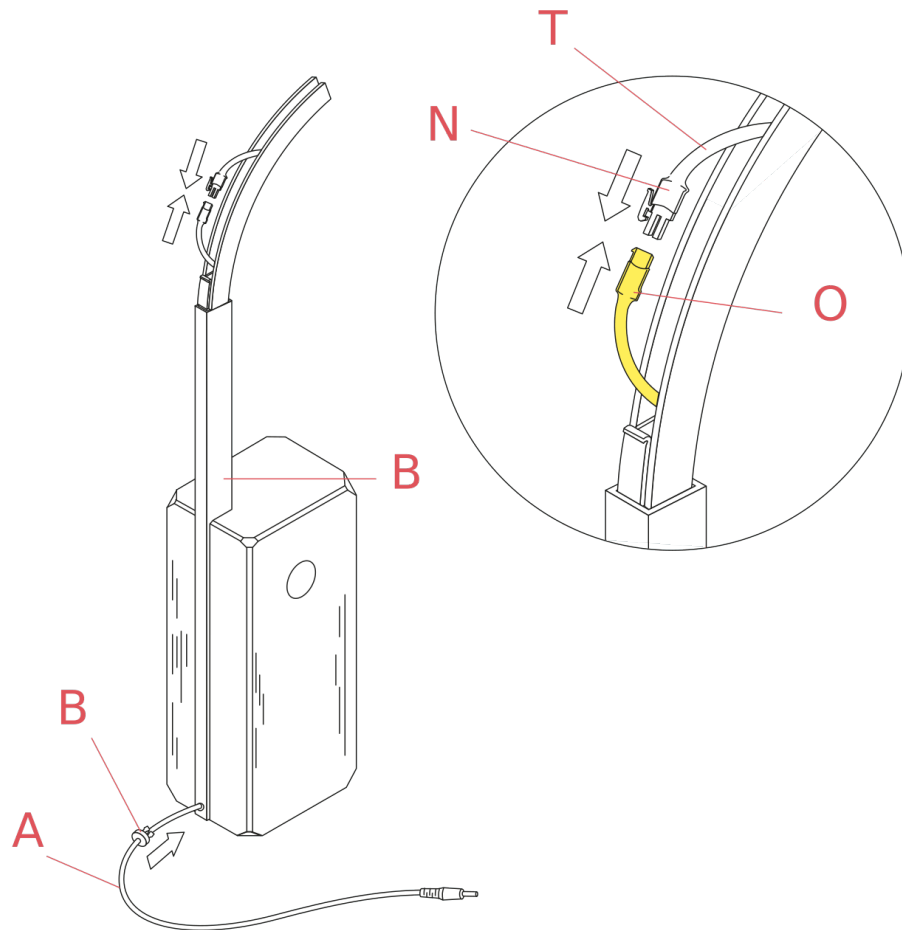


Fig.4

After having positioned carefully the electric cable (T) on the bottom channel, connect the connector (N) to connector (O) of the cable coming from the stem (B). Stretch the cable with the plug (A) paying attention to insert connectors (N) and (O) into the stem (B) and then secure the cable clamp (U).

WARNING! When installing and whenever acting on the appliance, ensure that the power supply has been switched off.
For the installation of the spare-part, it is necessary to consult a qualified electrician.

RF20805

Arco Led Middle electric cable with connectors

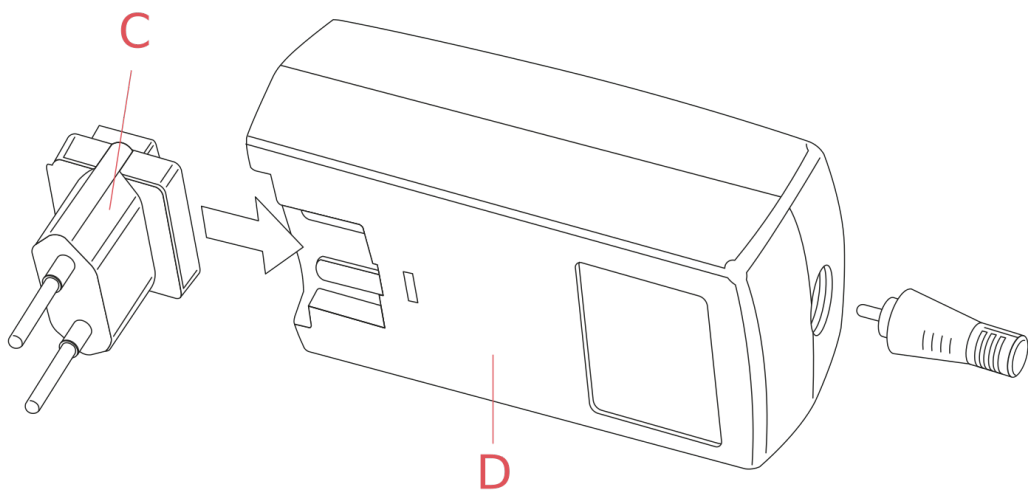


Fig.5

Insert the plug (C) into the driver unit (D). Utilize the guides and snap it inside its apposite slot (use the correct type of plug for the area in which the device must be installed).

WARNING! When installing and whenever acting on the appliance, ensure that the power supply has been switched off. For the installation of the spare-part, it is necessary to consult a qualified electrician.

RF20805

Arco Led Middle electric cable with connectors

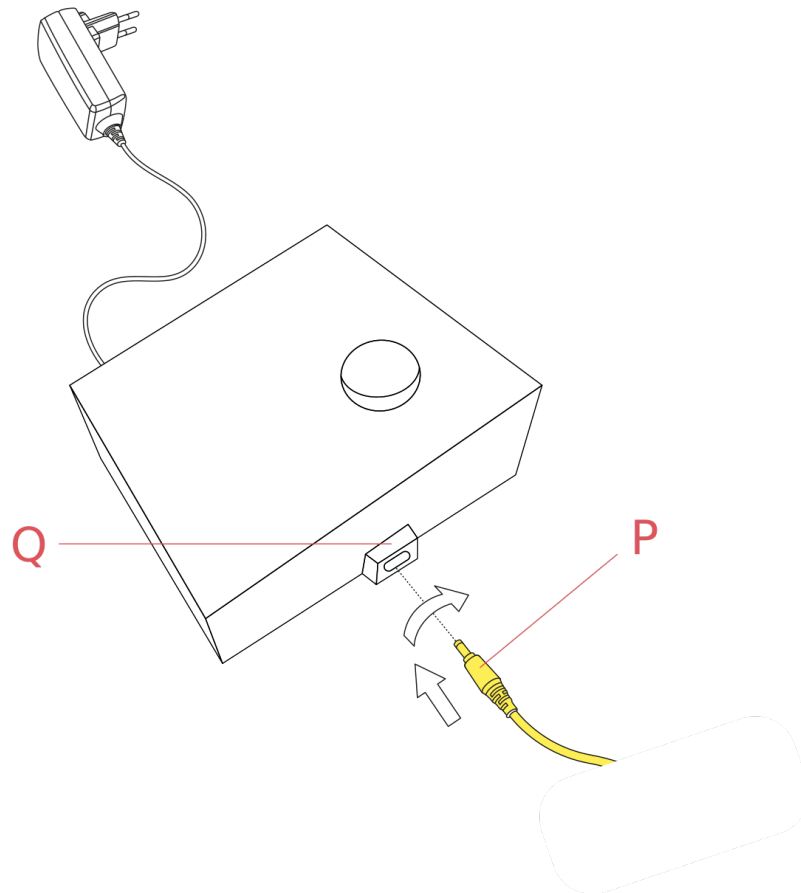


Fig.6

Connect the pin (P) to the push button switch (Q), then connect the device to the main power.

WARNING! When installing and whenever acting on the appliance, ensure that the power supply has been switched off.
For the installation of the spare-part, it is necessary to consult a qualified electrician.

©2021 Flos - All rights reserved - www.flos.com
Flos reserves the right to introduce any changes to its own models, without prior notice.