

## RF02601

Red tube



WARNING! When installing and whenever acting on the appliance, ensure that the power supply has been switched off.  
For the installation of the spare-part, it is necessary to consult a qualified electrician.

**RF02601**

Red tube

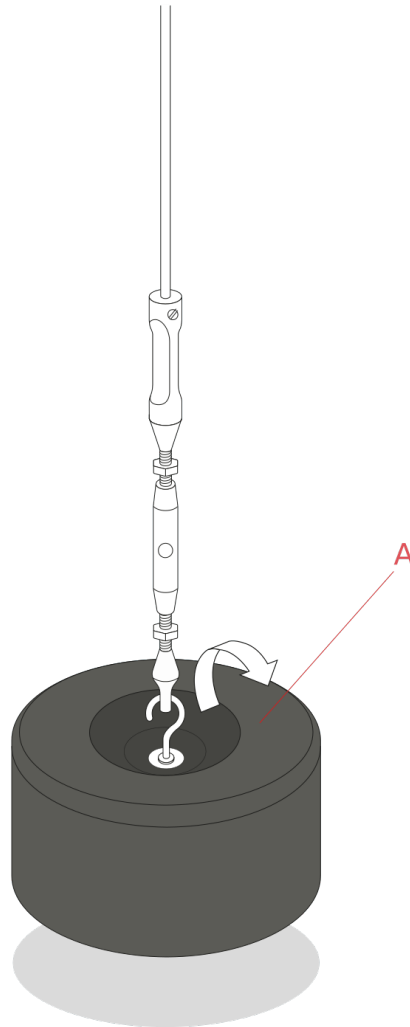


Fig.1

Unhook the counterweight (A) from the turnbuckle (B).

**WARNING!** Lifting up the counterweight will cause mechanical tension loss of the suspension wire, causing the tube and lamp support to fall down.

**WARNING!** When installing and whenever acting on the appliance, ensure that the power supply has been switched off.  
For the installation of the spare-part, it is necessary to consult a qualified electrician.

**RF02601**

Red tube

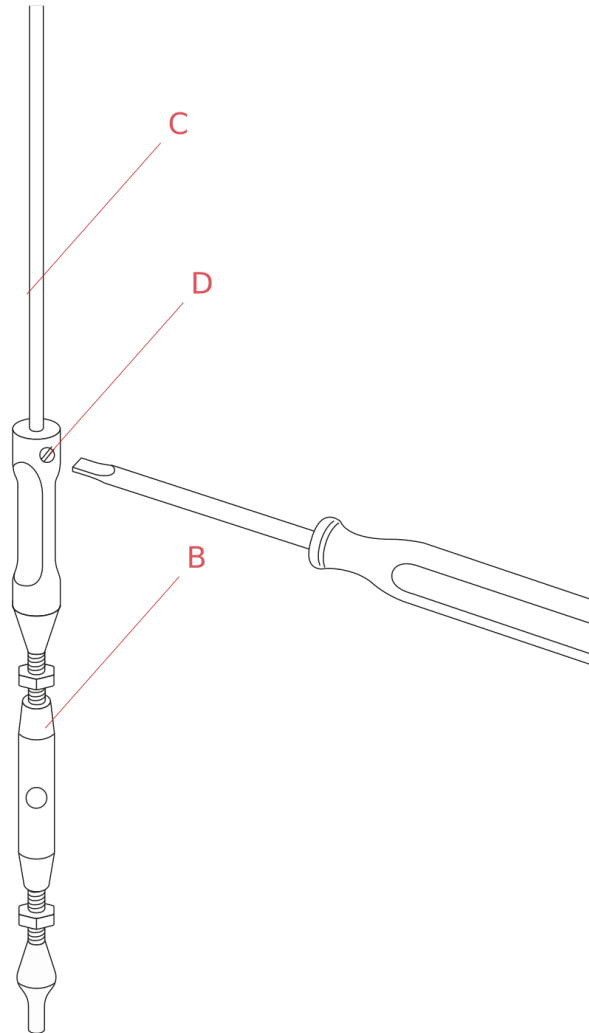


Fig.2

Remove the turnbuckle (B) from the suspension cable by unfastening the locking screw (C).

WARNING! When installing and whenever acting on the appliance, ensure that the power supply has been switched off.  
For the installation of the spare-part, it is necessary to consult a qualified electrician.

**RF02601**

Red tube

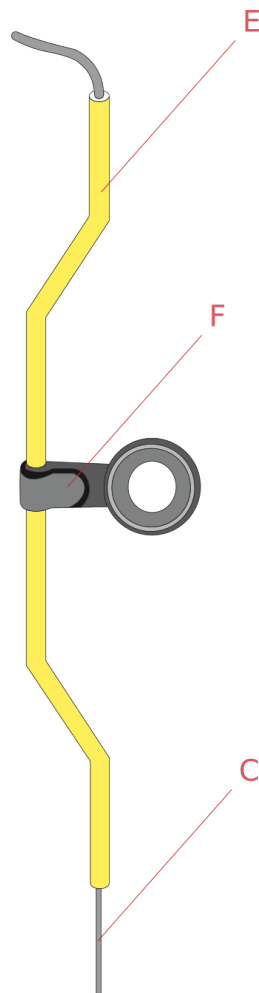


Fig.3

Slide off the suspension cable (C), the damaged Parentesi tube (E) and the rubber support (F).

Take off the rubber support (F) from the damage Parentesi tube (E).

Assemble now the new spare-part: slide the rubber support (F) through the new Parentesi tube (E).

Insert and slide the suspension cable (C) through the Parentesi tube (E). Insert the end point of the steel suspension cable (C) into the upper hole of the turnbuckle (B) and then fasten the locking screw (D). (Fig.2 page 2)

Hook the turnbuckle (B) to the counterweight (A). Regulate the turnbuckle (B) in a way that the counterweight (A) almost touches the floor and then fasten the locking bolts. Verify that the suspension wire is perpendicular.  
**WARNING!** Lifting up the counterweight will cause mechanical tension loss of the suspension wire, causing the tube and lamp support to fall down. (Fig.1 page 1)

**WARNING!** When installing and whenever acting on the appliance, ensure that the power supply has been switched off. For the installation of the spare-part, it is necessary to consult a qualified electrician.

**RF02601**

Red tube

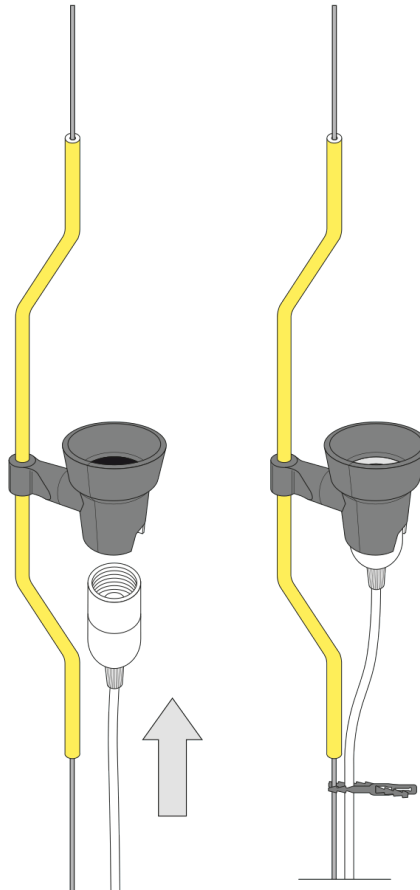


Fig.4

Pass through the hard rubber support the lamp holder push it to the limit of the cooling fins.  
**WARNING!** Whilst installing the lamp-bulb ensure that the lamp bulb neck, sticks out from the rubber support.  
The bulb of the lamp must not be attached to the rubber support.

**WARNING!** When installing and whenever acting on the appliance, ensure that the power supply has been switched off.  
For the installation of the spare-part, it is necessary to consult a qualified electrician.