

RA3690230

Black rose assembly



WARNING! When installing and whenever acting on the appliance, ensure that the power supply has been switched off.
For the installation of the spare-part, it is necessary to consult a qualified electrician.

RA3690230

Black rose assembly

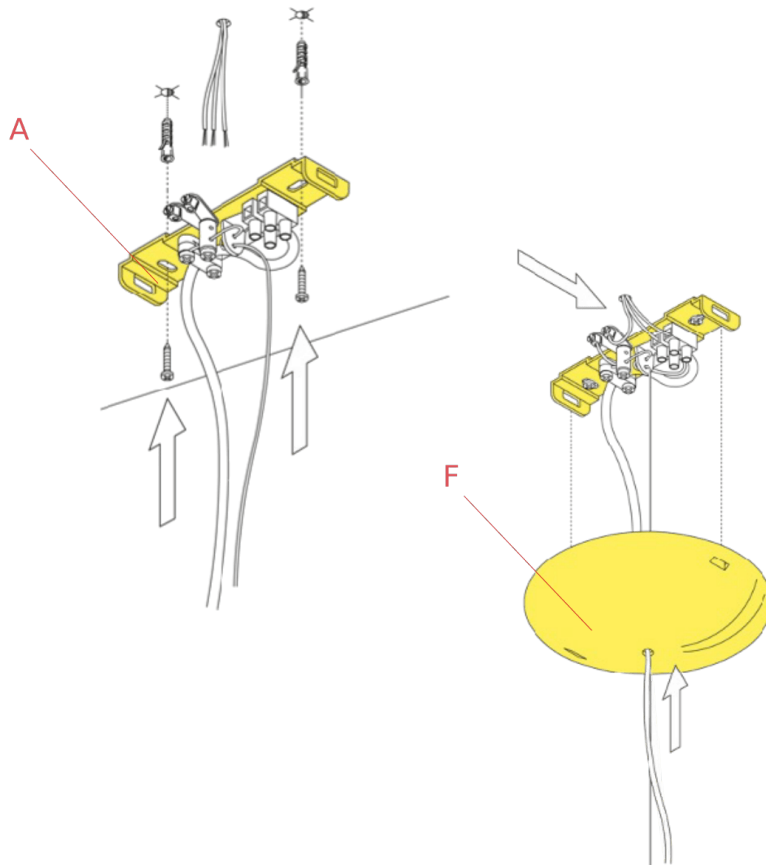


Fig.1

Fix the wall fixture (A) with the appropriate expansion bolts. NOTE: Select and employ screw anchors which are suited to the surface where the appliance is to be installed.
Connect the power cable to the terminal box (not supplied with the sparepart).
Mount the ceiling-rose (F).

WARNING! When installing and whenever acting on the appliance, ensure that the power supply has been switched off.
For the installation of the spare-part, it is necessary to consult a qualified electrician.