

F1581030

Clessidra Wall attachment and internal lamp body 20°+20°



WARNING! When installing and whenever acting on the appliance, ensure that the power supply has been switched off.
For the installation of the spare-part, it is necessary to consult a qualified electrician.

F1581030

Clessidra Wall attachment and internal lamp body 20°+20°

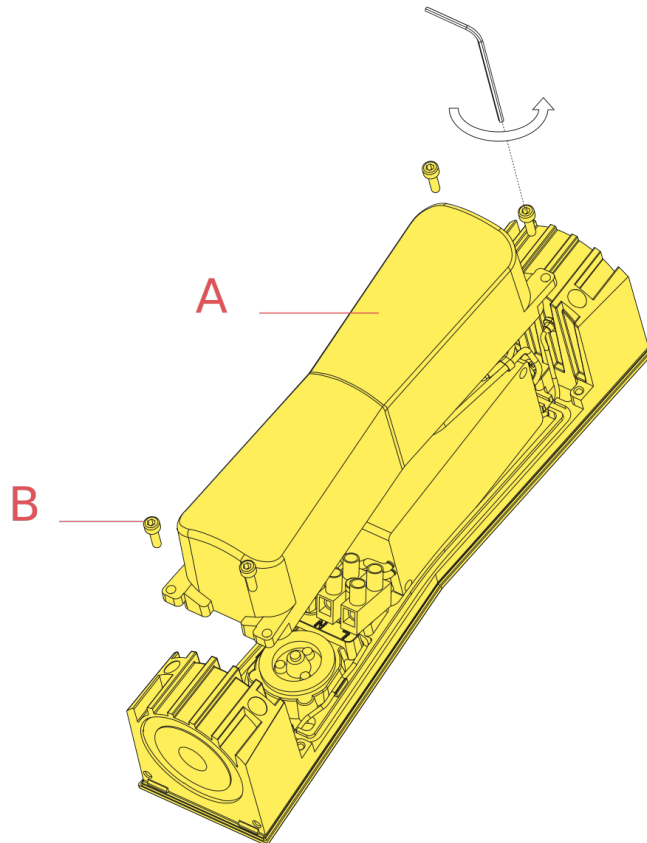


Fig.1

Dismantle the cover (A) unscrewing the screws (B) with the allen key included.

WARNING! When installing and whenever acting on the appliance, ensure that the power supply has been switched off.
For the installation of the spare-part, it is necessary to consult a qualified electrician.

F1581030

Clessidra Wall attachment and internal lamp body 20°+20°

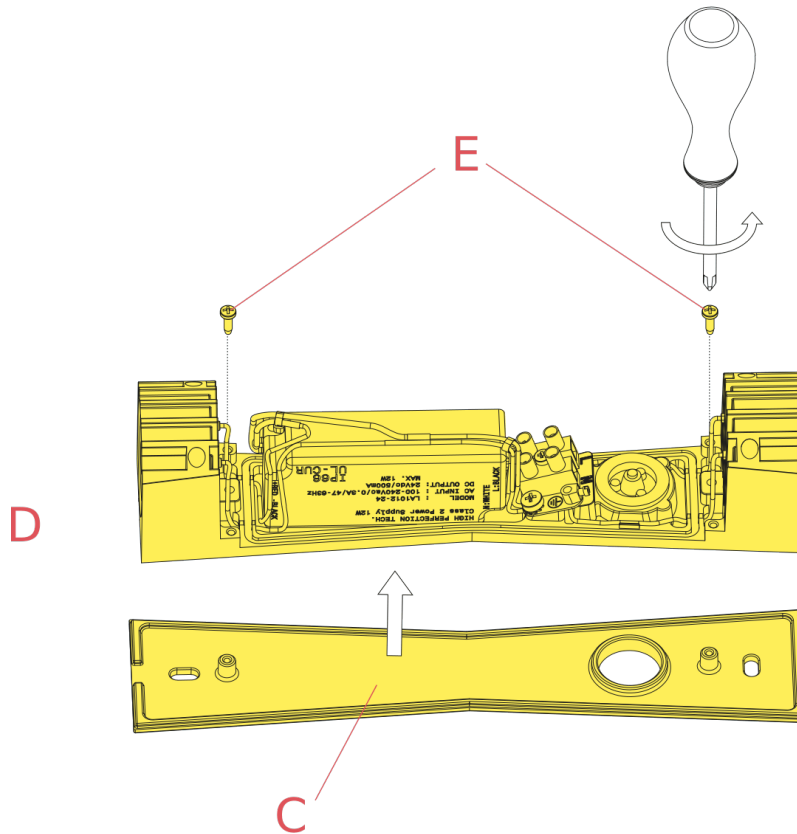


Fig.2

Separate the wall attachment from the (C) body (D) unscrewing the screws (E).

WARNING! When installing and whenever acting on the appliance, ensure that the power supply has been switched off. For the installation of the spare-part, it is necessary to consult a qualified electrician.

F1581030

Clessidra Wall attachment and internal lamp body 20°+20°

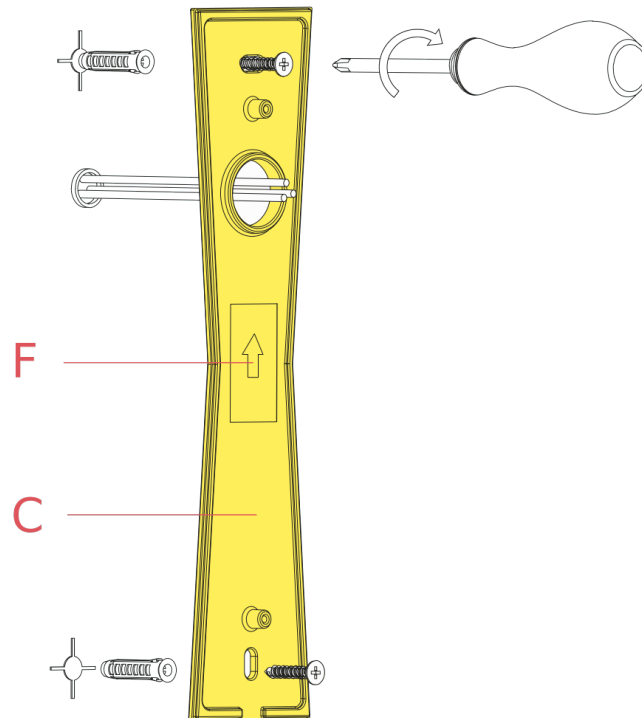


Fig.3

Fix the wall attachment (C) with screws and rawl plugs taking care to put it the correct way up as indicated by the arrow (F) and passing the power cables through the correct hole.

NOTE: Choose screw anchors that are suitable for the surface which shall be assembled upon.

WARNING! When installing and whenever acting on the appliance, ensure that the power supply has been switched off.
For the installation of the spare-part, it is necessary to consult a qualified electrician.

F1581030

Clessidra Wall attachment and internal lamp body 20°+20°

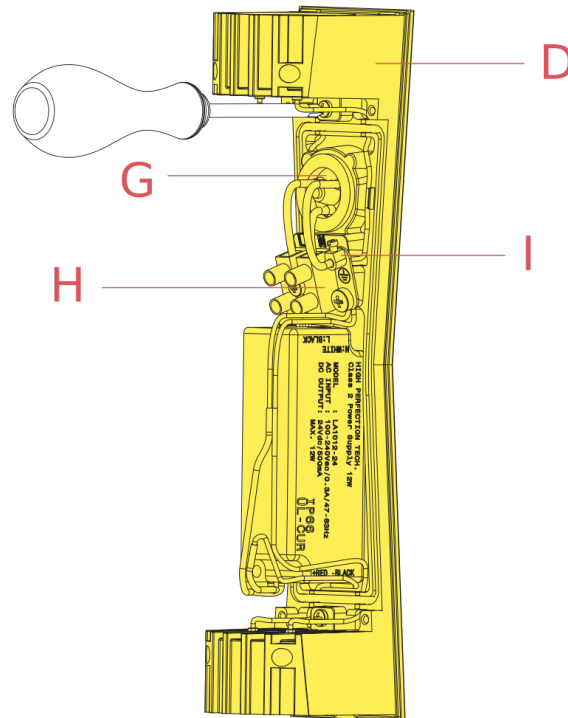


Fig.4

Remount the body (D) onto the wall attachment taking care to pass the supply cables through the fairlead (G), then make the electrical connections in the terminal box(H) and to the earth terminal (I).

WARNING! When installing and whenever acting on the appliance, ensure that the power supply has been switched off. For the installation of the spare-part, it is necessary to consult a qualified electrician.

F1581030

Clessidra Wall attachment and internal lamp body 20°+20°

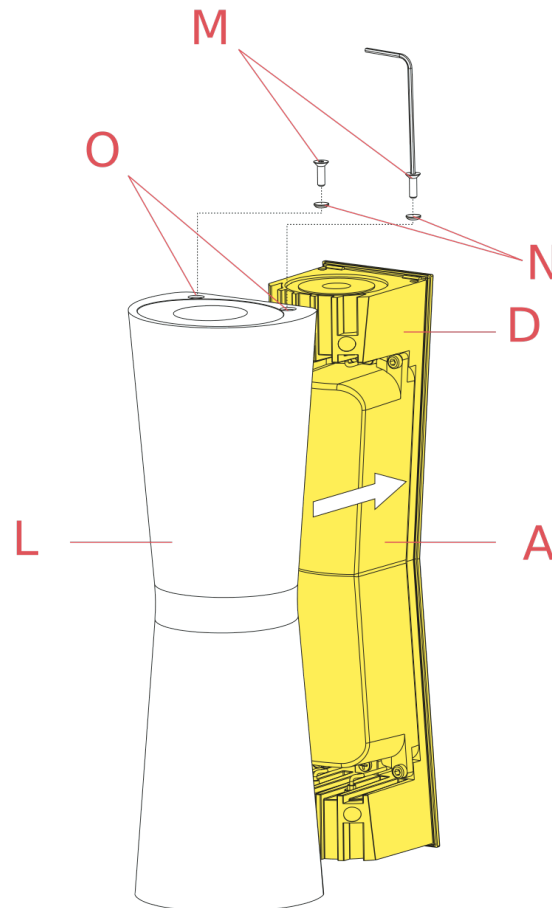


Fig.5

Remount the cover (A); mount the external body (L) onto the internal body (D) with the screws (M) included taking care to put the washers (N) in the correct positions (O).

WARNING! When installing and whenever acting on the appliance, ensure that the power supply has been switched off. For the installation of the spare-part, it is necessary to consult a qualified electrician.