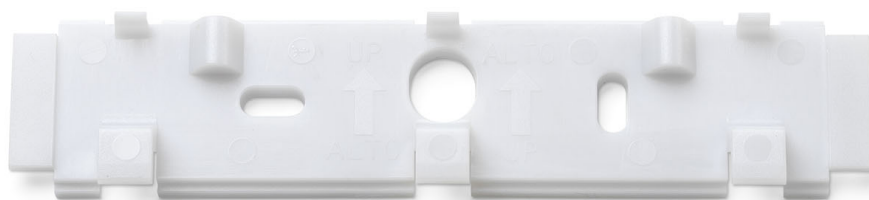


RF21151

Wall attachment



WARNING! When installing and whenever acting on the appliance, ensure that the power supply has been switched off.
For the installation of the spare-part, it is necessary to consult a qualified electrician.

RF21151

Wall attachment

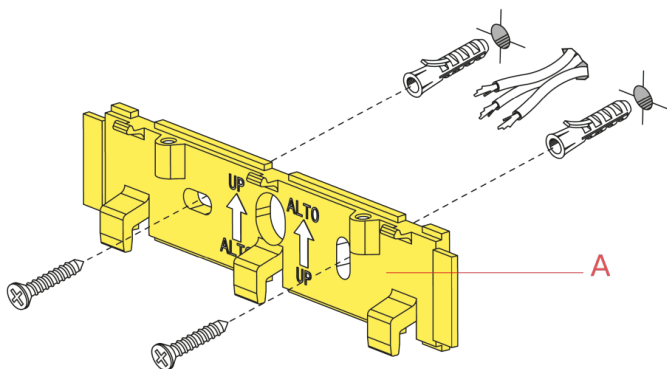


Fig.1

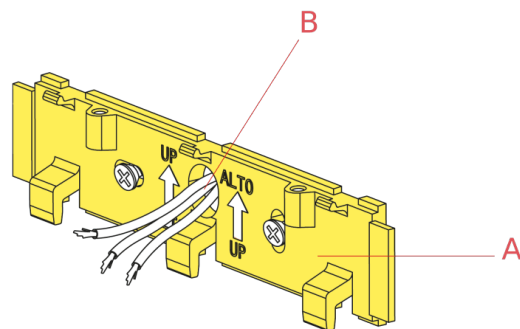


Fig.2

Fix the wall attachment (A) with screws and wall plugs ensuring to pass the electrical wires from the ceiling through the cable opening (B) of the wall attachment. Ensure to install the wall attachment in the correct direction respecting the symbol UP. REMARK: Choose screw plugs that are suitable for the installation surface

WARNING! When installing and whenever acting on the appliance, ensure that the power supply has been switched off. For the installation of the spare-part, it is necessary to consult a qualified electrician.