

**RF23030**

Ok Black ceiling rose



WARNING! When installing and whenever acting on the appliance, ensure that the power supply has been switched off.  
For the installation of the spare-part, it is necessary to consult a qualified electrician.

**RF23030**

Ok Black ceiling rose

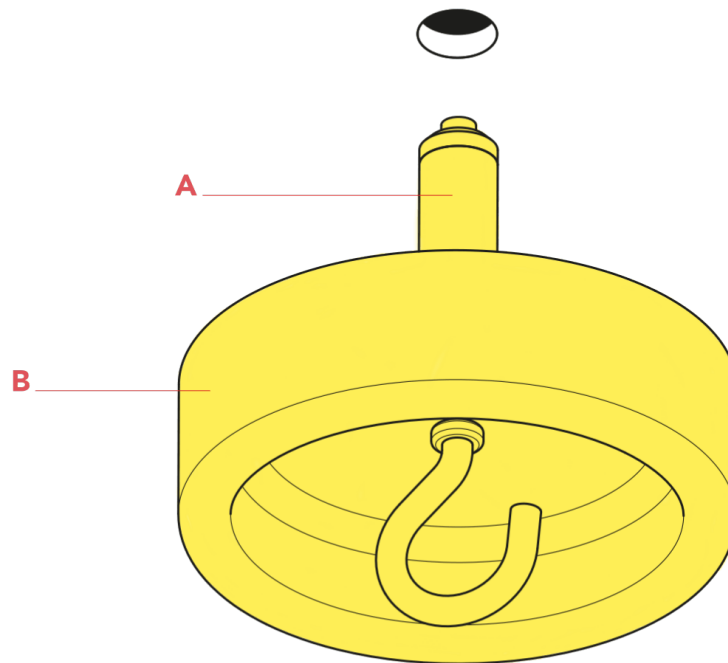


Fig.1

Drill a hole in the ceiling and insert the expansion plug (A). Tighten and fasten the rose (B).  
REMARKS! Select and employ screw plugs which are suited to the surface where the appliance is to be installed.

WARNING! When installing and whenever acting on the appliance, ensure that the power supply has been switched off.  
For the installation of the spare-part, it is necessary to consult a qualified electrician.

©2021 Flos - All rights reserved - [www.flos.com](http://www.flos.com)  
Flos reserves the right to introduce any changes to its own models, without prior notice.