

RF25185

Superloon Mobile legs



WARNING! When installing and whenever acting on the appliance, ensure that the power supply has been switched off.
For the installation of the spare-part, it is necessary to consult a qualified electrician.

RF25185

Superloon Mobile legs

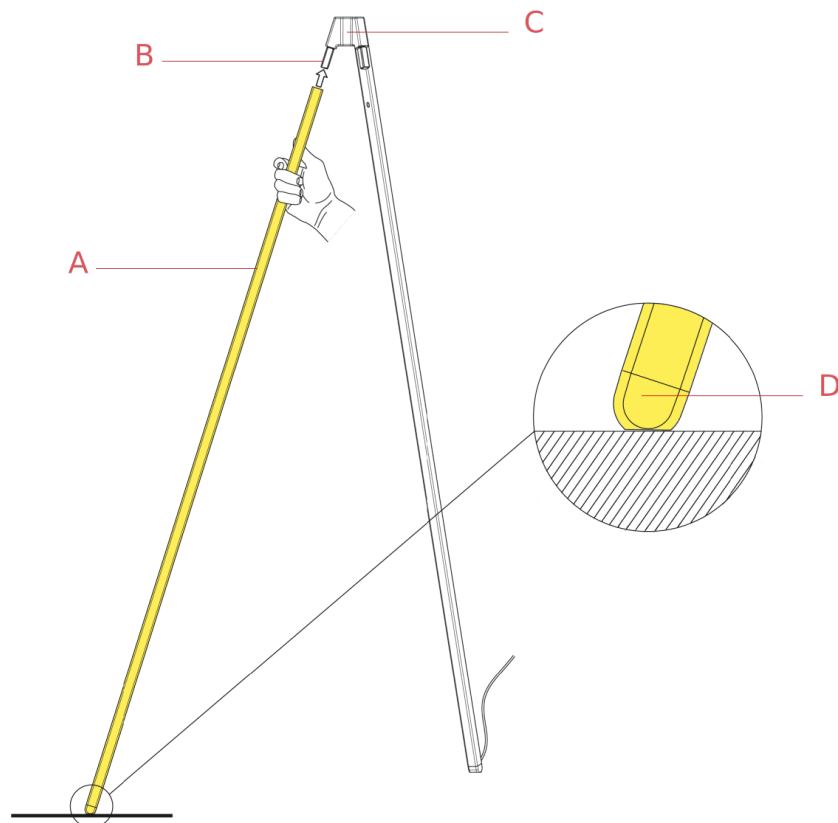


Fig.1

Insert the two legs (A) in the pins (B) of the base element (C) paying attention to the correct orientation of the feet (D) as indicated in Pic. 1A

WARNING! When installing and whenever acting on the appliance, ensure that the power supply has been switched off.
For the installation of the spare-part, it is necessary to consult a qualified electrician.