

LINEAR JOINT	CORNER JOINT 2	CORNER JOINT 3	CORNER JOINT 4	REMOTE KIT 120W	REMOTE KIT 150W
08.1213.40	08.1206.40	08.1207.40	08.1208.40	06.0501.40	06.0508.40
08.1213.14	08.1206.14	08.1207.14	08.1208.14	06.0501.14	06.0508.14
08.1213.ER	08.1206.ER	08.1207.ER	08.1208.ER	06.0501.ER	06.0508.ER
08.1213.ES	08.1206.ES	08.1207.ES	08.1208.ES	06.0501.ES	06.0508.ES

**CEILING FIXING KIT (08.0615.00 / 08.0615.40)**

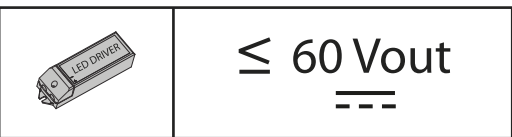
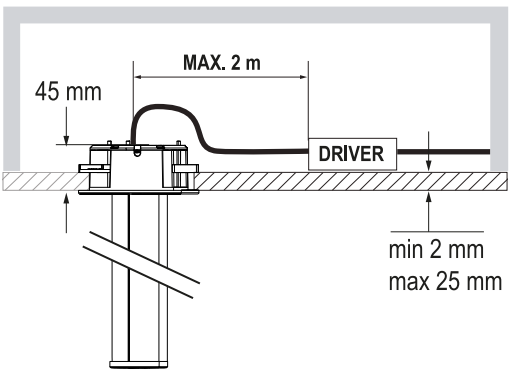
PROFILE (mm)	FIXATION POINTS	CEILING KIT TO ORDER
600	2	1
1200	3	2
1800	4	2
2400	4	2

	Profile (mm)	1200	1800	2400	
	Diffuse light power (W)	25,5 W	38,3 W	51,1 W	
	*Available power in track (W)	76,5 W (With 120W driver)	63,7 W (With 120W driver)	76,4W (with 150W driver) / 50,9 W (with 120W driver)	
	Power	n° max spots	n° max spots	n° max spots	n° max spots
MULTISPOT MINI	6,1 W	5	7	10	6
LS SPOT 30	4,7 W	7	11	15	10
LS SPOT 45	11 W	6	5	6	4
FINDME 0	3,5 W	7	11	15	14
FINDME 1	5,5 W	7	11	13	9
FINDME 2	10,5 W	7	6	7	4
ATOM 90	5,5 W	7	11	13	9
ATOM 120	8 W	7	7	9	6

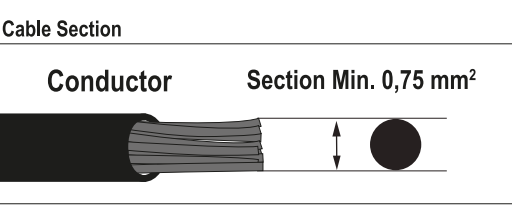
\*The available power in the track is calculated applying a safety coefficient of -15% of the total power of the driver.  
 \*La potencia disponible en el carril está calculada aplicando un coeficiente de seguridad de -15% del total de la potencia del driver.

**A TECHNICAL DATA**

DATOS TÉCNICOS / DATI TECNICI / TECHNISCHE DATEN / DONNEES TECHNIQUES / DADOS TÉCNICOS / テクニカルデータ / 技術数据 / ТЕХНИЧЕСКИЕ ДАННЫЕ / ТЕХНИКАЛЫҚ МӘЛІМЕТТЕР / بيانات فنية



**ATTENTION**  
 The voltage under load does not exceed 25 V r.m.s. or 60 V ripple-free d.c. and the no-load voltage does not exceed 35 V peak or 60V ripple-free d.c.



**USE ONLY CLASS 2 POWER SUPPLY**  
 USE ÚNICAMENTE FUENTE DE ALIMENTACIÓN DE CLASE 2

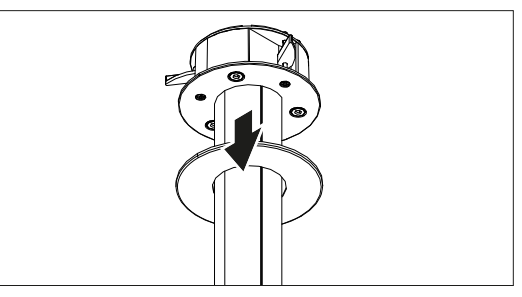
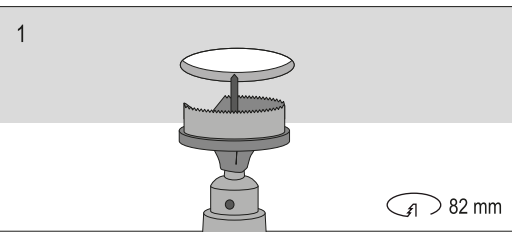
**WARNING!**  
 Calculate the total power of system output by applying a safety coefficient of +15% without exceeding the driver's potential.  
 Calcule la potencia total de salida del sistema aplicando un coeficiente de seguridad de + 15% sin exceder el potencial del controlador.

**MAX: Constant voltage 24V / 7A NO DIMMABLE**  
 MÁXIMO: Tensión constante 24V / 7A NO DIMMABLE

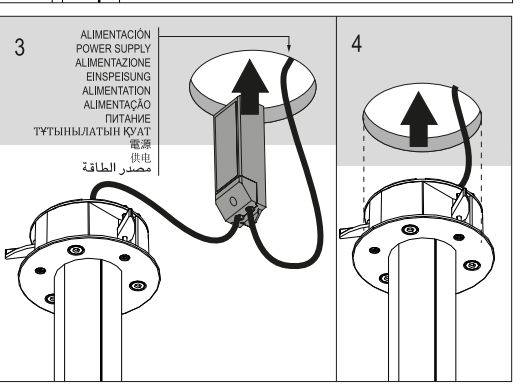
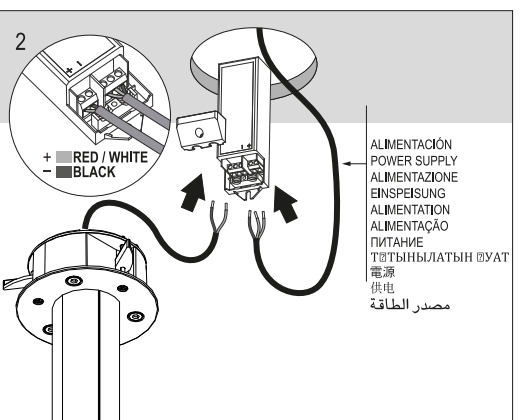
**B LUMINAIRE INSTALLATION**

INSTALACIÓN DE LA LUMINARIA / INSTALLAZIONE DELLA LAMPADA / INSTALLATION DER BELEUCHTUNG / INSTALLATION DU LUMINAIRE / INSTALAÇÃO DO APARELHO DE ILUMINAÇÃO / 照明器具の設置・据付け / 灯具的安装 / МОНТАЖ ОСВЕТИТЕЛЬНОГО ПРИБОРА / ШАМДАЛДЫ ОРНАТУ / تركيب وحدة الإنارة

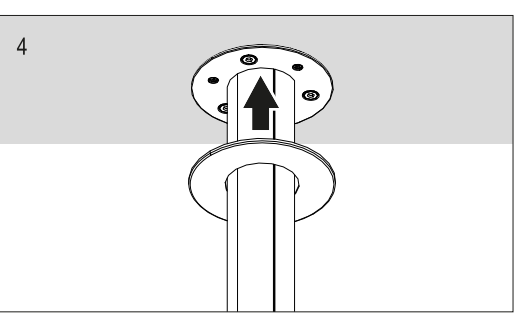
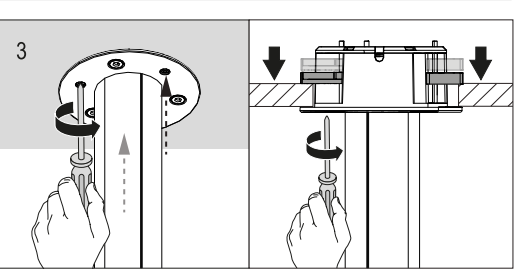
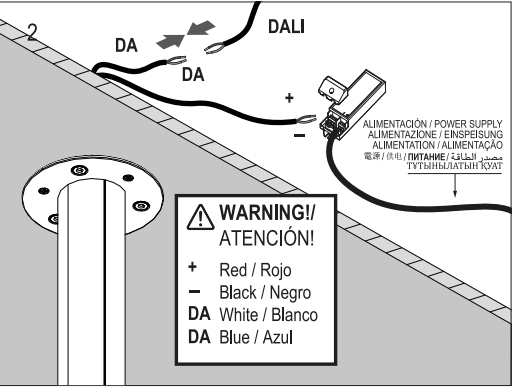
**1. CEILING**



**CASAMBI**



**DALI**



**- CLASIFICACION ENERGÉTICA - ENERGY CLASSIFICATION**

	<b>Replaceable (LED only) light source by a professional / Fuente de luz (solo LED) reemplazable por un profesional</b>
	<b>Replaceable control gear by professional / Equipo de control reemplazable por profesional</b>