

RF02970

Long inox channel



WARNING! When installing and whenever acting on the appliance, ensure that the power supply has been switched off.
For the installation of the spare-part, it is necessary to consult a qualified electrician.

RF02970

Long inox channel

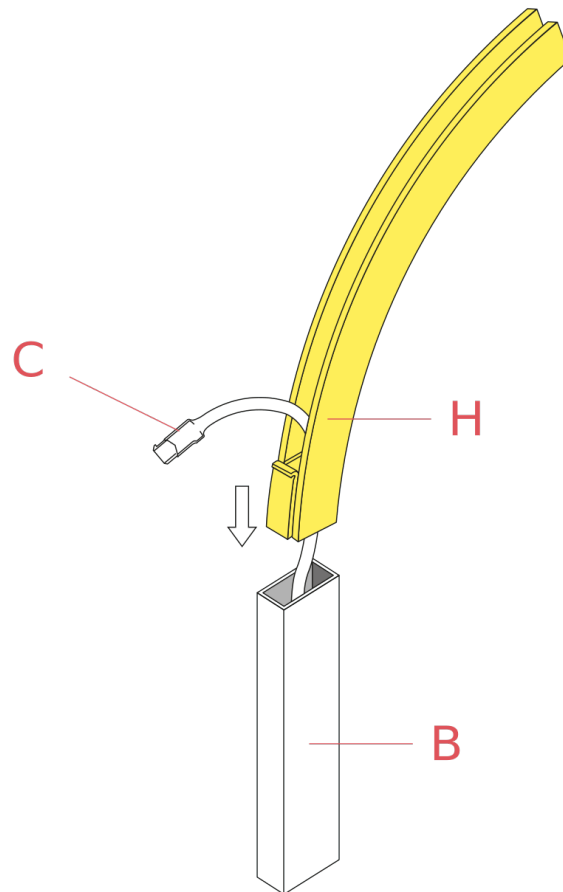


Fig.1

Insert the long channel (H) into the stem (B) ensuring to insert the cable with the connector (C) through the hole of the long channel (H).

WARNING! When installing and whenever acting on the appliance, ensure that the power supply has been switched off. For the installation of the spare-part, it is necessary to consult a qualified electrician.

RF02970

Long inox channel

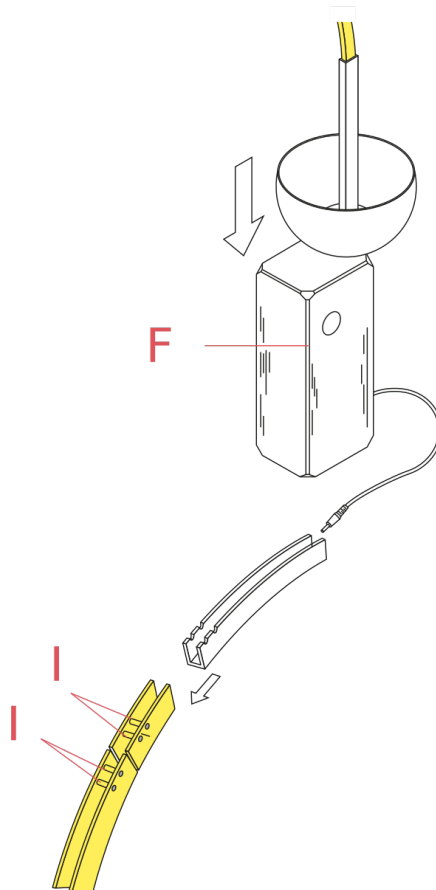


Fig.2

Collocate the reflector on the marble base (F).
Joint the medium channel to the long channel through the pins (I) according to the desired position.

WARNING! When installing and whenever acting on the appliance, ensure that the power supply has been switched off.
For the installation of the spare-part, it is necessary to consult a qualified electrician.

RF02970

Long inox channel

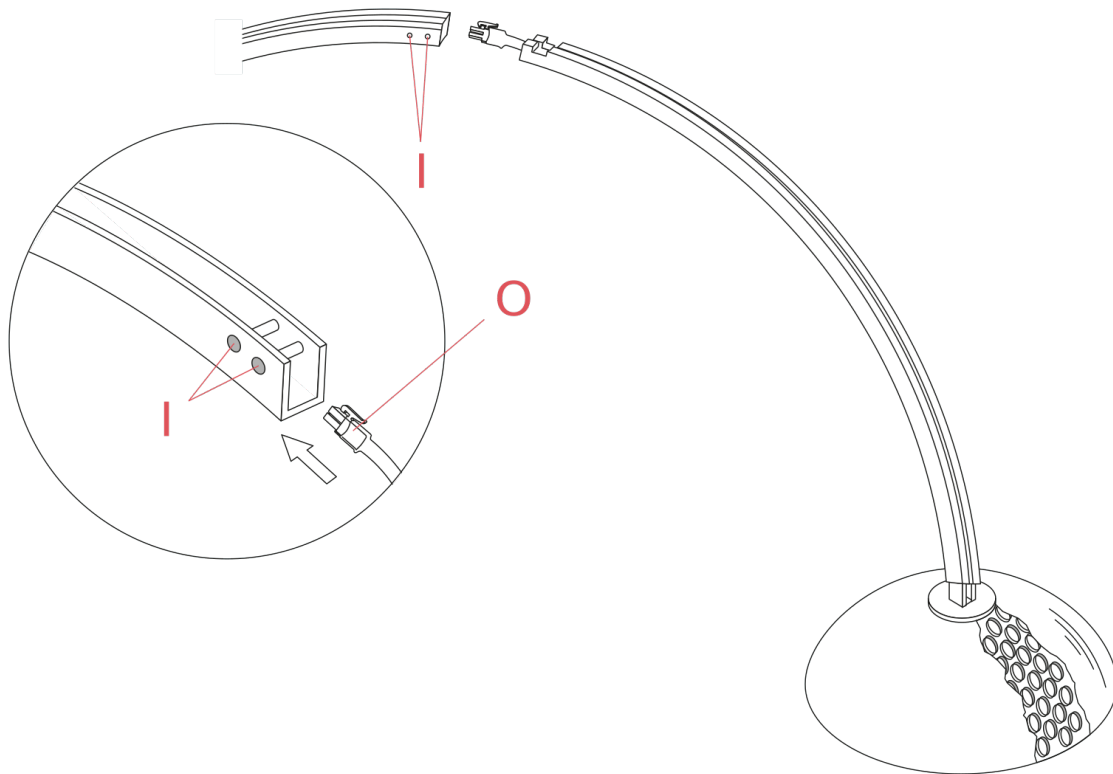


Fig.3

Insert the cable with the connector (O) underneath the pins (I) and slide it through the channel.

WARNING! When installing and whenever acting on the appliance, ensure that the power supply has been switched off.
For the installation of the spare-part, it is necessary to consult a qualified electrician.

RF02970

Long inox channel

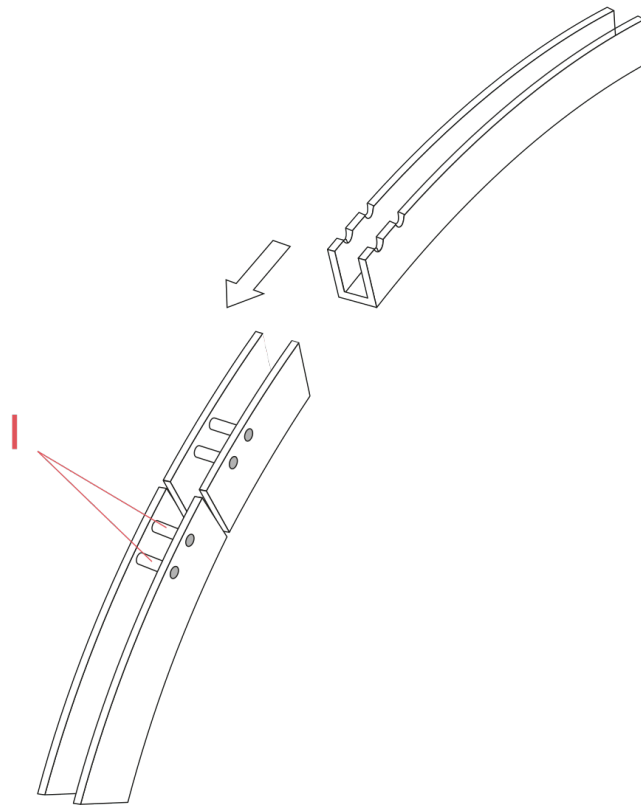


Fig.4

Joint the channel with grid to the medium channel through the pins (I).

WARNING! When installing and whenever acting on the appliance, ensure that the power supply has been switched off.
For the installation of the spare-part, it is necessary to consult a qualified electrician.

RF02970

Long inox channel

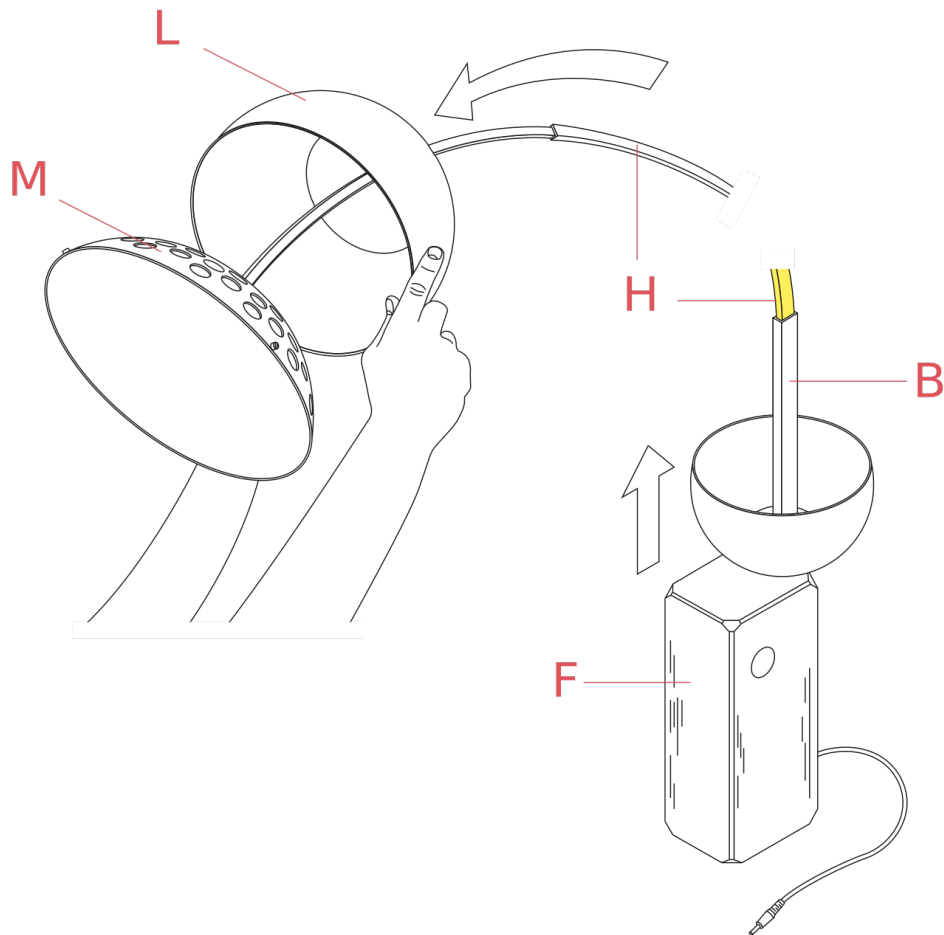


Fig.5

Collocate the reflector (L) on the grid (M) by sliding it through the stem (B) and through the channels of the appliance.

WARNING! When installing and whenever acting on the appliance, ensure that the power supply has been switched off. For the installation of the spare-part, it is necessary to consult a qualified electrician.