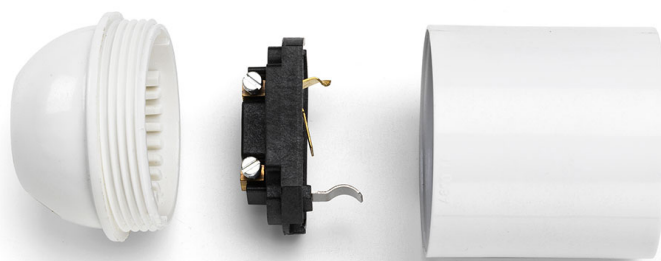


RF9800400

Zeppelin 1 Assembly E27 Lamp Holder for Zeppelin



WARNING! When installing and whenever acting on the appliance, ensure that the power supply has been switched off.
For the installation of the spare-part, it is necessary to consult a qualified electrician.

RF9800400

Zeppelin 1 Assembly E27 Lamp Holder for Zeppelin

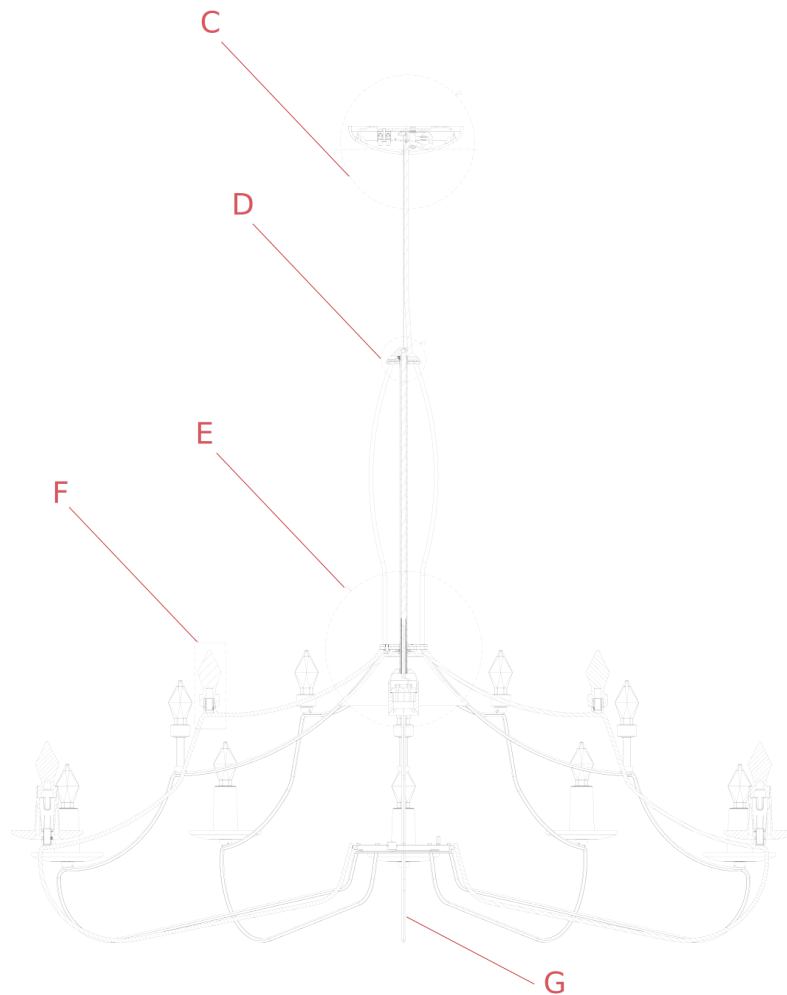


Fig.1

Delicately remove the crystal bowl from the lamp (refer to letter G in the image below). Afterwards remove the lamp from the ceiling and lay it down on a clean towel.

WARNING! When installing and whenever acting on the appliance, ensure that the power supply has been switched off. For the installation of the spare-part, it is necessary to consult a qualified electrician.

RF9800400

Zeppelin 1 Assembly E27 Lamp Holder for Zeppelin

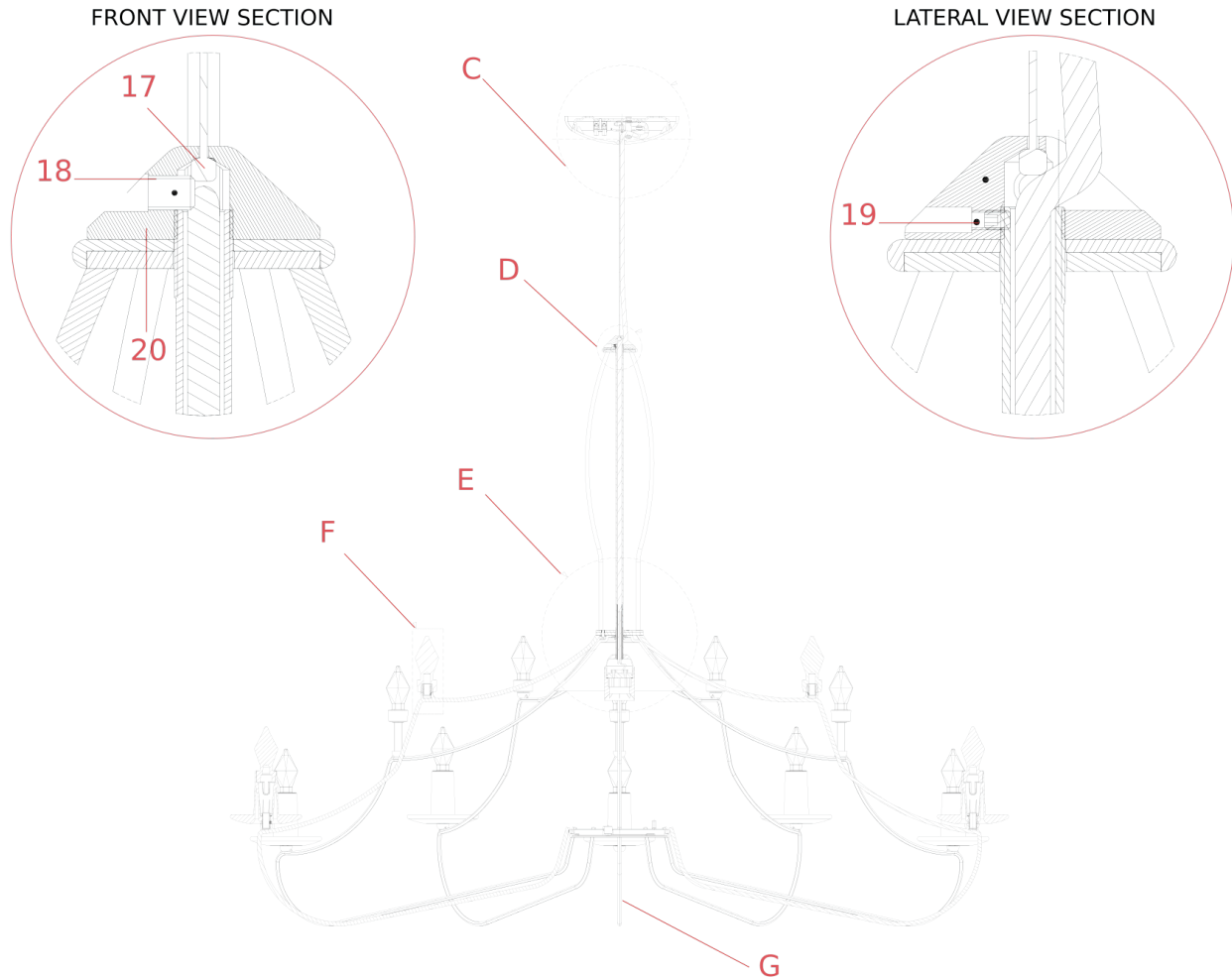


Fig.2

In the upper part of the lamp (refer to letter D in the image below), unscrew the two grub screws number 19 (M6 x 10 image in the green circle) and number 20 (M3 x 6 in the red circle).

WARNING! When installing and whenever acting on the appliance, ensure that the power supply has been switched off. For the installation of the spare-part, it is necessary to consult a qualified electrician.

RF9800400

Zeppelin 1 Assembly E27 Lamp Holder for Zeppelin

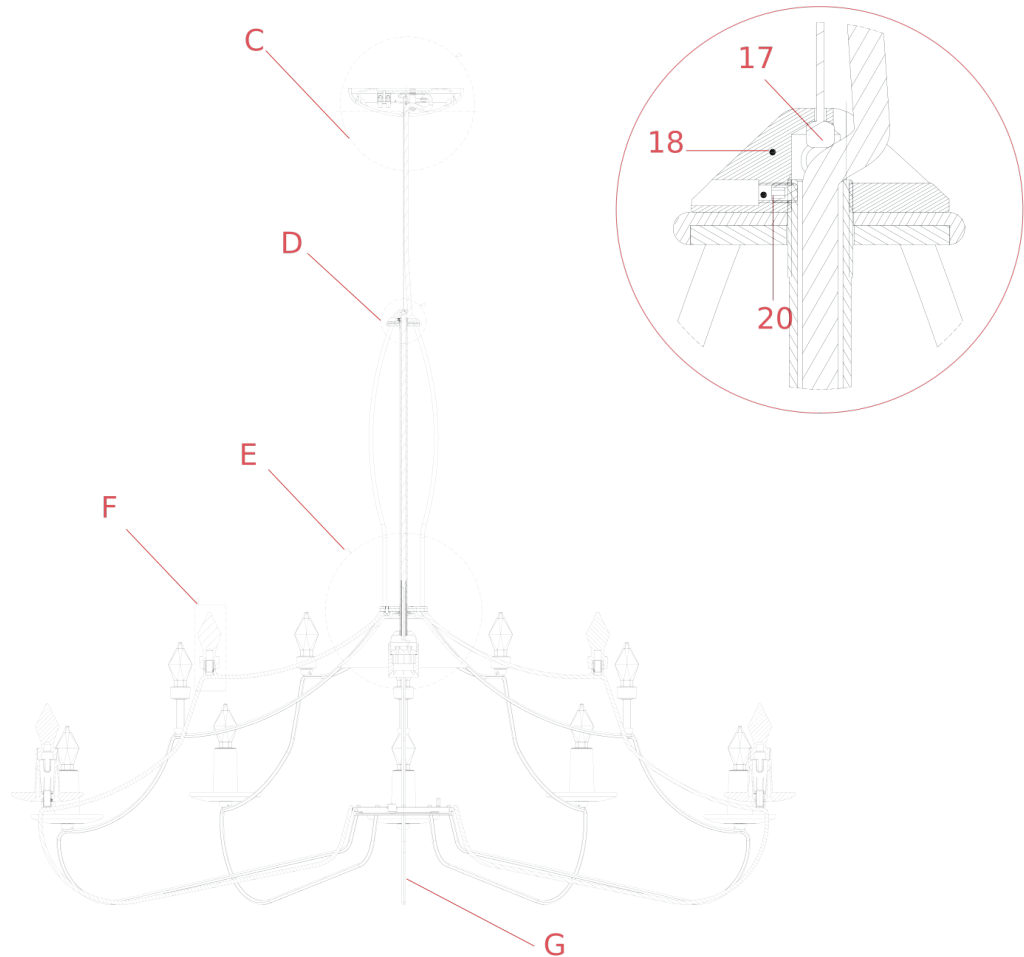


Fig.3

Unscrew the white 10 x 1 terminal (refer to point 18) and slip off the stem with its lamp holder (refer to point number 17) from the lower part (refer to letter E in the image below).

WARNING! When installing and whenever acting on the appliance, ensure that the power supply has been switched off. For the installation of the spare-part, it is necessary to consult a qualified electrician.

RF9800400

Zeppelin 1 Assembly E27 Lamp Holder for Zeppelin

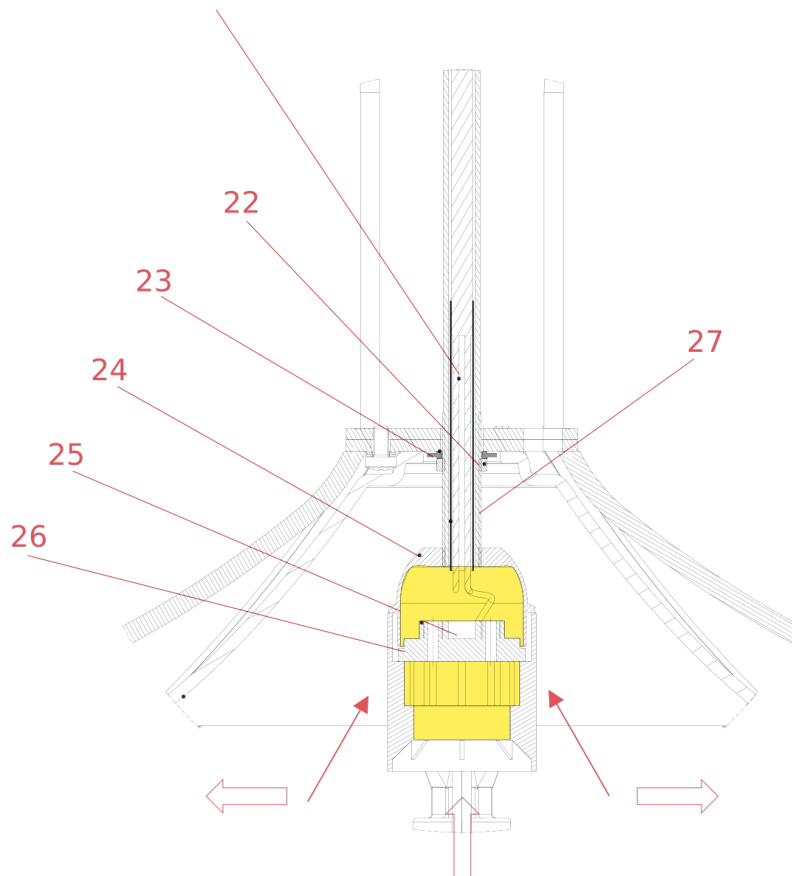
N.B: CABLE SHEATH 3X0,75 TRANSP.
80mm ON LAMP HOLDER SIDE

Fig.4

Unhook the lamp holder by inserting between the lifting hooks of the lamp holder a fine screwdriver.

Afterwards replace the lamp holder by connecting it electrically.

REMARKS!!! Please respect the polarities of the electrical wires.

Assemble the lamp holder by pressing it back on the lamp holder support.

Slip back on the stem in the body lamp.

In the upper part of the lamp (refer to letter D in the image Fig.2 page 8), fasten the two grub screws number 19 (M6 x 10 image in the green circle) and number 20 (M3 x 6 in the red circle).

Assemble the lamp back on the ceiling (refer to the installation sheet of the Zeppelin 1).

WARNING! When installing and whenever acting on the appliance, ensure that the power supply has been switched off.
For the installation of the spare-part, it is necessary to consult a qualified electrician.