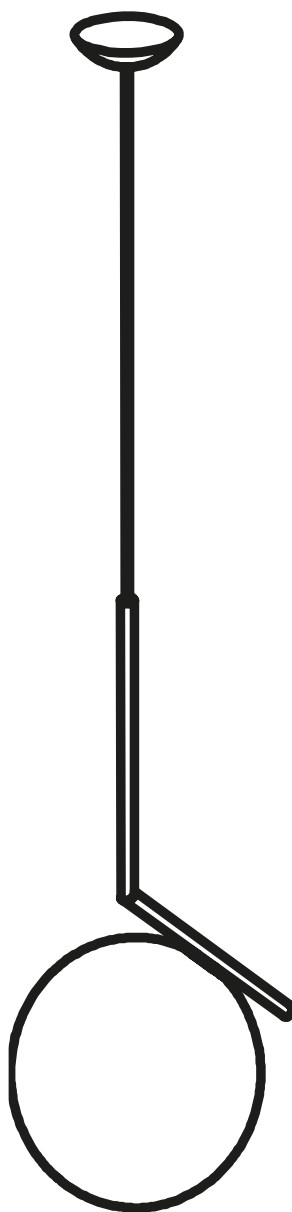


## IC S2

Designed by Michael Anastassiades, 2014

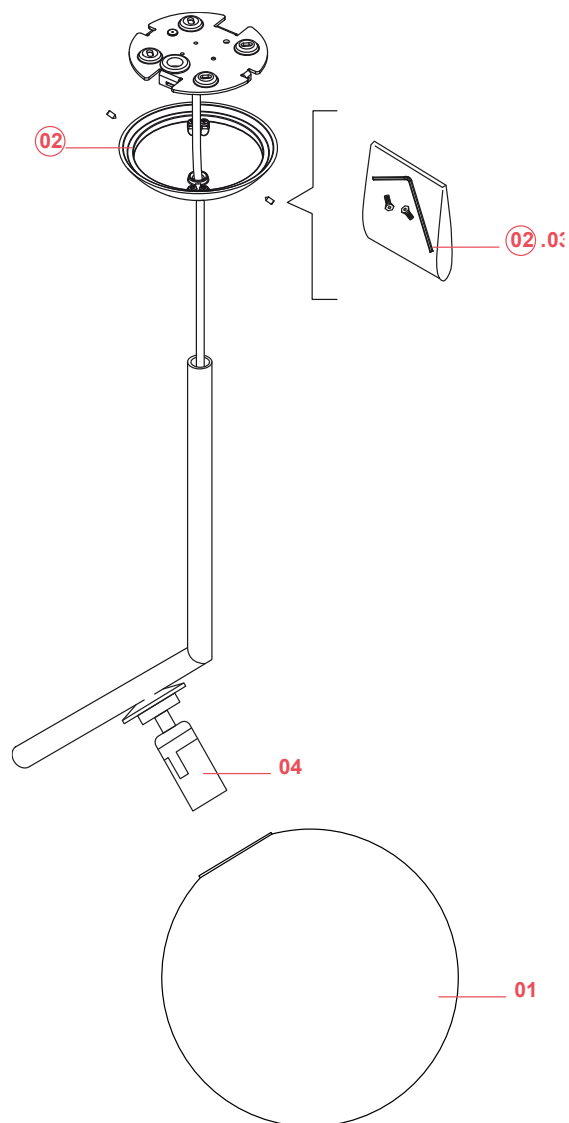
F3176059



## IC S2

F3176059

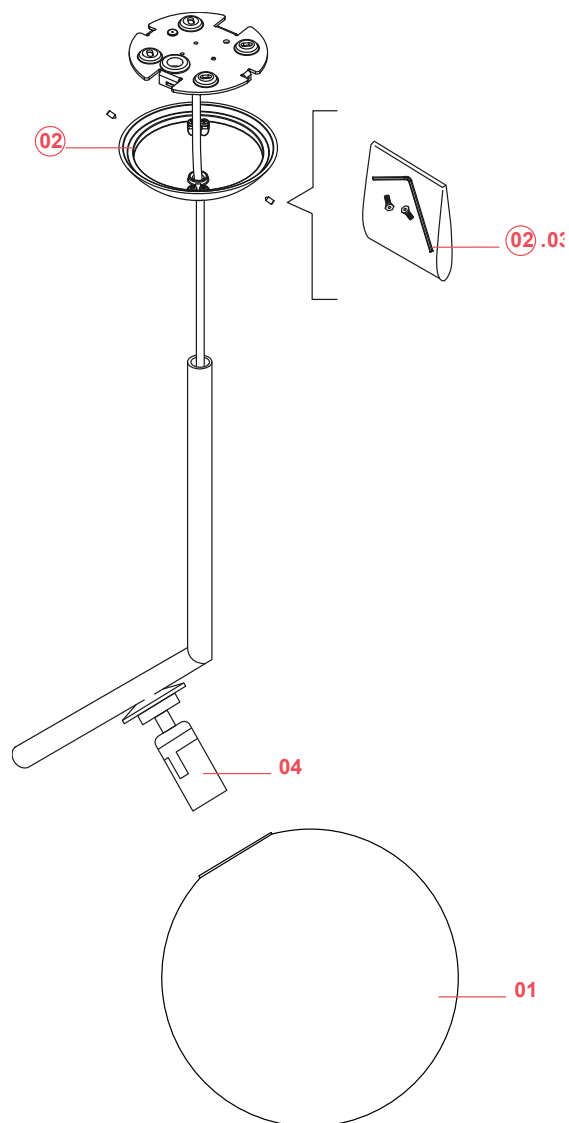
EN



## IC S2

F3176059

EN



**01. F3137059** – Glass diffuser S2 assembly for brass version

**02. RF3170359** – S1/S2 brass ceiling rose assembly

**03. RF3160100** – Kit with screws and Allen key

**04. RF3160200** – E27 lamp holder assembly

IC S2 F3176059

EN

## F3137059

GLASS DIFFUSER S2 ASSEMBLY FOR BRASS VERSION



WARNING! When installing and whenever acting on the appliance, ensure that the power supply has been switched off.  
For the installation of the spare-part, it is necessary to consult a qualified electrician.

©2021 Flos - All rights reserved - [www.flos.com](http://www.flos.com)

Flos reserves the right to introduce any changes to its own models, without prior notice.

IC S2 F3176059

EN

**F3137059**

GLASS DIFFUSER S2 ASSEMBLY FOR BRASS VERSION

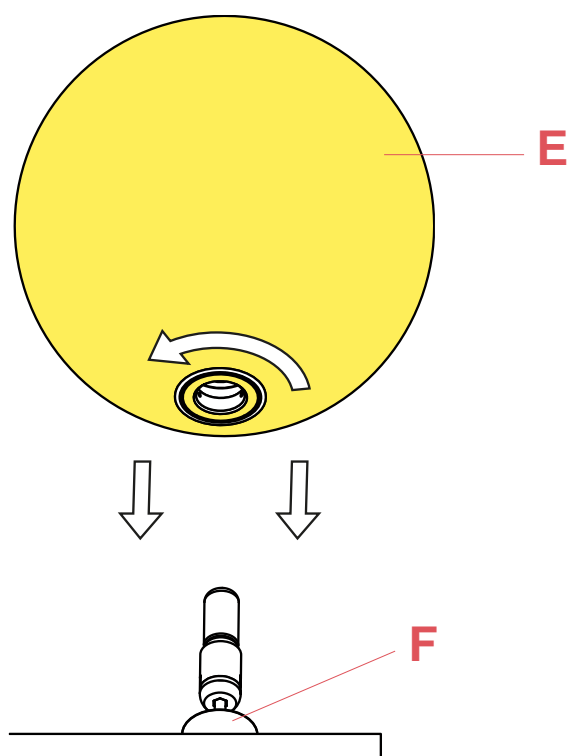


Fig.1

Assemble the glass diffuser (E) by fastening it delicately to the lamp body's ferrule (F).

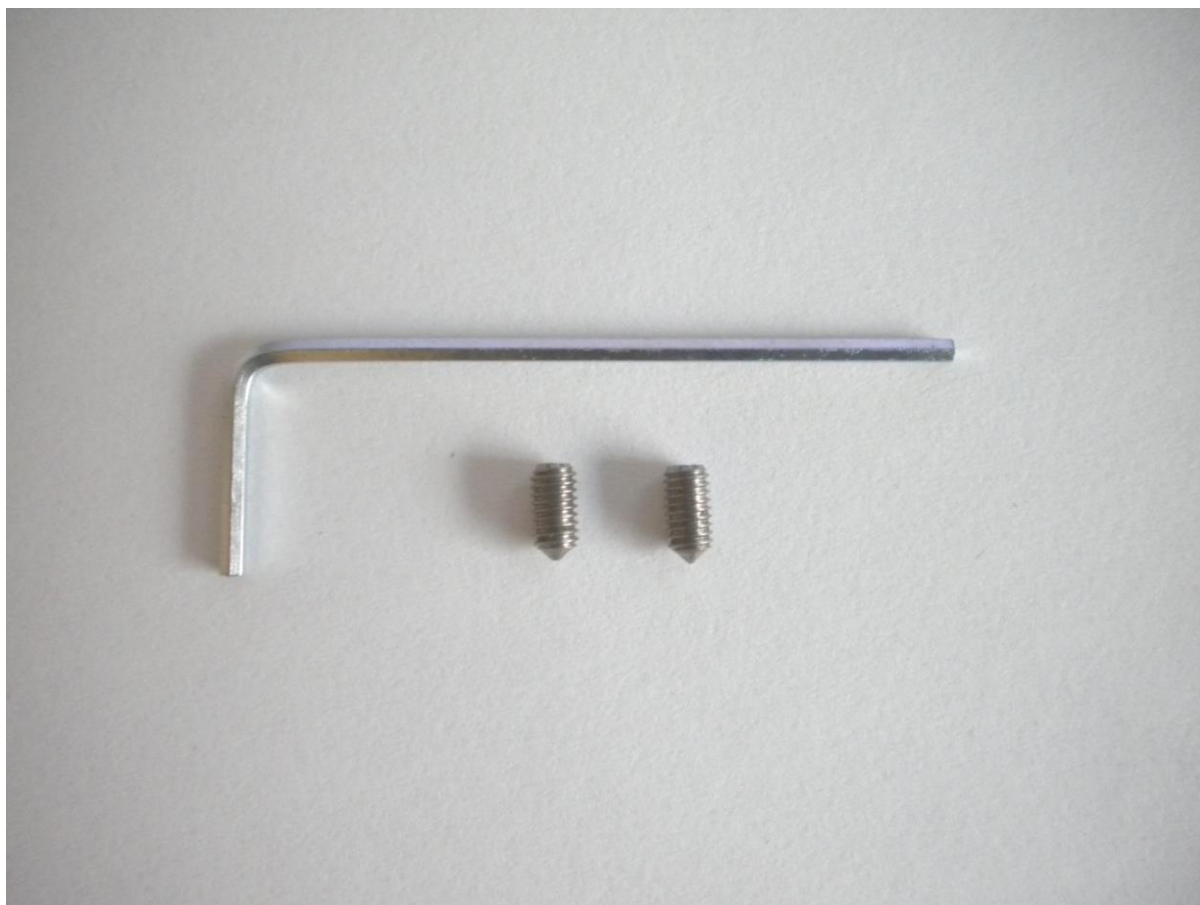
WARNING! When installing and whenever acting on the appliance, ensure that the power supply has been switched off.  
For the installation of the spare-part, it is necessary to consult a qualified electrician.

IC S2 F3176059

EN

## RF3160100

KIT WITH SCREWS AND ALLEN KEY



WARNING! When installing and whenever acting on the appliance, ensure that the power supply has been switched off.  
For the installation of the spare-part, it is necessary to consult a qualified electrician.

©2021 Flos - All rights reserved - [www.flos.com](http://www.flos.com)

Flos reserves the right to introduce any changes to its own models, without prior notice.

IC S2 F3176059

EN

**RF3160100**

KIT WITH SCREWS AND ALLEN KEY

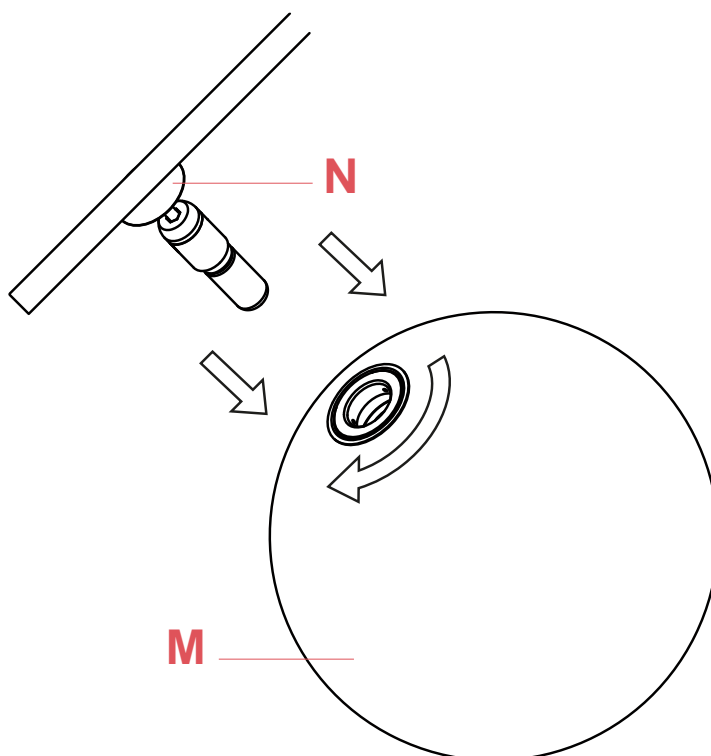


Fig.1

Before proceeding in installing the screws, please verify that the glass diffuser (M) has been removed. If not, please remove to the glass diffuser (M) to avoid possible damages.

WARNING! When installing and whenever acting on the appliance, ensure that the power supply has been switched off.  
For the installation of the spare-part, it is necessary to consult a qualified electrician.

©2021 Flos - All rights reserved - [www.flos.com](http://www.flos.com)  
Flos reserves the right to introduce any changes to its own models, without prior notice.

IC S2 F3176059

EN

**RF3160100**

KIT WITH SCREWS AND ALLEN KEY

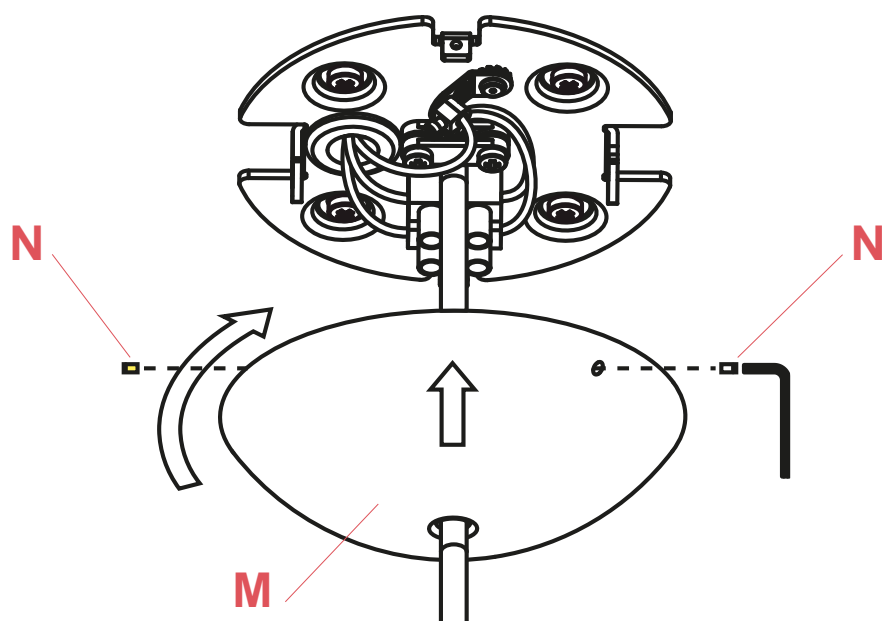


Fig.2

Assemble the ceiling rose on the ceiling attachment by fastening it with a slight clockwise rotation to then lock it by screwing the headless screws (A).  
Assemble back the glass diffuser (M) by fastening it delicately to the lamp body's ferrule (N). (Fig.1 page 7)

WARNING! When installing and whenever acting on the appliance, ensure that the power supply has been switched off.  
For the installation of the spare-part, it is necessary to consult a qualified electrician.

©2021 Flos - All rights reserved - [www.flos.com](http://www.flos.com)  
Flos reserves the right to introduce any changes to its own models, without prior notice.

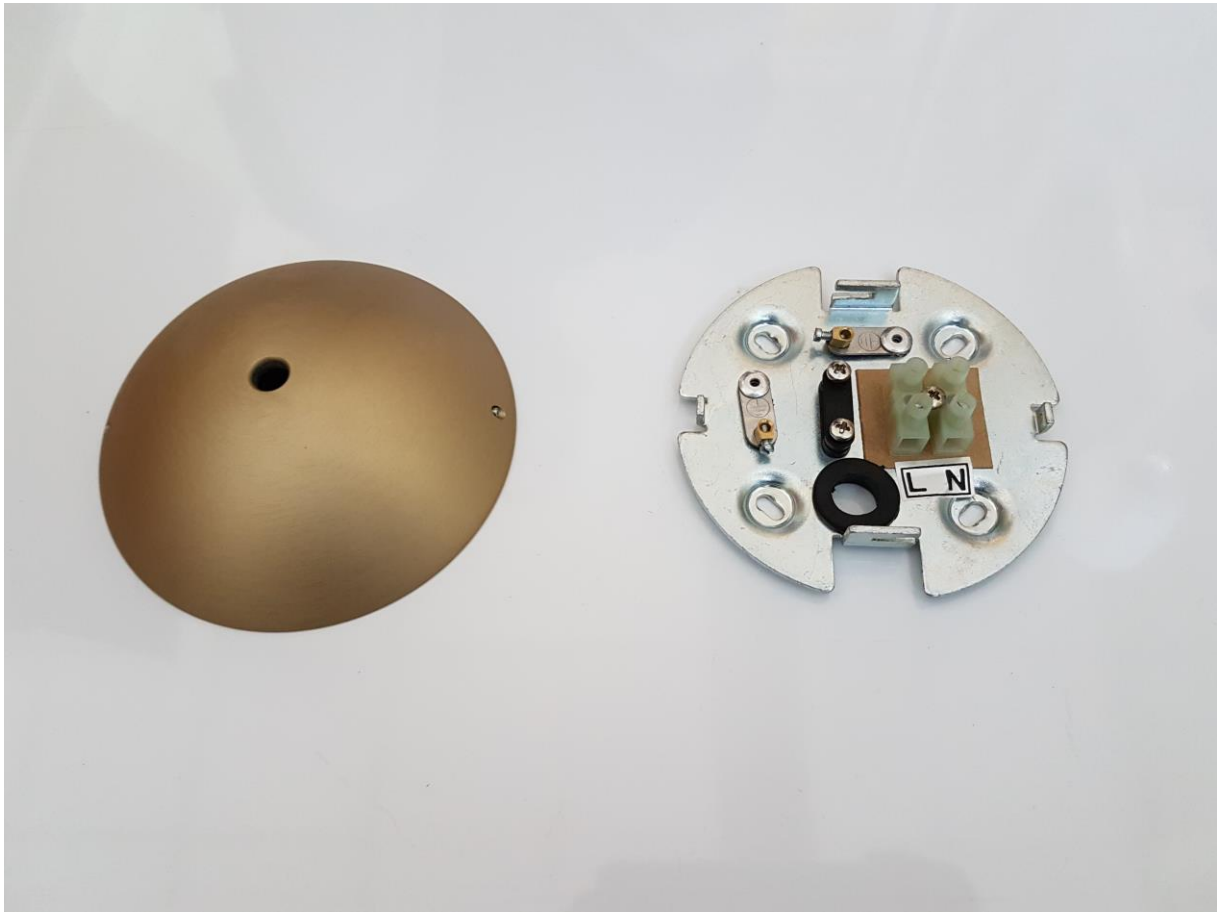


IC S2 F3176059

EN

## RF3170359

S1/S2 BRASS CEILING ROSE ASSEMBLY



WARNING! When installing and whenever acting on the appliance, ensure that the power supply has been switched off.  
For the installation of the spare-part, it is necessary to consult a qualified electrician.

©2021 Flos - All rights reserved - [www.flos.com](http://www.flos.com)  
Flos reserves the right to introduce any changes to its own models, without prior notice.

IC S2 F3176059

EN

**RF3170359**

S1/S2 BRASS CEILING ROSE ASSEMBLY

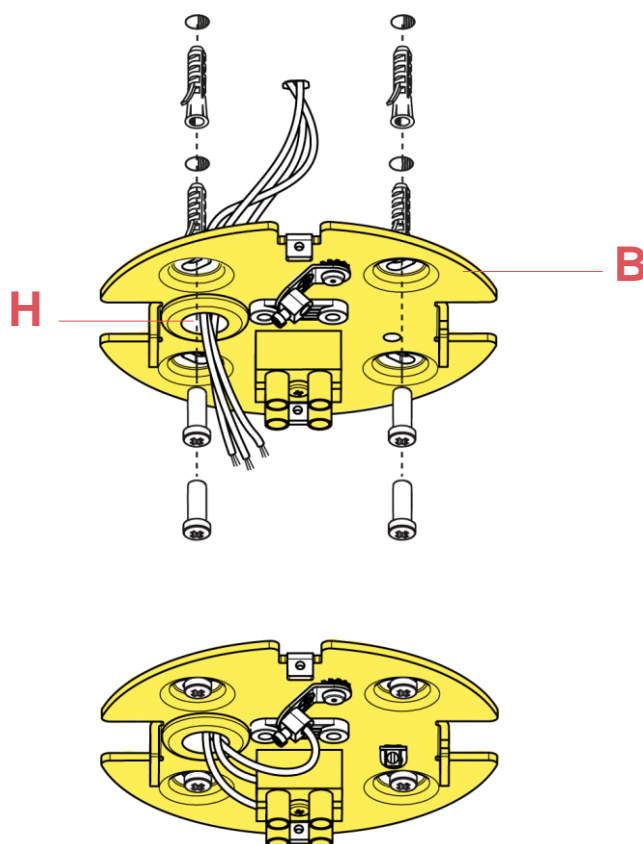


Fig.1

Install the wall fitting (B) to the ceiling with screws and plugs, ensuring that the power wires pass through the hole (H).

**REMARKS!!!** Choose screw plugs that are suitable for the type of mounting surface

WARNING! When installing and whenever acting on the appliance, ensure that the power supply has been switched off.  
For the installation of the spare-part, it is necessary to consult a qualified electrician.

IC S2 F3176059

EN

**RF3170359**

S1/S2 BRASS CEILING ROSE ASSEMBLY

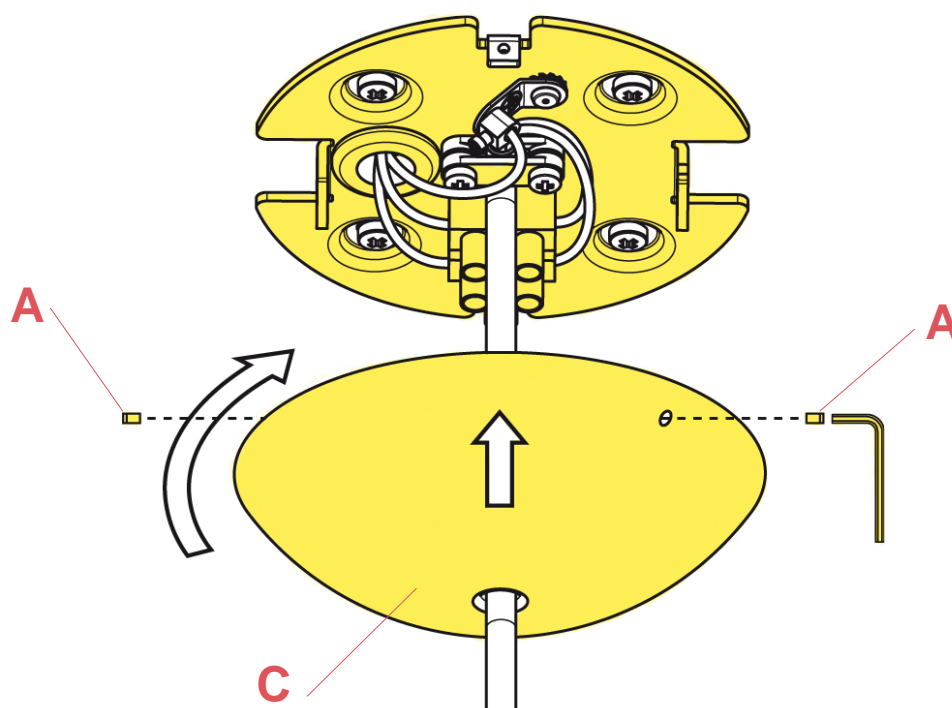


Fig.2

Assemble the ceiling rose on the ceiling attachment by fastening it with a slight clockwise rotation to then lock it by screwing the headless screws (A).

WARNING! When installing and whenever acting on the appliance, ensure that the power supply has been switched off.  
For the installation of the spare-part, it is necessary to consult a qualified electrician.

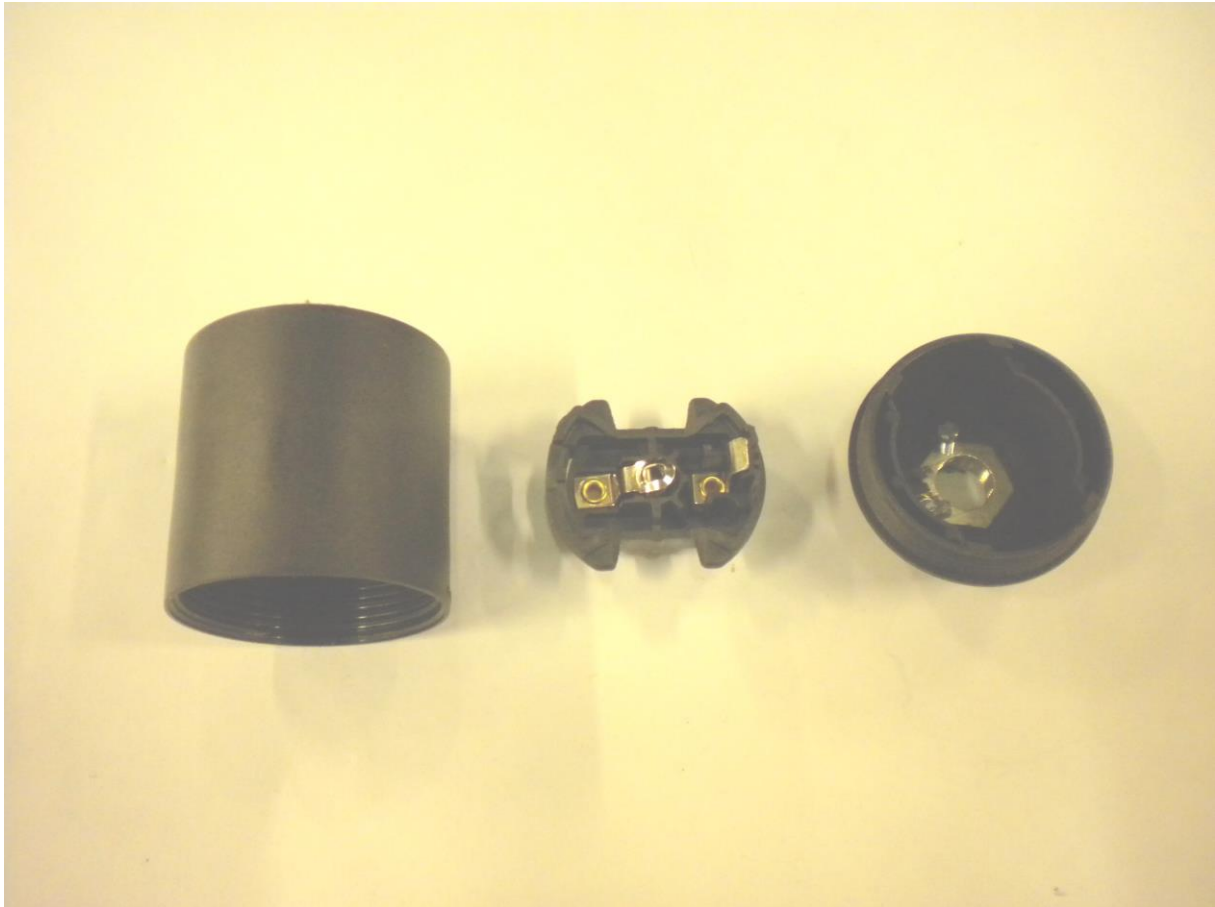
©2021 Flos - All rights reserved - [www.flos.com](http://www.flos.com)  
Flos reserves the right to introduce any changes to its own models, without prior notice.

IC S2 F3176059

EN

## RF3160100

E27 LAMP HOLDER ASSEMBLY



WARNING! When installing and whenever acting on the appliance, ensure that the power supply has been switched off.  
For the installation of the spare-part, it is necessary to consult a qualified electrician.

©2021 Flos - All rights reserved - [www.flos.com](http://www.flos.com)  
Flos reserves the right to introduce any changes to its own models, without prior notice.

IC S2 F3176059

EN

**RF3160100**

E27 LAMP HOLDER ASSEMBLY

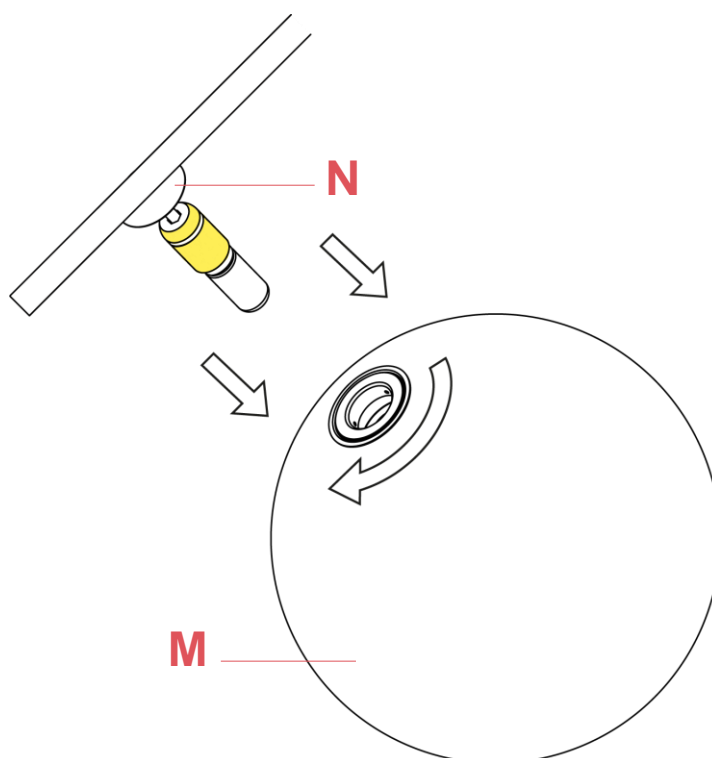


Fig.1

Unfasten the glass diffuser (M) and lamp-bulb from the lamp fixture.

WARNING! When installing and whenever acting on the appliance, ensure that the power supply has been switched off.  
For the installation of the spare-part, it is necessary to consult a qualified electrician.

©2021 Flos - All rights reserved - [www.flos.com](http://www.flos.com)  
Flos reserves the right to introduce any changes to its own models, without prior notice.

IC S2 F3176059

EN

**RF3160100**

E27 LAMP HOLDER ASSEMBLY

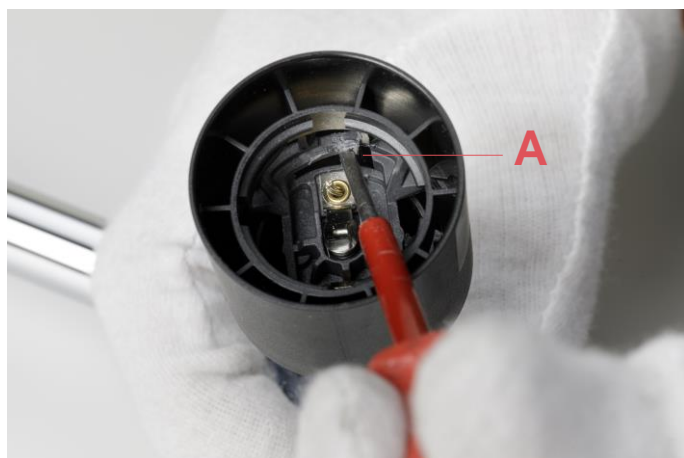


Fig.1

By utilizing a tiny flat screw driver, carefully push towards the inside, the lateral spring (A) of the lamp holder.

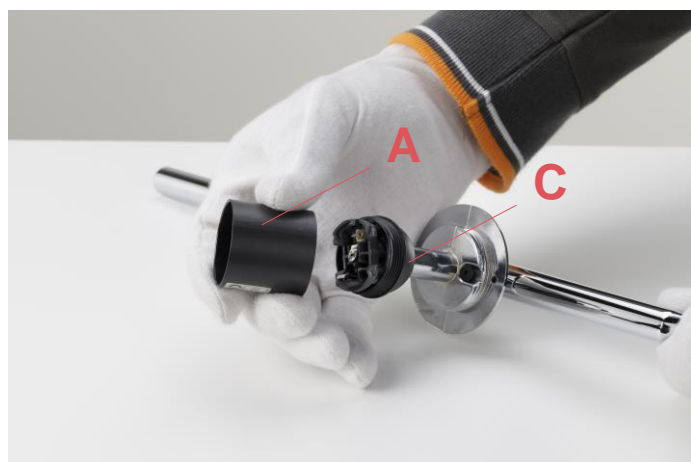


Fig.2

Unfasten the lamp holder sleeve (B) from the support (C).

**WARNING!** When installing and whenever acting on the appliance, ensure that the power supply has been switched off.  
For the installation of the spare-part, it is necessary to consult a qualified electrician.

IC S2 F3176059

EN

## RF3160100

E27 LAMP HOLDER ASSEMBLY

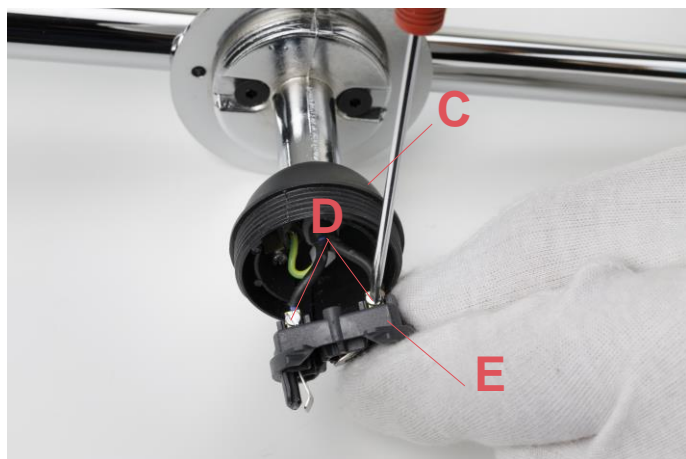


Fig.3

Disconnect the wires from the fitting (E) electrical terminals (D).



Fig.4

Remove the fitting (E) from the support (C) and disconnect the earth wire from the terminal (F).

**WARNING!** When installing and whenever acting on the appliance, ensure that the power supply has been switched off. For the installation of the spare-part, it is necessary to consult a qualified electrician.

## RF3160100

E27 LAMP HOLDER ASSEMBLY



Fig.5

Unfasten the screw (G) and remove the support (C) by unfastening it from the threaded pin (H).

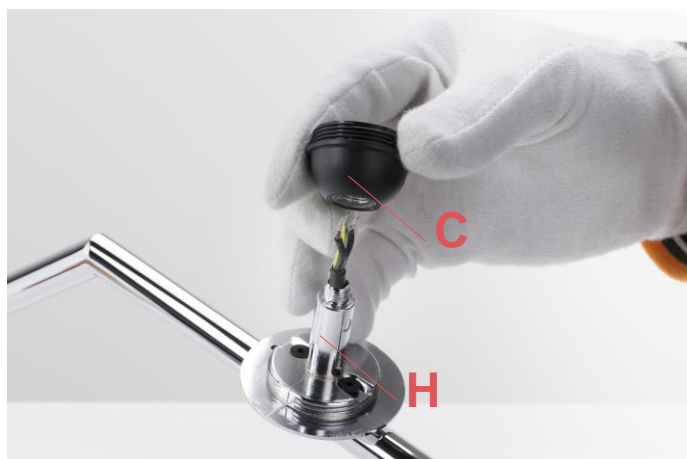


Fig.6

Assemble now the new spare-part:

Fasten the lamp holder support (C) to the threaded pin (H) and lock the support onto the threaded pin (H) by fastening the screw (G). (Fig.5-6)

Connect the earth wire to the terminal (F) and then connect the electrical wires by respecting the polarities to the fitting (E) terminals (D). (Fig.3 page 15)

Position the fitting (E) into the support (C) and fasten the lamp holder sleeve (B). (Fig.2 page 13)

**WARNING!** When installing and whenever acting on the appliance, ensure that the power supply has been switched off. For the installation of the spare-part, it is necessary to consult a qualified electrician.



IC S2 F3176059

EN

**RF3160100**

E27 LAMP HOLDER ASSEMBLY

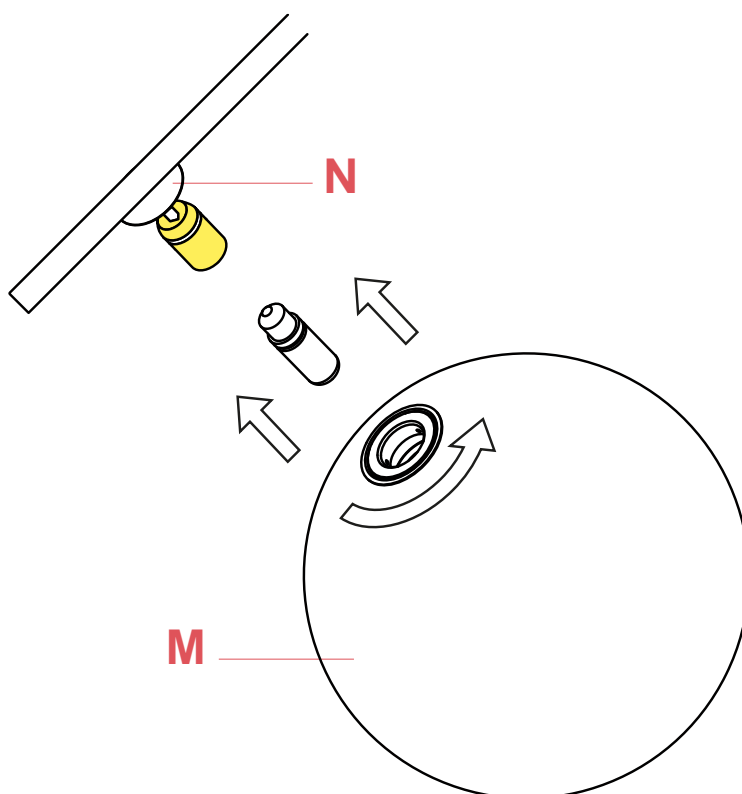


Fig.7

Insert the lamp bulb and fasten the glass diffuser (M) to the ferrule (N) of the lamp body.

WARNING! When installing and whenever acting on the appliance, ensure that the power supply has been switched off.  
For the installation of the spare-part, it is necessary to consult a qualified electrician.

©2021 Flos - All rights reserved - [www.flos.com](http://www.flos.com)  
Flos reserves the right to introduce any changes to its own models, without prior notice.