

RF4640100

Ok Anchor with hook



WARNING! When installing and whenever acting on the appliance, ensure that the power supply has been switched off.
For the installation of the spare-part, it is necessary to consult a qualified electrician.

RF4640100

Ok Anchor with hook

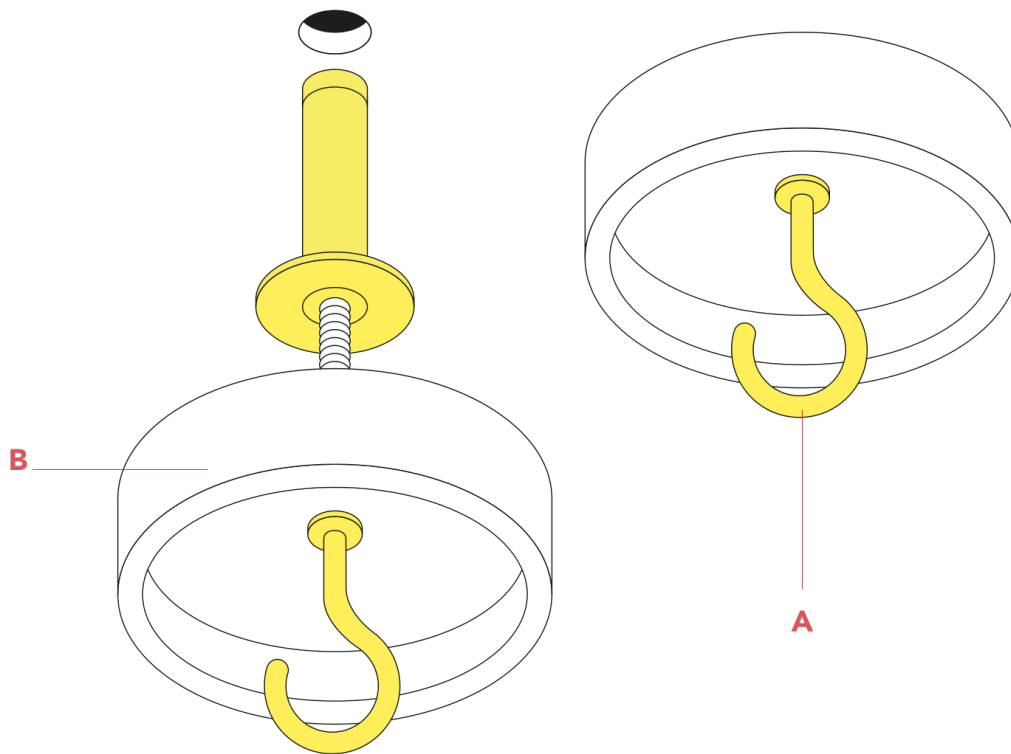


Fig.1

Unfasten the hook (A) from the plug, pass it through the rose (B). Drill a hole in the ceiling and insert the plug.
Screw tight and fix the rose.

NOTE: choose the right plug for the mounting surface.

WARNING! When installing and whenever acting on the appliance, ensure that the power supply has been switched off.
For the installation of the spare-part, it is necessary to consult a qualified electrician.