

## RF11919

Ring nut



WARNING! When installing and whenever acting on the appliance, ensure that the power supply has been switched off.  
For the installation of the spare-part, it is necessary to consult a qualified electrician.

**RF11919**

Ring nut

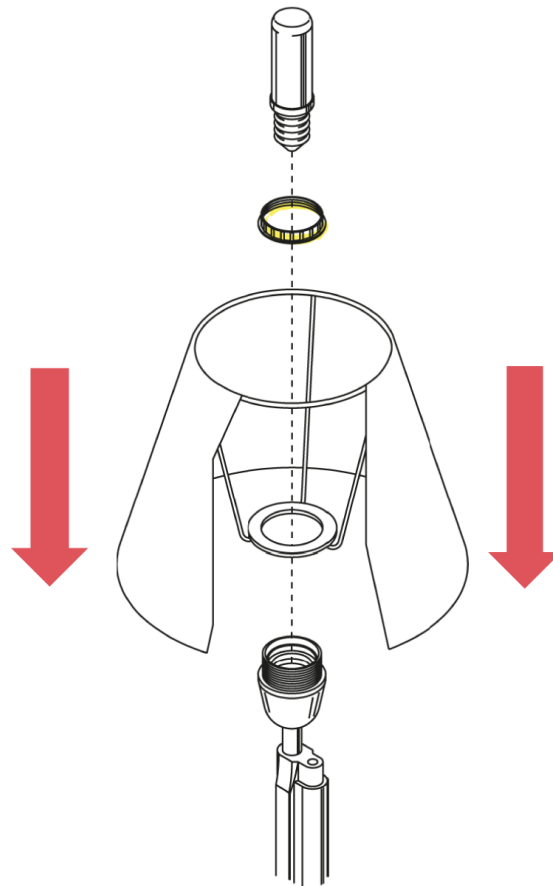


Fig.1

Place the diffuser on the main body.  
Lock the diffuser by fastening the new locking nut and insert the lamp bulb.

WARNING! When installing and whenever acting on the appliance, ensure that the power supply has been switched off.  
For the installation of the spare-part, it is necessary to consult a qualified electrician.

©2021 Flos - All rights reserved - [www.flos.com](http://www.flos.com)  
Flos reserves the right to introduce any changes to its own models, without prior notice.

**RF11919**

Ring nut

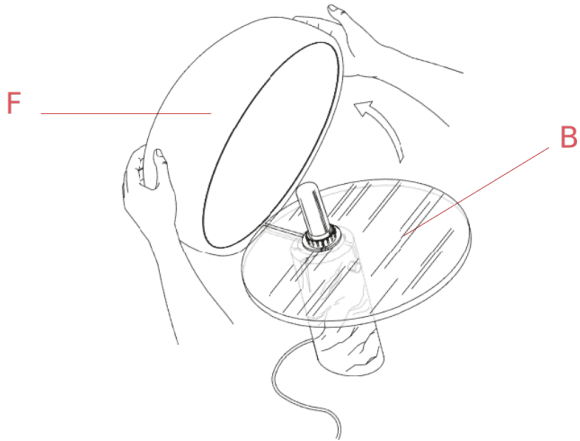


Fig.1

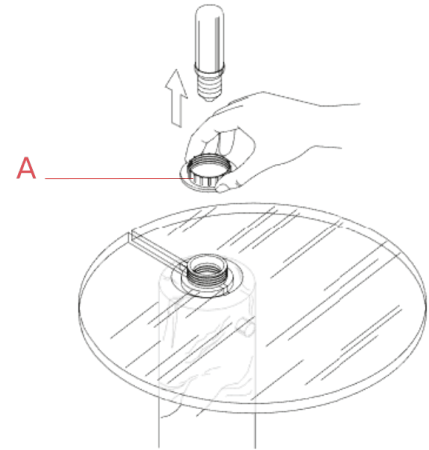


Fig.2

Remove the reflector (F) from the glass diffuser (B).  
Remove the lamp-bulb and unfasten the locking ring nut (A).

WARNING! When installing and whenever acting on the appliance, ensure that the power supply has been switched off.  
For the installation of the spare-part, it is necessary to consult a qualified electrician.

**RF11919**

Ring nut

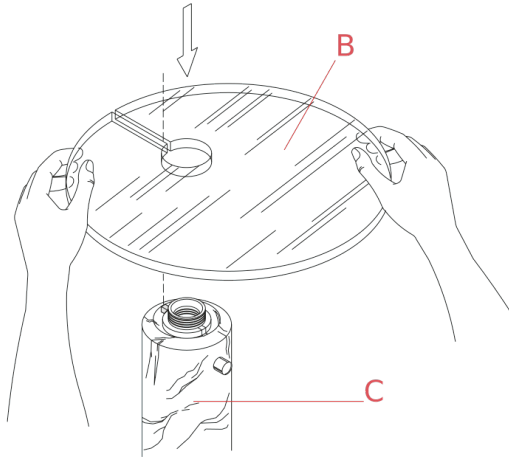


Fig.3

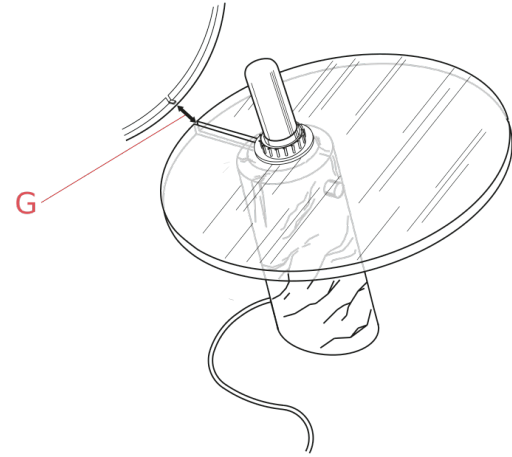


Fig.4

Place the glass diffuser (B) on the main body (C) ensuring that the groove (D) corresponds perfectly to the reference tooth (E).

Lock the glass diffuser (B) by fastening the new locking nut (A) and insert the lamp-bulb.

Position the reflector (F) (fig.1 page 3) on the glass (B) ensuring that the anti-rotation tooth (G) is inserted in the groove of the glass diffuser.

WARNING! When installing and whenever acting on the appliance, ensure that the power supply has been switched off.  
For the installation of the spare-part, it is necessary to consult a qualified electrician.