

RF9800200

Electrical assembly set



WARNING! When installing and whenever acting on the appliance, ensure that the power supply has been switched off.
For the installation of the spare-part, it is necessary to consult a qualified electrician.

RF9800200

Electrical assembly set

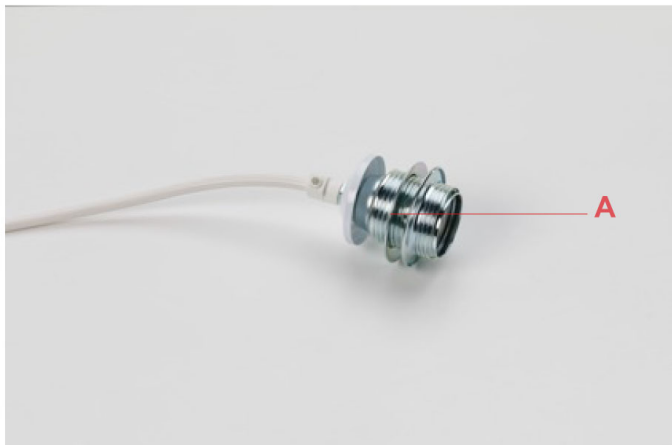


Fig.1



Fig.2

Separate the ring nut (A) from the lamp holder (B) unscrewing it.

WARNING! When installing and whenever acting on the appliance, ensure that the power supply has been switched off.
For the installation of the spare-part, it is necessary to consult a qualified electrician.

RF9800200

Electrical assembly set

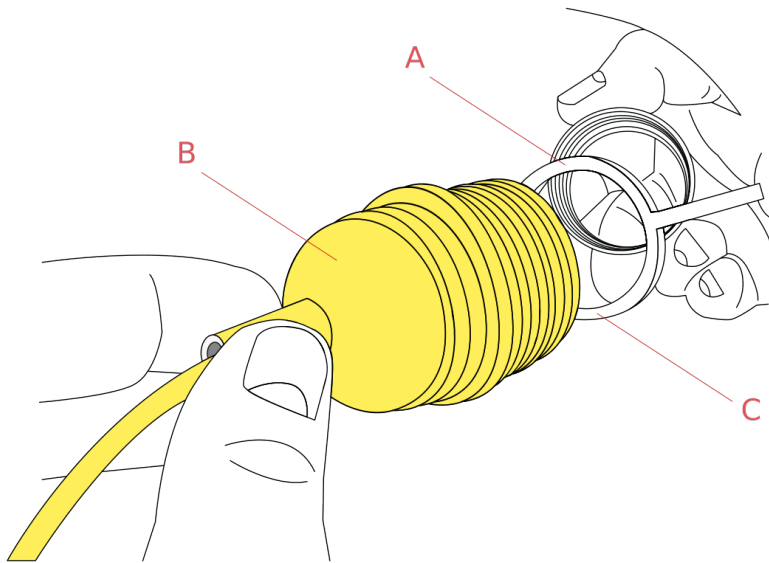


Fig.3

Insert the lamp holder (B) into the ring support (C) present in the Cocoon lamp structure and lock it by tightening the ring nut (C).

WARNING! When installing and whenever acting on the appliance, ensure that the power supply has been switched off.
For the installation of the spare-part, it is necessary to consult a qualified electrician.

RF9800200

Electrical assembly set

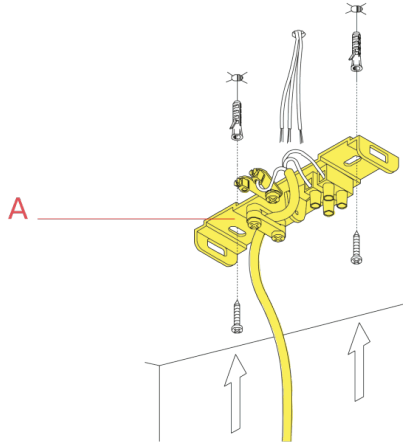


Fig.4

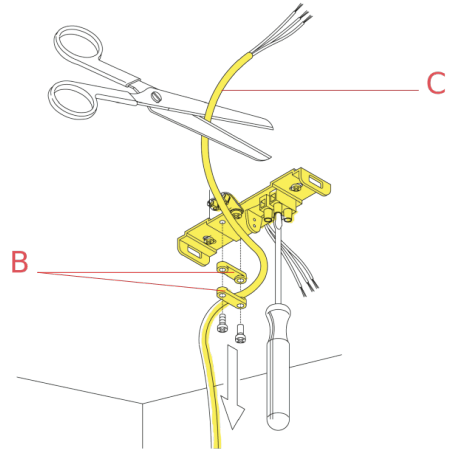


Fig.5

Fix the wall fixture (A) with the appropriate expansion bolts.

NOTE: Select and employ screw anchors which are suited to the surface where the appliance is to be installed.

Detach the cable clamp (B), disconnect the feed cable (C) and cut it at the height desired.

WARNING! When installing and whenever acting on the appliance, ensure that the power supply has been switched off.
For the installation of the spare-part, it is necessary to consult a qualified electrician.

RF9800200

Electrical assembly set

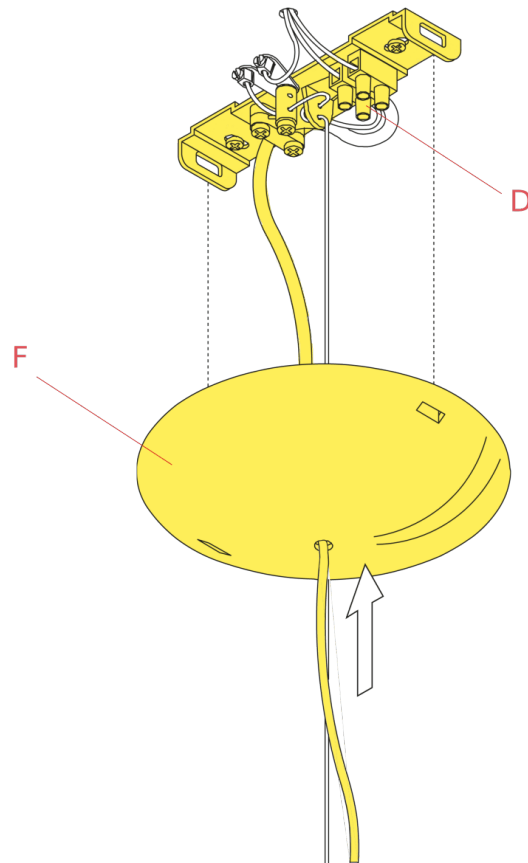


Fig.6

Connect the power cable to the terminal box (D) and connect the earth to its apposite terminal. Mount the ceiling-rose (F).

WARNING! When installing and whenever acting on the appliance, ensure that the power supply has been switched off.
For the installation of the spare-part, it is necessary to consult a qualified electrician.

RF9800200

Electrical assembly set

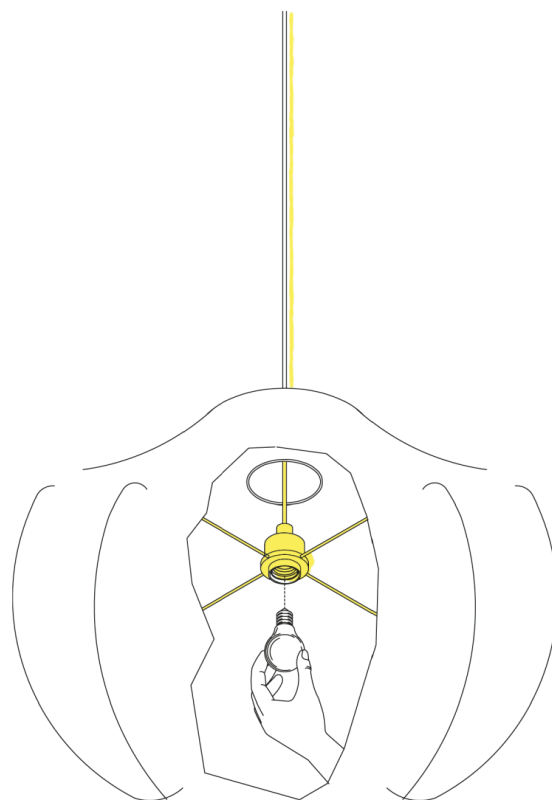


Fig. 7

Insert the lamp-bulb (Incandescent halogen light bulb MAX 100W attachment E27 type HSGS).

WARNING! When installing and whenever acting on the appliance, ensure that the power supply has been switched off.
For the installation of the spare-part, it is necessary to consult a qualified electrician.