

**RF23815**

Ic Table 2 Lower chrome leg



WARNING! When installing and whenever acting on the appliance, ensure that the power supply has been switched off.  
For the installation of the spare-part, it is necessary to consult a qualified electrician.

## RF23815

Ic Table 2 Lower chrome leg

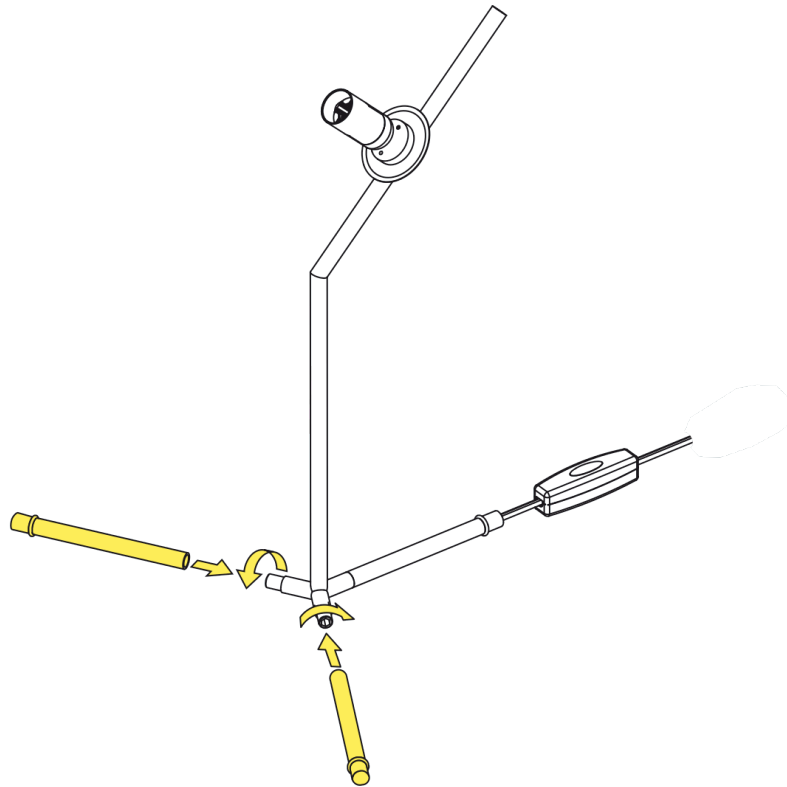


Fig.1

Unscrew the old legs and remove them from the body lamp.  
Screw the new legs in the body lamp (see the picture).

WARNING! When installing and whenever acting on the appliance, ensure that the power supply has been switched off.  
For the installation of the spare-part, it is necessary to consult a qualified electrician.