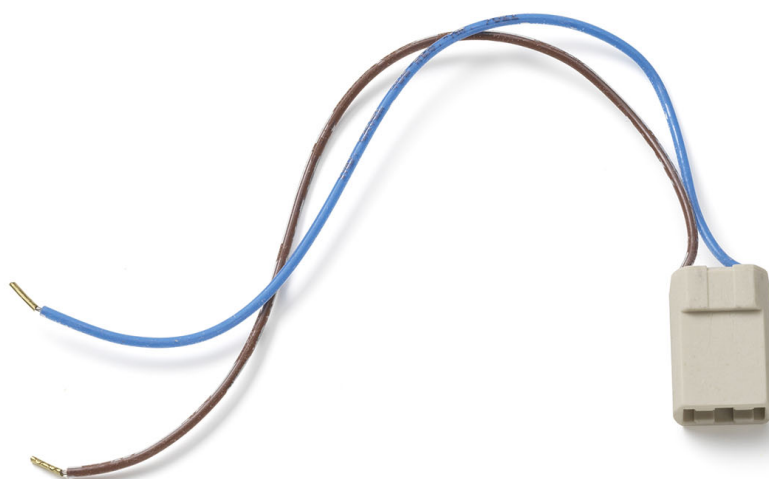


RF15709

G9 Lamp Holder



WARNING! When installing and whenever acting on the appliance, ensure that the power supply has been switched off.
For the installation of the spare-part, it is necessary to consult a qualified electrician.

RF15709

G9 Lamp Holder

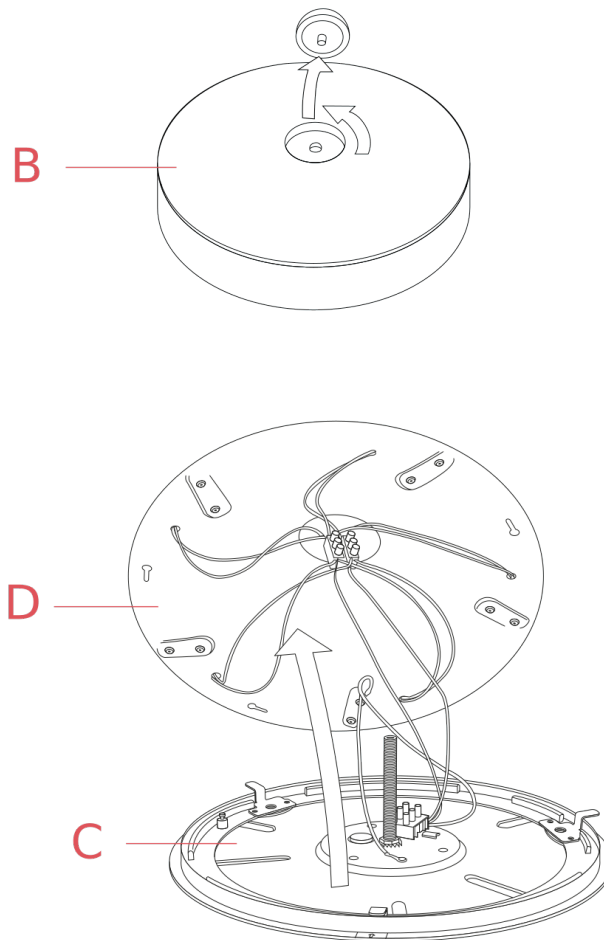


Fig.1

Unscrew the frieze (A) and remove the glass diffuser (B);
Separate the wall mounting (C) from the lamp body (D).

WARNING! When installing and whenever acting on the appliance, ensure that the power supply has been switched off.
For the installation of the spare-part, it is necessary to consult a qualified electrician.

RF15709

G9 Lamp Holder

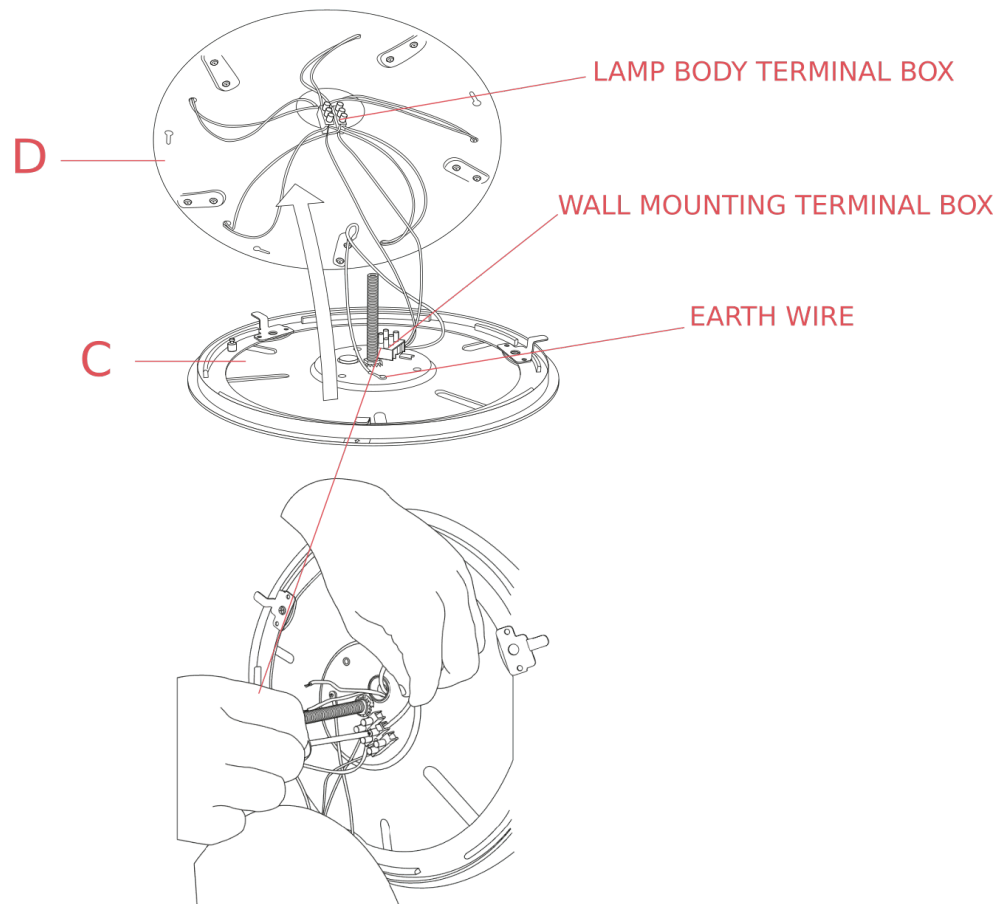


Fig.2

Disconnect the main power supply electrical wires (electrical wires that come-out from the clients wall or ceiling) from the wall mounting (C) terminal box;
Disconnect the earth wire on the wall mounting (C) by unfastening the screw;
Disconnect from the terminal box present on the wall mounting the wires that go to the other terminal box present on the lamp body (D).

WARNING! When installing and whenever acting on the appliance, ensure that the power supply has been switched off.
For the installation of the spare-part, it is necessary to consult a qualified electrician.

RF15709

G9 Lamp Holder

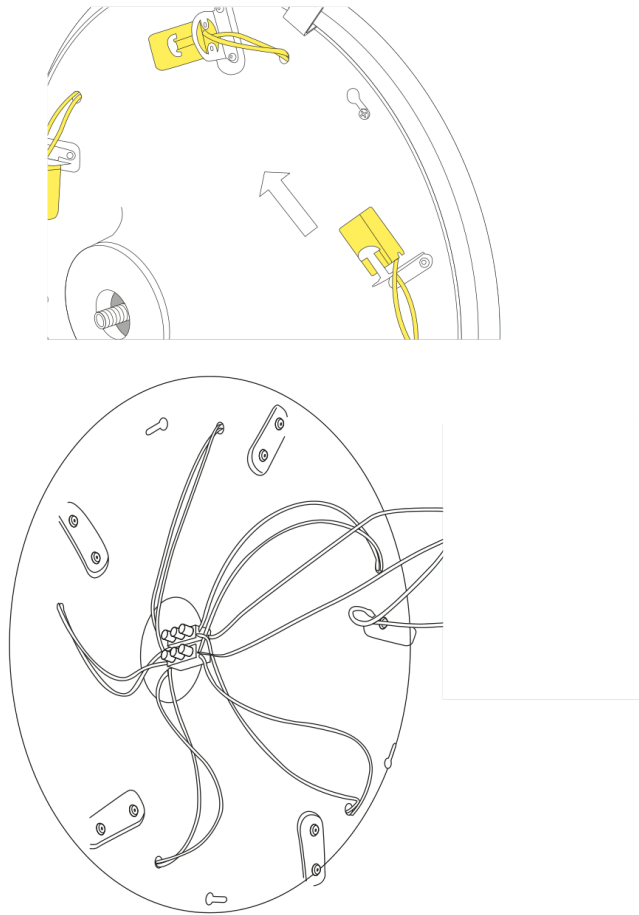


Fig.3

Point-out the wires of the damaged lamp holder and disconnect the wires from the terminal box; Remove the lamp holder with wires by slipping the wires out from the hole.
Replace the G9 fitting lamp holder.

WARNING! When installing and whenever acting on the appliance, ensure that the power supply has been switched off.
For the installation of the spare-part, it is necessary to consult a qualified electrician.