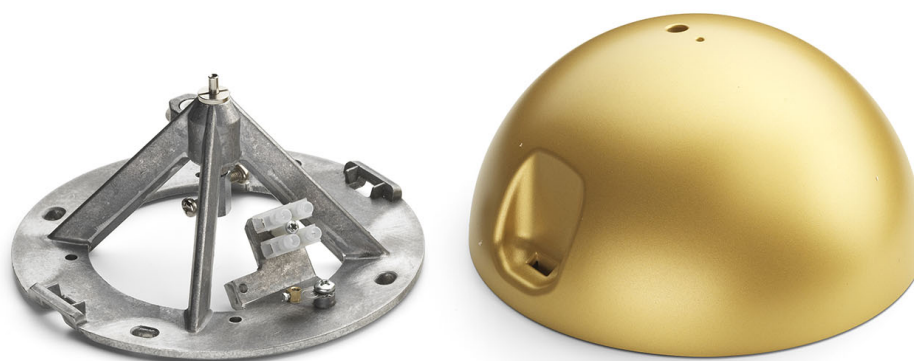


RF6420244

Skygarden 2 Gold ceiling rose assembly



WARNING! When installing and whenever acting on the appliance, ensure that the power supply has been switched off.
For the installation of the spare-part, it is necessary to consult a qualified electrician.

RF6420244

Skygarden 2 Gold ceiling rose assembly

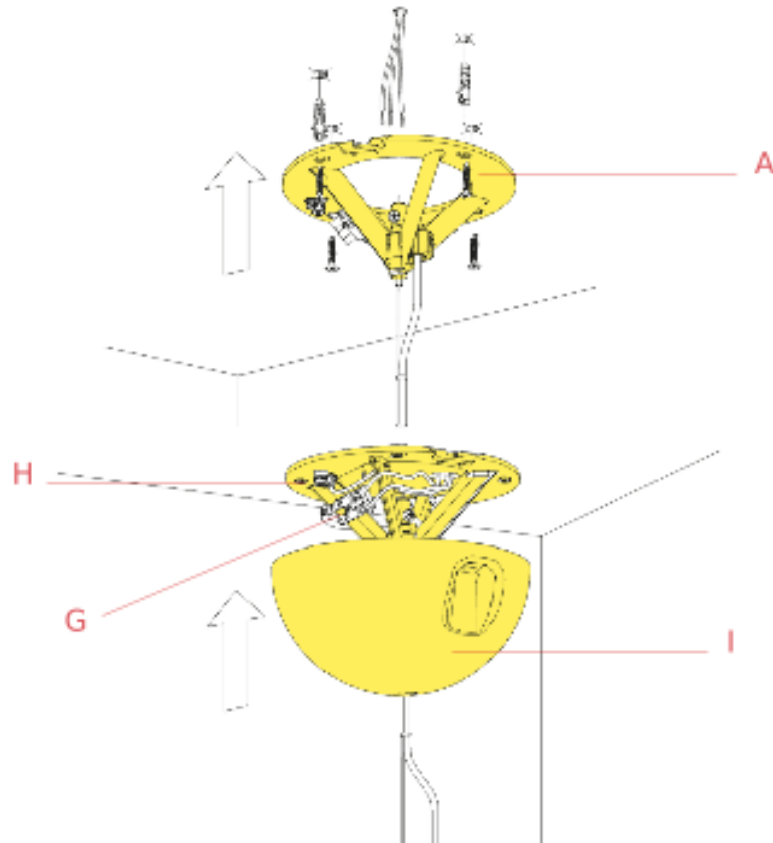


Fig.1

Fix the wall fixture (A) with the appropriate expansion bolts.

NOTE:

Select and employ screw plugs which are suited to the surface where the appliance is to be installed.
Connect the feed cables coming from the ceiling in the terminal box (G) and the earth cable to the earth terminal (H).

Assemble the ceiling rose (I).

WARNING! When installing and whenever acting on the appliance, ensure that the power supply has been switched off.
For the installation of the spare-part, it is necessary to consult a qualified electrician.