

RF84656

Snoopy glass diffuser



WARNING! When installing and whenever acting on the appliance, ensure that the power supply has been switched off.
For the installation of the spare-part, it is necessary to consult a qualified electrician.

RF84656

Snoopy glass diffuser

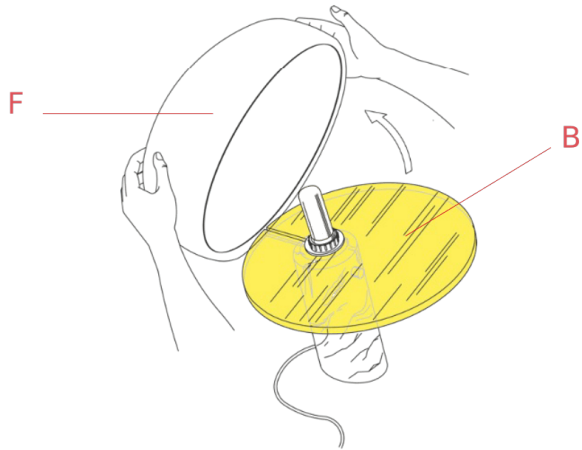


Fig.1

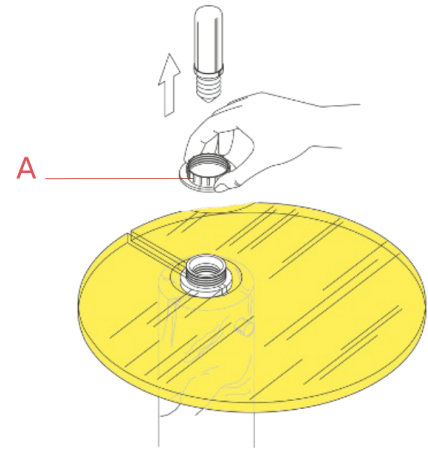


Fig.2

Remove the reflector (F) from the glass diffuser (B) that needs to be replaced.
Remove the glass diffuser (B) by removing the lamp-bulb and unfastening the locking ring nut (A).

WARNING! When installing and whenever acting on the appliance, ensure that the power supply has been switched off.
For the installation of the spare-part, it is necessary to consult a qualified electrician.

RF84656

Snoopy glass diffuser

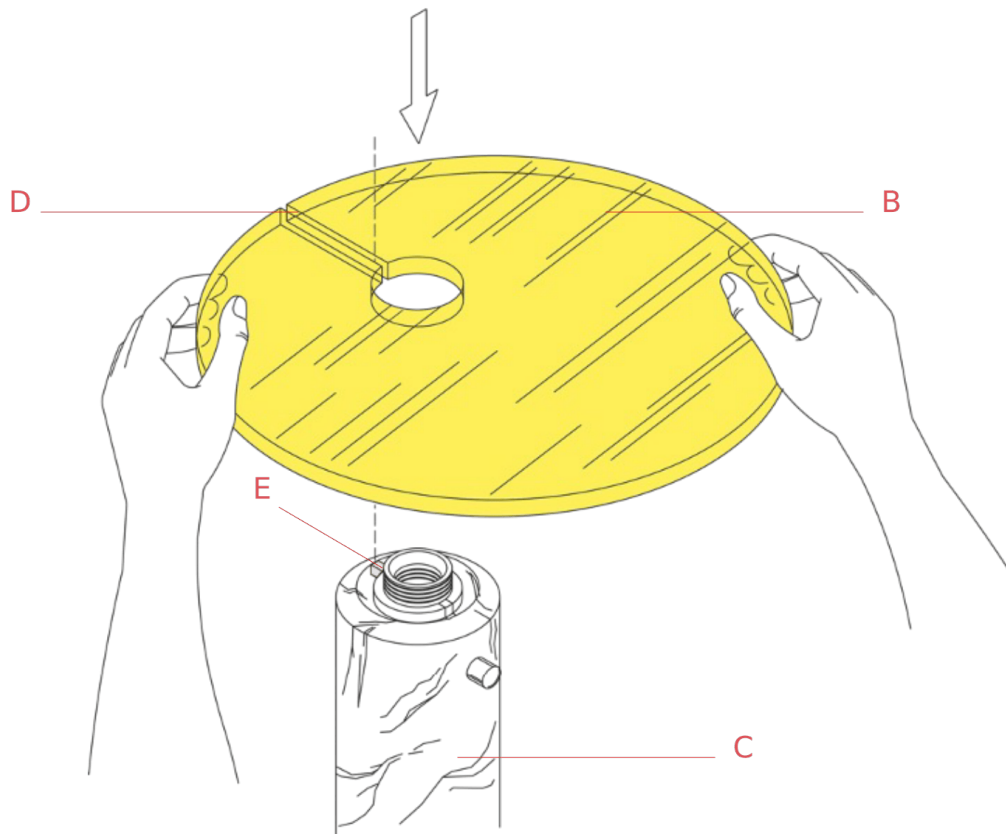


Fig.3

Assemble now the new spare-part:

Place the glass diffuser (B) on the main body (C) ensuring that the groove (D) corresponds perfectly to the reference tooth (E).

Lock the glass diffuser (B) by fastening the locking nut (A) (fig.2 page 6) and insert the lamp-bulb. Position the reflector (F) on the glass diffuser (B) ensuring that the anti-rotation tooth (G) is inserted in the groove of the glass diffuser. (fig.1 page 6)

WARNING! When installing and whenever acting on the appliance, ensure that the power supply has been switched off. For the installation of the spare-part, it is necessary to consult a qualified electrician.