

RF25606

Up transparent diffuser



WARNING! When installing and whenever acting on the appliance, ensure that the power supply has been switched off.
For the installation of the spare-part, it is necessary to consult a qualified electrician.

RF25606

Up transparent diffuser

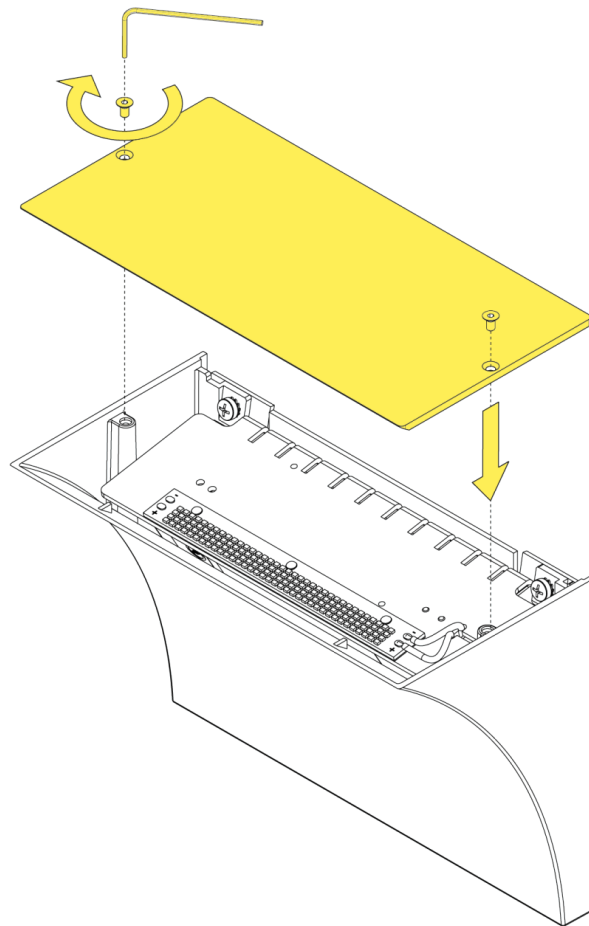


Fig.1

Put the transparent diffuser on the holes of the lamp body and then screw the screws using an allenwrench.

WARNING! When installing and whenever acting on the appliance, ensure that the power supply has been switched off.
For the installation of the spare-part, it is necessary to consult a qualified electrician.