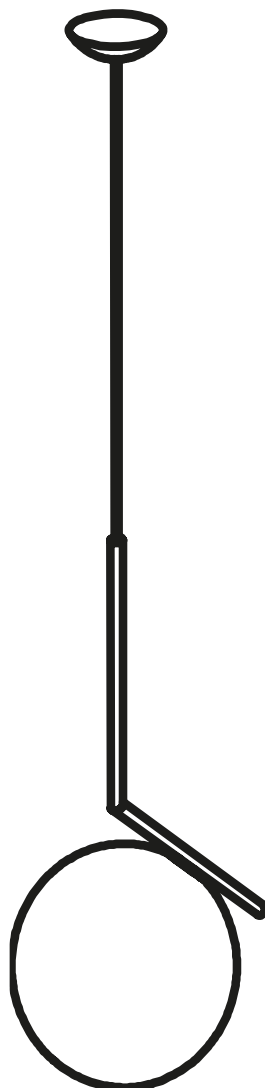


## IC S1

Designed by Michael Anastassiades, 2014

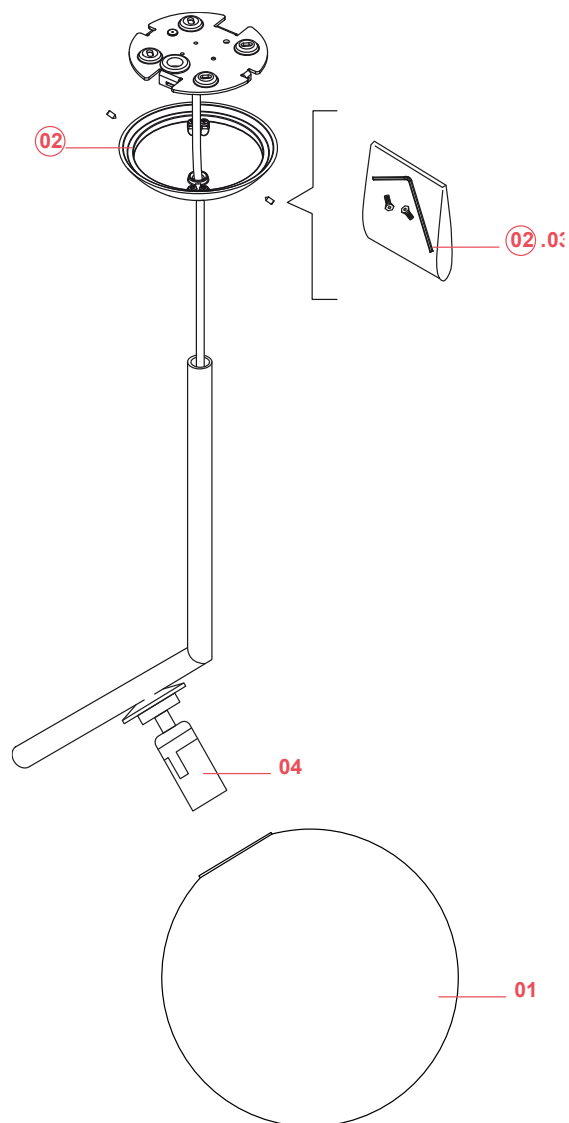
F3175030



## IC S1

F3175030

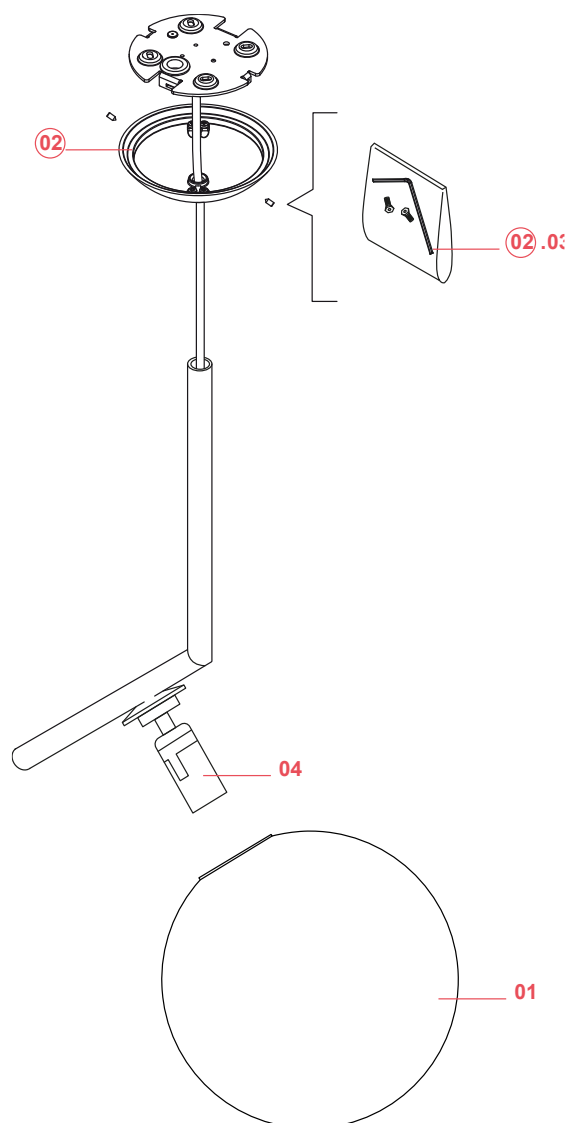
EN



## IC S1

F3175030

EN



**01. F3136030A** – Glass diffuser S1 assembly for black version

**02. RF3170330** – S1/S2 black ceiling rose assembly

**03. RF3160100** – Kit with screws and Allen key

**04. RF3170100** – E14 lamp holder assembly

IC S1 F3175030

EN

## **F3136030A**

GLASS DIFFUSER S1 ASSEMBLY FOR BLACK VERSION



WARNING! When installing and whenever acting on the appliance, ensure that the power supply has been switched off.  
For the installation of the spare-part, it is necessary to consult a qualified electrician.

©2021 Flos - All rights reserved - [www.flos.com](http://www.flos.com)

Flos reserves the right to introduce any changes to its own models, without prior notice.

IC S1 F3175030

EN

**F3136030A**

GLASS DIFFUSER S1 ASSEMBLY FOR BLACK VERSION

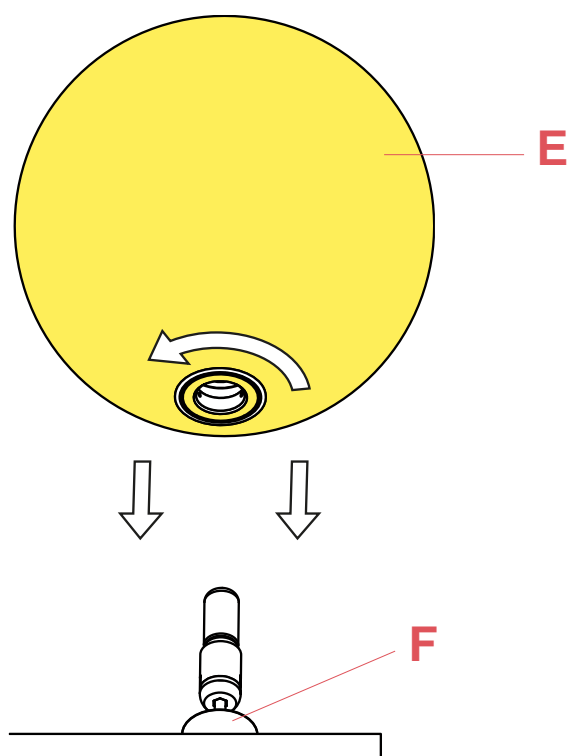


Fig.1

Assemble the glass diffuser (E) by fastening it delicately to the lamp body's ferrule (F).

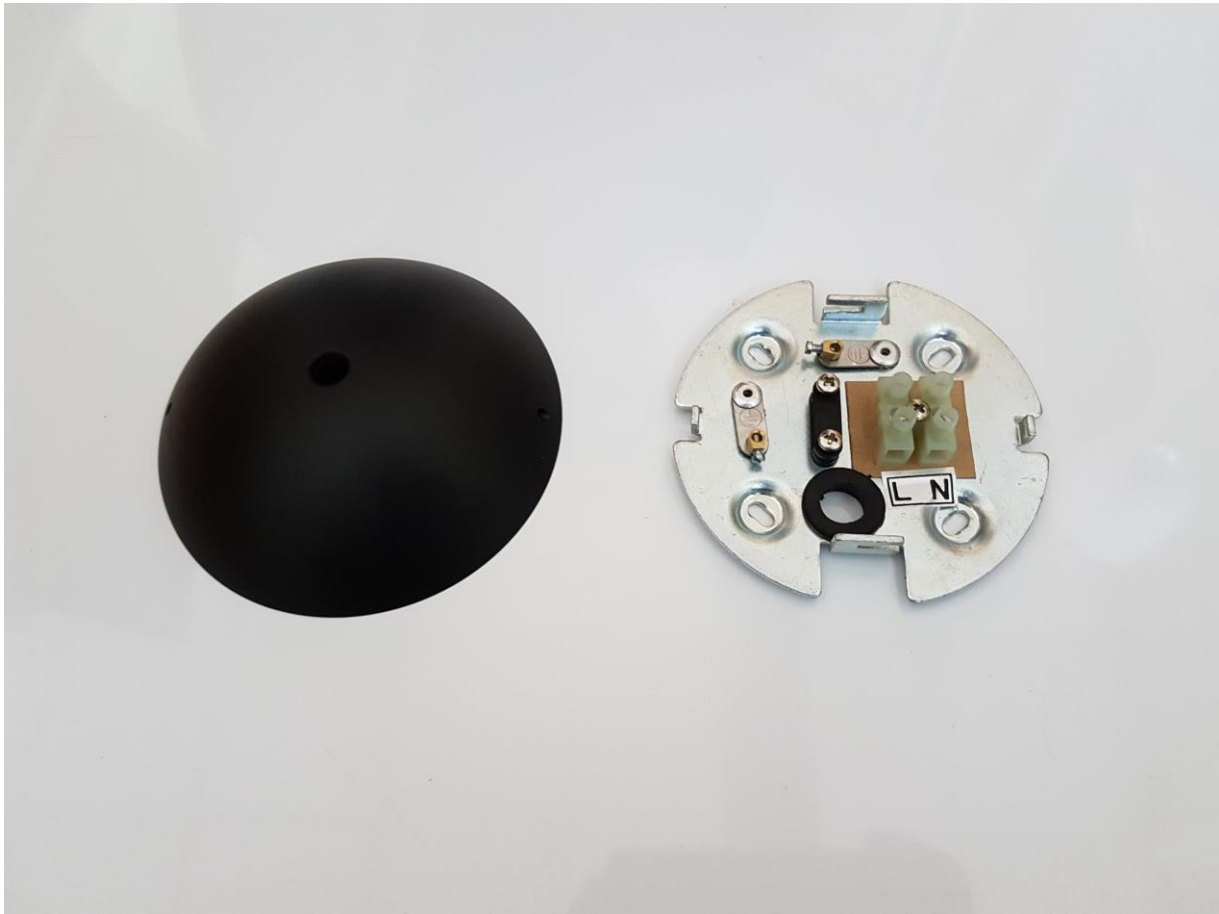
WARNING! When installing and whenever acting on the appliance, ensure that the power supply has been switched off.  
For the installation of the spare-part, it is necessary to consult a qualified electrician.

IC S1 F3175030

EN

## RF3170330

S1/S2 BLACK CEILING ROSE ASSEMBLY



WARNING! When installing and whenever acting on the appliance, ensure that the power supply has been switched off.  
For the installation of the spare-part, it is necessary to consult a qualified electrician.

©2021 Flos - All rights reserved - [www.flos.com](http://www.flos.com)

Flos reserves the right to introduce any changes to its own models, without prior notice.

IC S1 F3175030

EN

## RF3170330

S1/S2 BLACK CEILING ROSE ASSEMBLY

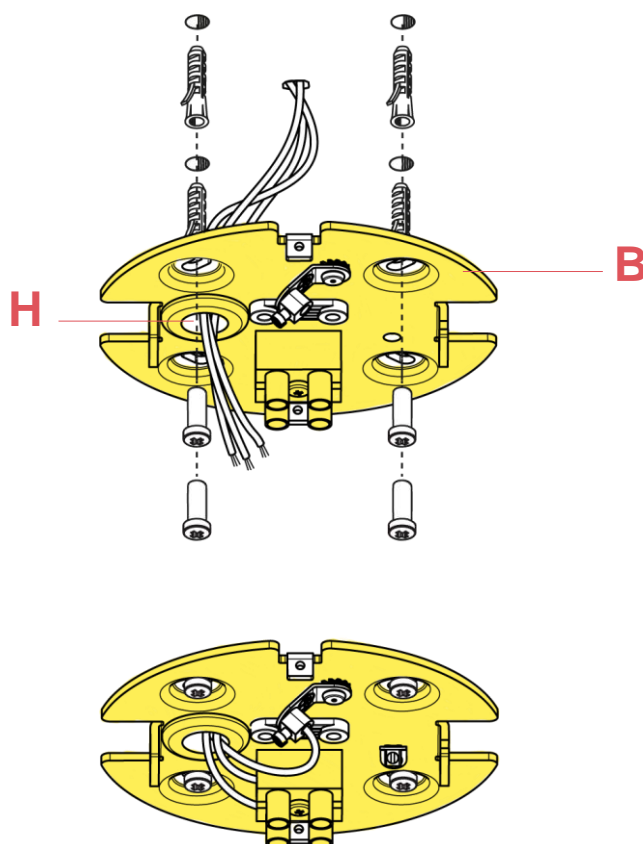


Fig.1

Install the wall fitting (B) to the ceiling with screws and plugs, ensuring that the power wires pass through the hole (H).

**REMARKS!!!** Choose screw plugs that are suitable for the type of mounting surface

WARNING! When installing and whenever acting on the appliance, ensure that the power supply has been switched off.  
For the installation of the spare-part, it is necessary to consult a qualified electrician.

IC S1 F3175030

EN

**RF3170330**

S1/S2 BLACK CEILING ROSE ASSEMBLY

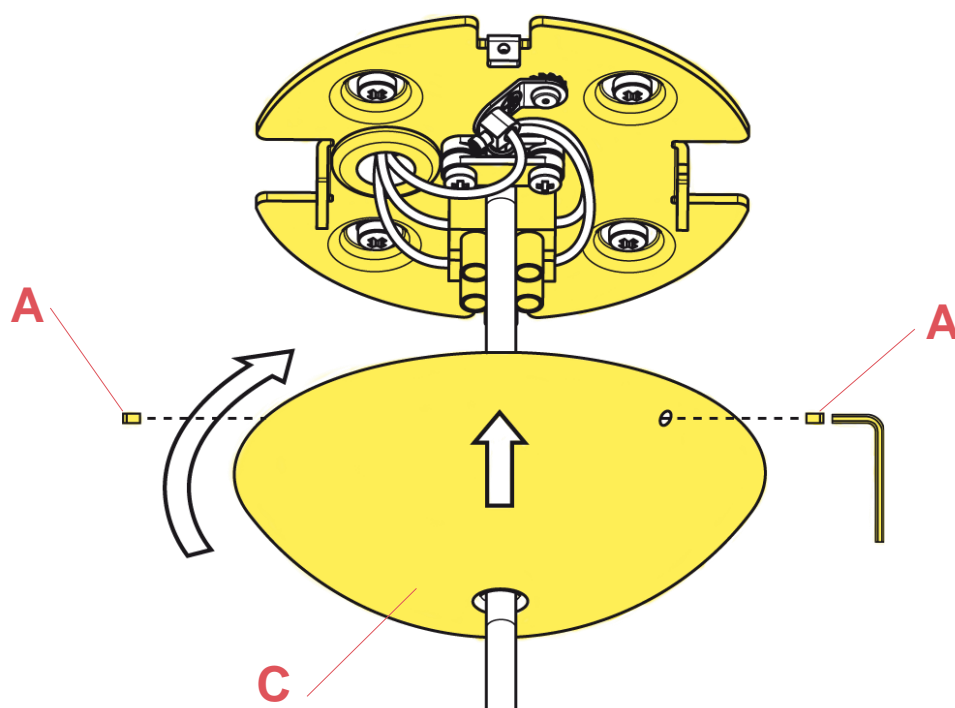


Fig.2

Assemble the ceiling rose on the ceiling attachment by fastening it with a slight clockwise rotation to then lock it by screwing the headless screws (A).

WARNING! When installing and whenever acting on the appliance, ensure that the power supply has been switched off.  
For the installation of the spare-part, it is necessary to consult a qualified electrician.

©2021 Flos - All rights reserved - [www.flos.com](http://www.flos.com)  
Flos reserves the right to introduce any changes to its own models, without prior notice.

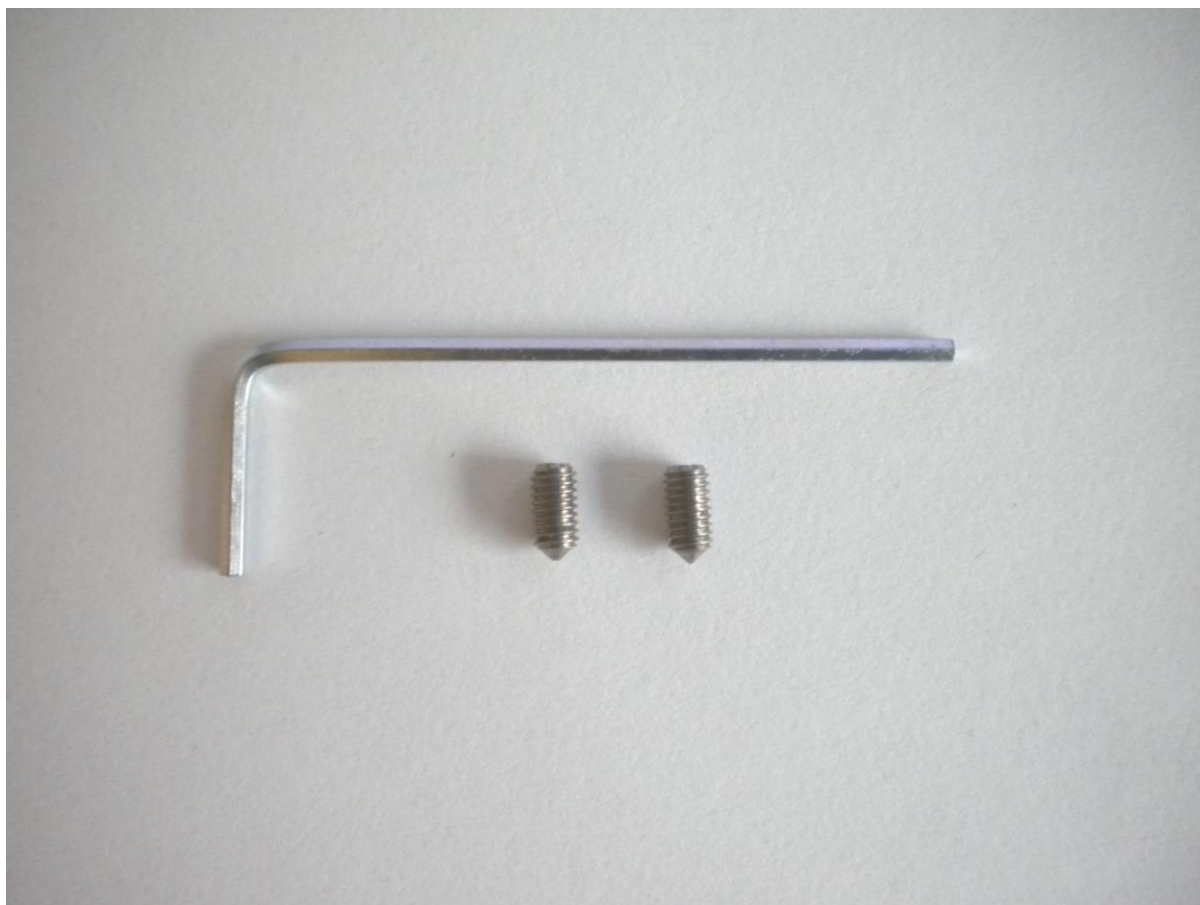


IC S1 F3175030

EN

## RF3160100

KIT WITH SCREWS AND ALLEN KEY



WARNING! When installing and whenever acting on the appliance, ensure that the power supply has been switched off.  
For the installation of the spare-part, it is necessary to consult a qualified electrician.

©2021 Flos - All rights reserved - [www.flos.com](http://www.flos.com)

Flos reserves the right to introduce any changes to its own models, without prior notice.

IC S1 F3175030

EN

**RF3160100**

KIT WITH SCREWS AND ALLEN KEY

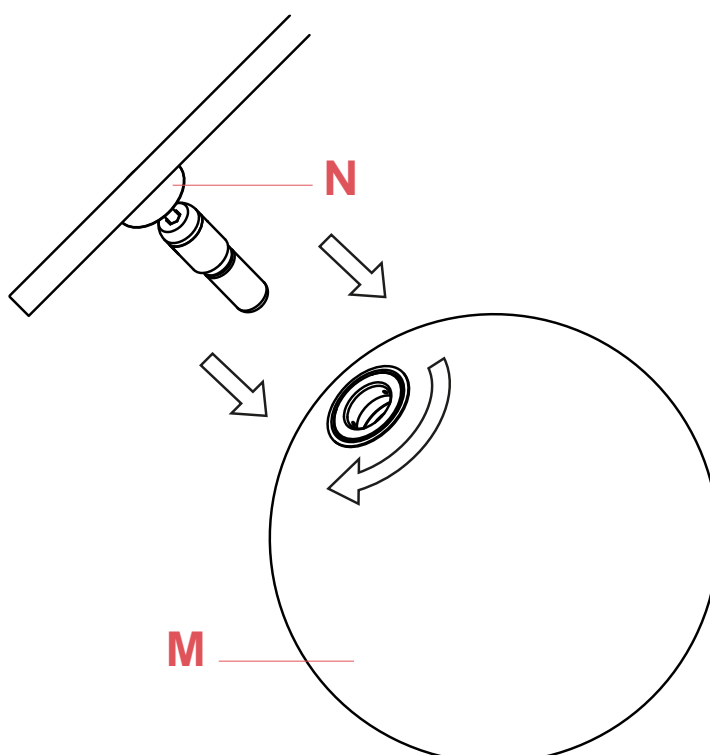


Fig.1

Before proceeding in installing the screws, please verify that the glass diffuser (M) has been removed. If not, please remove to the glass diffuser (M) to avoid possible damages.

WARNING! When installing and whenever acting on the appliance, ensure that the power supply has been switched off.  
For the installation of the spare-part, it is necessary to consult a qualified electrician.

©2021 Flos - All rights reserved - [www.flos.com](http://www.flos.com)  
Flos reserves the right to introduce any changes to its own models, without prior notice.

IC S1 F3175030

EN

**RF3160100**

KIT WITH SCREWS AND ALLEN KEY

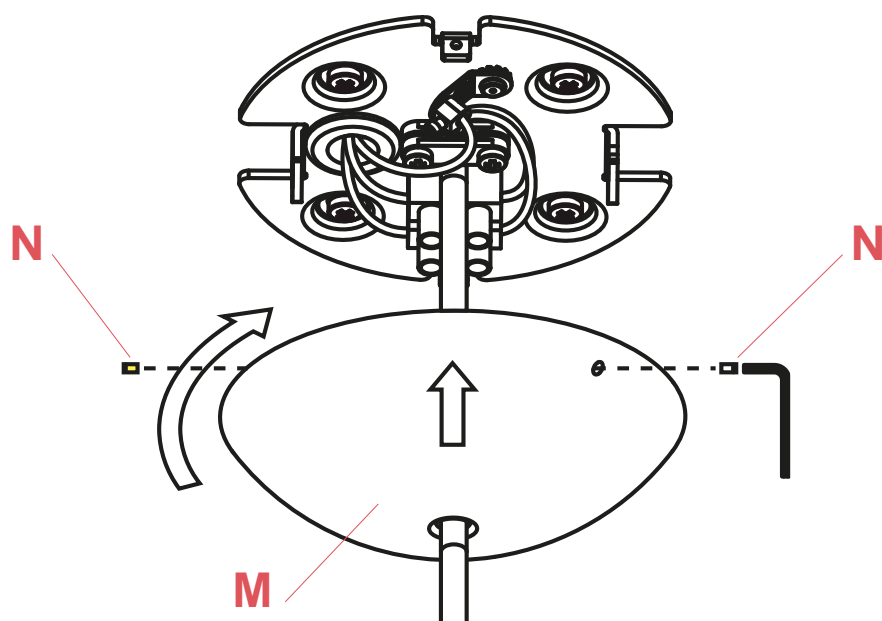


Fig.2

Assemble the ceiling rose on the ceiling attachment by fastening it with a slight clockwise rotation to then lock it by screwing the headless screws (A).  
Assemble back the glass diffuser (M) by fastening it delicately to the lamp body's ferrule (N). (Fig.1 page 10)

WARNING! When installing and whenever acting on the appliance, ensure that the power supply has been switched off.  
For the installation of the spare-part, it is necessary to consult a qualified electrician.

©2021 Flos - All rights reserved - [www.flos.com](http://www.flos.com)  
Flos reserves the right to introduce any changes to its own models, without prior notice.

IC S1 F3175030

EN

## RF3170100

E14 LAMP HOLDER ASSEMBLY



WARNING! When installing and whenever acting on the appliance, ensure that the power supply has been switched off.  
For the installation of the spare-part, it is necessary to consult a qualified electrician.

©2021 Flos - All rights reserved - [www.flos.com](http://www.flos.com)  
Flos reserves the right to introduce any changes to its own models, without prior notice.

IC S1 F3175030

EN

**RF3170100**

E14 LAMP HOLDER ASSEMBLY

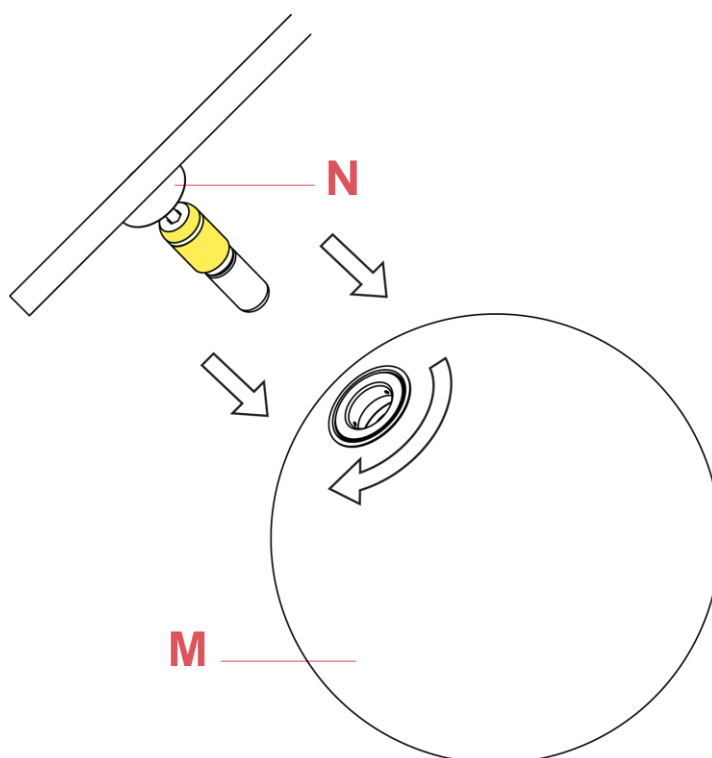


Fig.1

Unfasten the glass diffuser (M) and lamp-bulb from the lamp fixture.

WARNING! When installing and whenever acting on the appliance, ensure that the power supply has been switched off.  
For the installation of the spare-part, it is necessary to consult a qualified electrician.

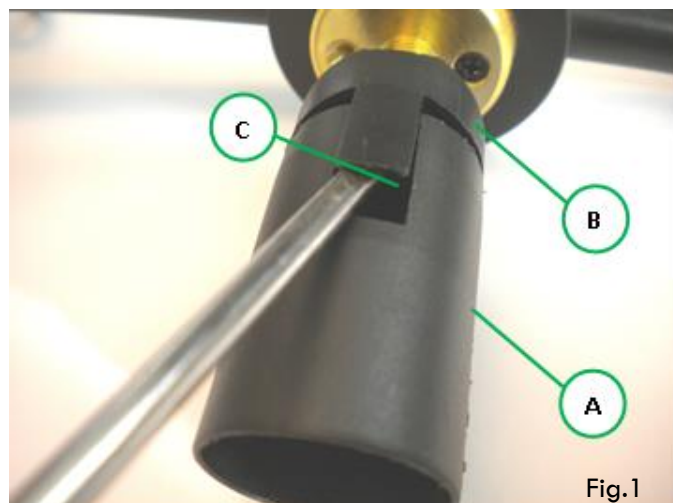
©2021 Flos - All rights reserved - [www.flos.com](http://www.flos.com)  
Flos reserves the right to introduce any changes to its own models, without prior notice.

IC S1 F3175030

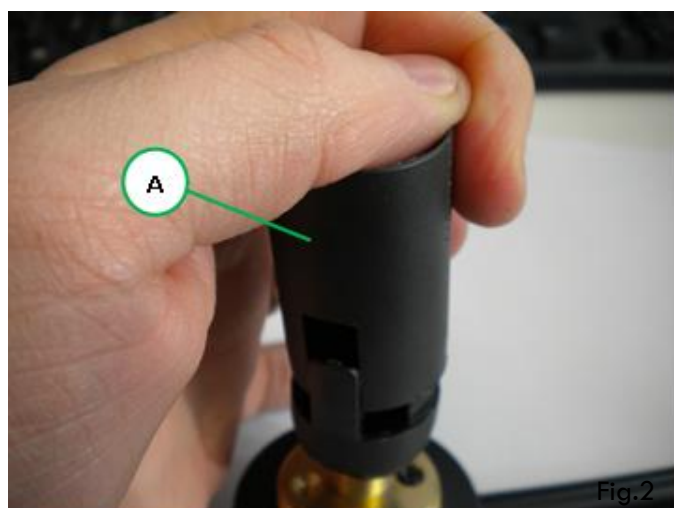
EN

**RF3170100**

E14 LAMP HOLDER ASSEMBLY



Unhook the lamp holder (A) from the lamp holder support (B) by inserting a flat screwdriver through the 2 lateral openings (C).



At this point break the lamp holder (A). Ensure to leave the electrical conductors intact and do not cut the wires.

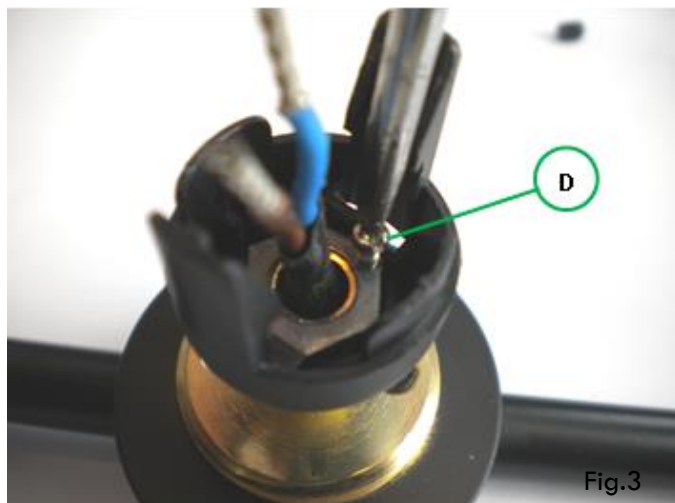
**WARNING!** When installing and whenever acting on the appliance, ensure that the power supply has been switched off.  
For the installation of the spare-part, it is necessary to consult a qualified electrician.

IC S1 F3175030

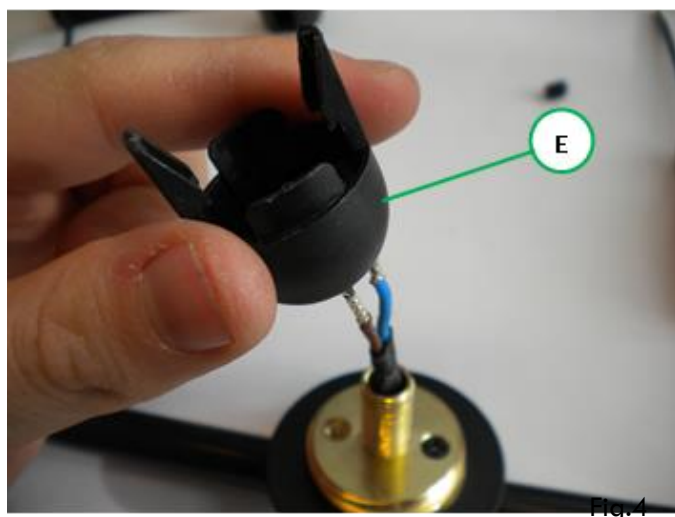
EN

**RF3170100**

E14 LAMP HOLDER ASSEMBLY



Unfasten the screw (D) and remove the lamp holder support (E) by unfastening it from the threaded pin (F).



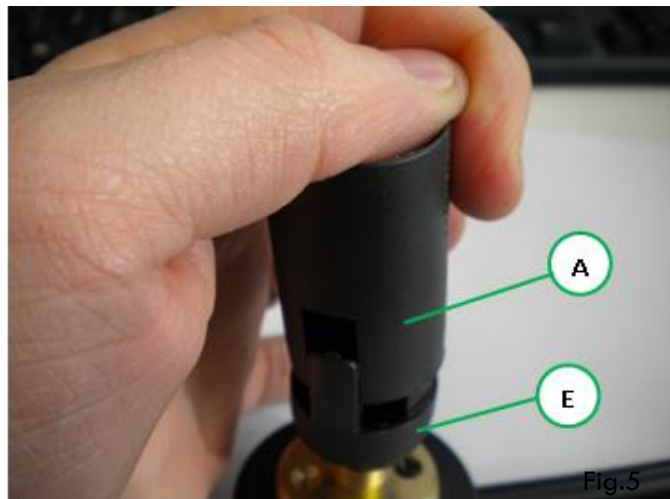
Assemble now the new spare-part:

Fasten the lamp holder support (E) to the threaded pin (F) and lock the support onto the threaded pin (F) by fastening the screw (D).

WARNING! When installing and whenever acting on the appliance, ensure that the power supply has been switched off.  
For the installation of the spare-part, it is necessary to consult a qualified electrician.

## RF3170100

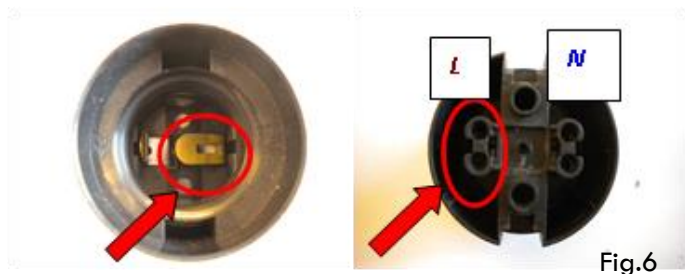
E14 LAMP HOLDER ASSEMBLY



Connect the electrical conductors by pushing the wires inside the lamp holder terminals with a pair of pliers.

Connect the electrical wires of the lamp holder. Connect the Brown "L" (live) wire in the terminal that corresponds (opposite side) to the centre brass contact of the lamp holder and then connect the Blue "N" (neutral) wire in the other terminal.

**HITS!!!** The electrical wires are connected by pushing the wires inside the terminals, therefore it is necessary to verify that they are connected properly.



Brass contact of the lampholder

Electrical terminal

At this point lock the lamp holder (A) to the support (E) by pushing it against the 2 lateral hooks. The support has two lateral hooks. This allows the lamp holder (A) to fix on the support (B).

**WARNING!** When installing and whenever acting on the appliance, ensure that the power supply has been switched off. For the installation of the spare-part, it is necessary to consult a qualified electrician.



IC S1 F3175030

EN

**RF3170100**

E14 LAMP HOLDER ASSEMBLY

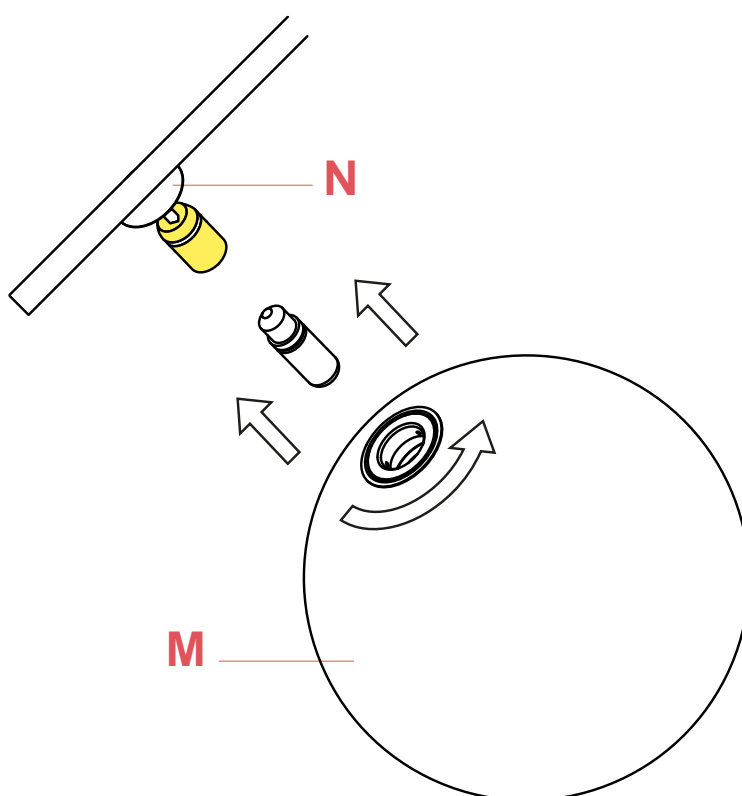


Fig.7

Insert the lamp bulb and fasten the glass diffuser (M) to the ferrule (N) of the lamp body.

WARNING! When installing and whenever acting on the appliance, ensure that the power supply has been switched off.  
For the installation of the spare-part, it is necessary to consult a qualified electrician.

©2021 Flos - All rights reserved - [www.flos.com](http://www.flos.com)  
Flos reserves the right to introduce any changes to its own models, without prior notice.