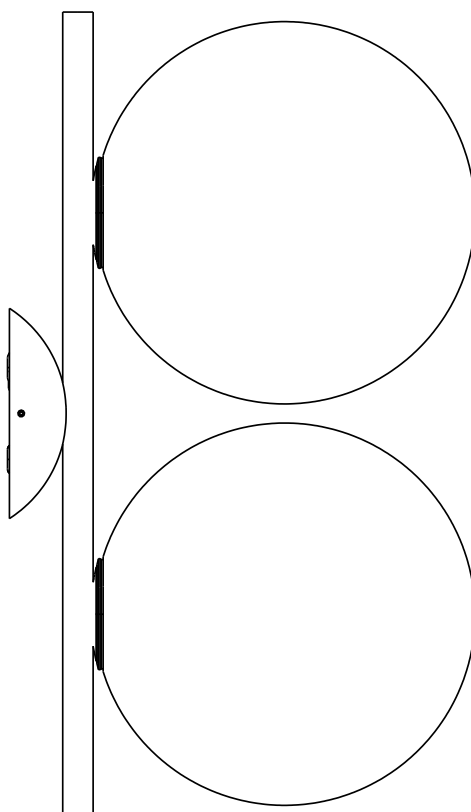


## IC C-W1 DOUBLE

Designed by Michael Anastassiades, 2014

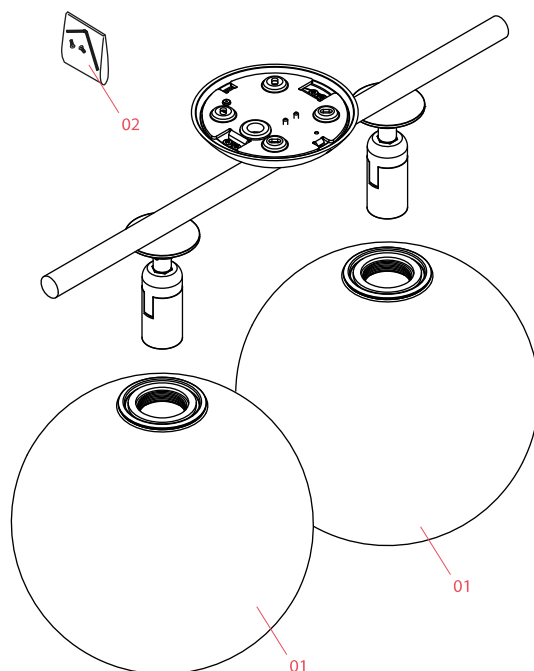
F3157059



## IC C-W1 DOUBLE

F3157059

EN



**01. F3136059** – Glass diffuser 1 assembly for brass version

**02. RF3160100** – Kit with screws and Allen key

IC C-W1 DOUBLE F3157059

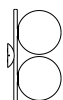
EN

## F3136059

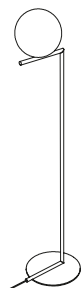
GLASS DIFFUSER 1 ASSEMBLY FOR BRASS VERSION



Ic-CW1  
p.03



Ic-CW1  
double  
p.03



Ic-F1  
p.03



Ic-S1  
p.03



Ic T1  
High  
p.03



Ic T1  
Low  
p.03

WARNING! When installing and whenever acting on the appliance, ensure that the power supply has been switched off.  
For the installation of the spare-part, it is necessary to consult a qualified electrician.

IC C-W1 DOUBLE F3157059

EN

**F3136059**

GLASS DIFFUSER 1 ASSEMBLY FOR BRASS VERSION

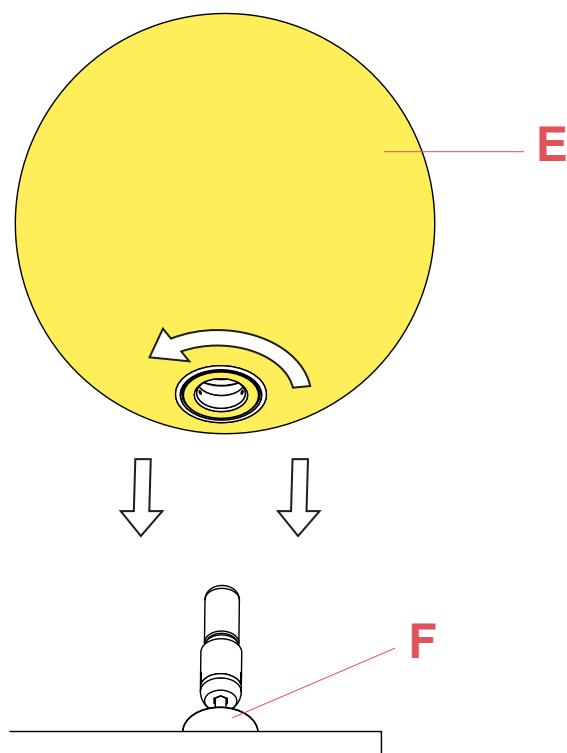


Fig.1

Assemble the glass diffuser (E) by fastening it delicately to the lamp body's ferrule (F).

WARNING! When installing and whenever acting on the appliance, ensure that the power supply has been switched off.  
For the installation of the spare-part, it is necessary to consult a qualified electrician.

IC C-W1 DOUBLE F3157059

EN

## RF3160100

KIT WITH SCREWS AND ALLEN KEY



Ic-CW1  
p.05



Ic-CW1  
double  
p.05



Ic-CW2  
p.05



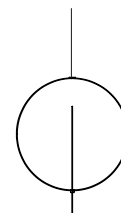
Ic-CW2  
double  
p.05



Ic-S1  
p.08



Ic-S2  
p.08



Overlap  
p.06

**WARNING!** When installing and whenever acting on the appliance, ensure that the power supply has been switched off. For the installation of the spare-part, it is necessary to consult a qualified electrician.

IC C-W1 DOUBLE F3157059

EN

**RF3160100**

KIT WITH SCREWS AND ALLEN KEY

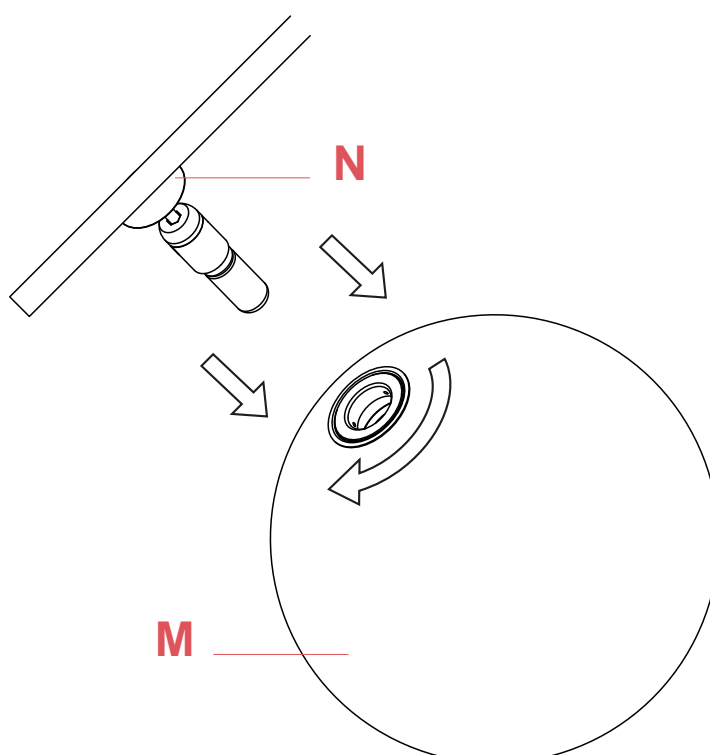


Fig.1

Before proceeding in installing the screws, please verify that the glass diffuser (M) has been removed. If not, please remove to the glass diffuser (M) to avoid possible damages.

WARNING! When installing and whenever acting on the appliance, ensure that the power supply has been switched off.  
For the installation of the spare-part, it is necessary to consult a qualified electrician.

©2021 Flos - All rights reserved - [www.flos.com](http://www.flos.com)  
Flos reserves the right to introduce any changes to its own models, without prior notice.

IC C-W1 DOUBLE F3157059

EN

## RF3160100

KIT WITH SCREWS AND ALLEN KEY

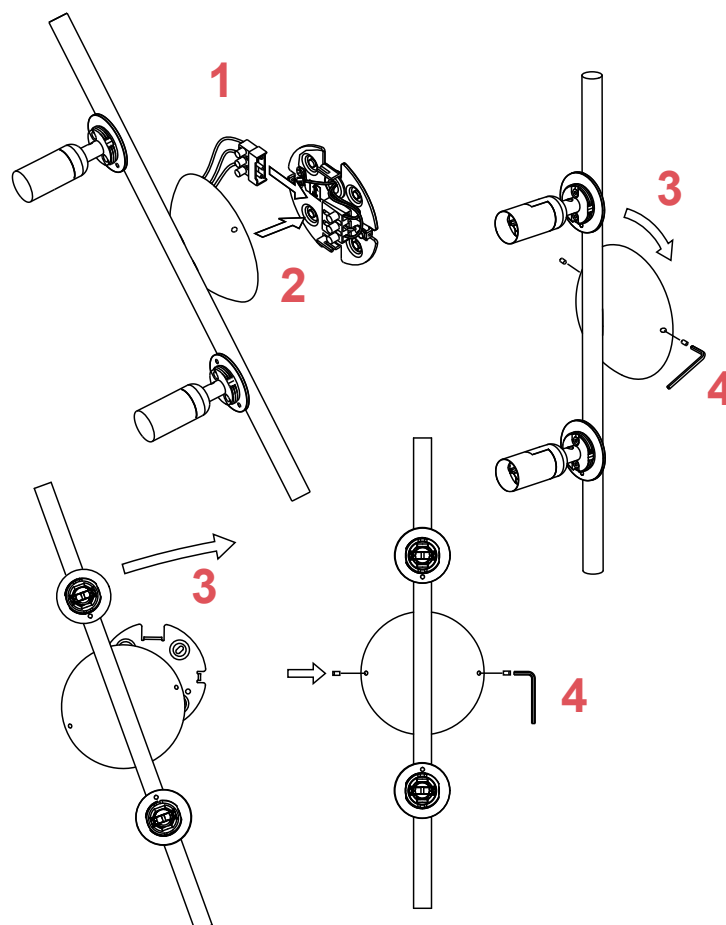


Fig.2

Assemble the ceiling rose on the ceiling attachment by fastening it with a slight clockwise rotation to then lock it by screwing the headless screws.

Assemble back the glass diffuser (M) by fastening it delicately to the lamp body's ferrule (N). (Fig.1 page 6)

WARNING! When installing and whenever acting on the appliance, ensure that the power supply has been switched off.  
For the installation of the spare-part, it is necessary to consult a qualified electrician.