

RF2500200

New version lamp holder



WARNING! When installing and whenever acting on the appliance, ensure that the power supply has been switched off.
For the installation of the spare-part, it is necessary to consult a qualified electrician.

RF2500200

New version lamp holder

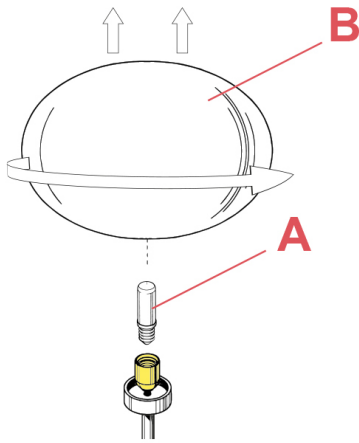


Fig.1

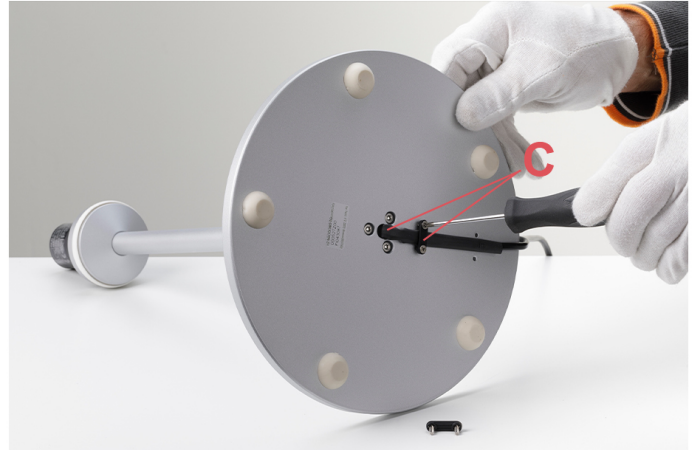


Fig.2

Remove the diffuser (B) and the lamp-bulb (A).

Lay the lamp body down on a clean towel.
Remove the cable clamps (C) by unfastening there apposite screws.

WARNING! When installing and whenever acting on the appliance, ensure that the power supply has been switched off.
For the installation of the spare-part, it is necessary to consult a qualified electrician.

©2021 Flos - All rights reserved - www.flos.com
Flos reserves the right to introduce any changes to its own models, without prior notice.

RF2500200

New version lamp holder



Fig.3



Fig.4

Remove the lamp holder.

Insert a flat headed screw driver inside the opening of the lateral clamp and unhook the lamp holder (D) from the support. Repeat the same operation also for the opposite side.

Remove the lamp holder from its support and disconnect the electrical wires by pressing the push terminals with a paper clip (E) or something similar.

Cut-off the cable tie (F).

WARNING! When installing and whenever acting on the appliance, ensure that the power supply has been switched off.
For the installation of the spare-part, it is necessary to consult a qualified electrician.

RF2500200

New version lamp holder



Fig.5



Fig.6

Remove the cable isolator (G) from the electrical cable.
Unfasten the locking screw (H) by utilizing a tiny flat headed screw driver.

WARNING! When installing and whenever acting on the appliance, ensure that the power supply has been switched off.
For the installation of the spare-part, it is necessary to consult a qualified electrician.

RF2500200

New version lamp holder



Fig.7



Fig.8

Remove the lamp holder support (I) by unfastening it from the assembly.

Assemble now the new spare-part:

Tighten the lamp holder support (I) onto the assembly and then fasten the locking screw (H) (Fig.6 page 35) by utilizing a flat headed screw driver.

Insert the isolator Fig.8 (F) (Fig.4 page 34).

WARNING! When installing and whenever acting on the appliance, ensure that the power supply has been switched off.
For the installation of the spare-part, it is necessary to consult a qualified electrician.

RF2500200

New version lamp holder



Fig.11

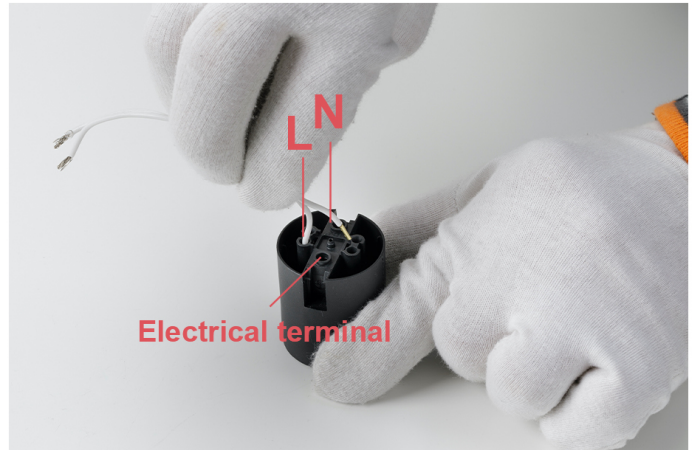


Fig.12

Connect the electrical wires to the lamp holder by utilizing always the paper clip.
Connect the Brown "L" (live) wire in the terminal that corresponds (opposite side) to the centre brass contact of the lamp holder and then connect the Blue "N" (neutral) wire in the other terminal.

N.B. The electrical wires are connected by pushing the wires inside the terminals, therefore it is necessary to verify that they are connected properly.

Now reassembly the lamp:

Hook the lamp holder (D) (Fig.3 page 34) on the support (I).(Fig.7 page 36)

Position the electrical cable between the threaded holes and fix the cable clamps (C) by fastening the screws.
(Fig.2 page 33)

WARNING! When installing and whenever acting on the appliance, ensure that the power supply has been switched off.
For the installation of the spare-part, it is necessary to consult a qualified electrician.

RF2500200

New version lamp holder

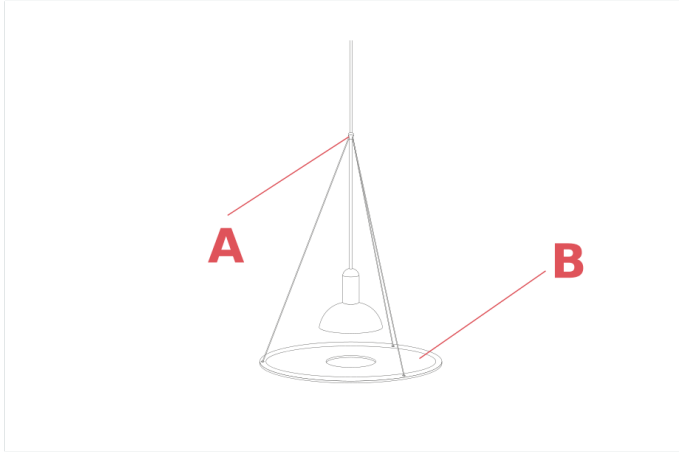


Fig.1

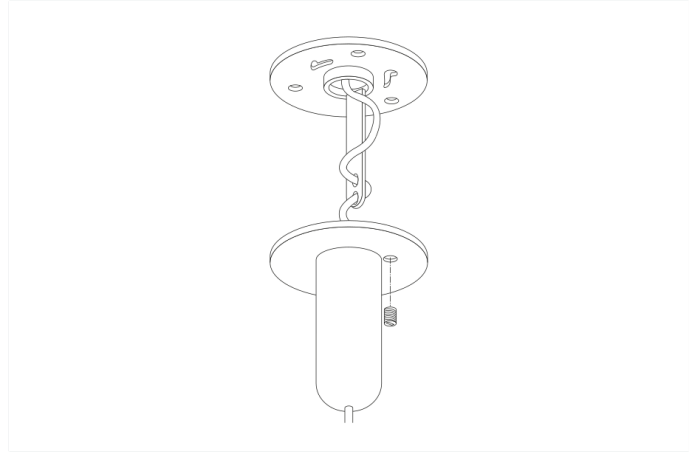


Fig.2

Remove the Plexiglas diffuser (B) by unhooking the steel suspension wires from the "tige" rod clamp (H). Unfasten the ceiling rose screw and then disconnect the lamp electrical wires from the electrical terminal box; **WARNING!!!** During this operation it is necessary to hold the "tige" rod and reflector with one hand to avoid causing damages towards people or objects.

WARNING! When installing and whenever acting on the appliance, ensure that the power supply has been switched off. For the installation of the spare-part, it is necessary to consult a qualified electrician.

RF2500200

New version lamp holder



Fig.3



Fig.4

Remove the electrical cable from the wall attachment and ceiling rose and then remove the reflector from the "tige" rod.

Unfasten the cable tightener screw present on the suspension cable clamp of the "tige" rod in a way to free the electrical cable from the rod assemble.

It is necessary to break the damaged lamp holder by utilizing a pair of pliers.

WARNING!!! Utilize a pair of gloves and a pair of safety glasses for this operation.

WARNING! When installing and whenever acting on the appliance, ensure that the power supply has been switched off.
For the installation of the spare-part, it is necessary to consult a qualified electrician.

RF2500200

New version lamp holder



Fig.5



Fig.6

Free the lamp holder support by unfastening the screw.
Remove the lamp holder support by unfastening the support with a pair of pliers
N.B. It is necessary to utilize a pair of pliers with long jaws for this operation.

WARNING! When installing and whenever acting on the appliance, ensure that the power supply has been switched off.
For the installation of the spare-part, it is necessary to consult a qualified electrician.

RF2500200

New version lamp holder



Fig.7

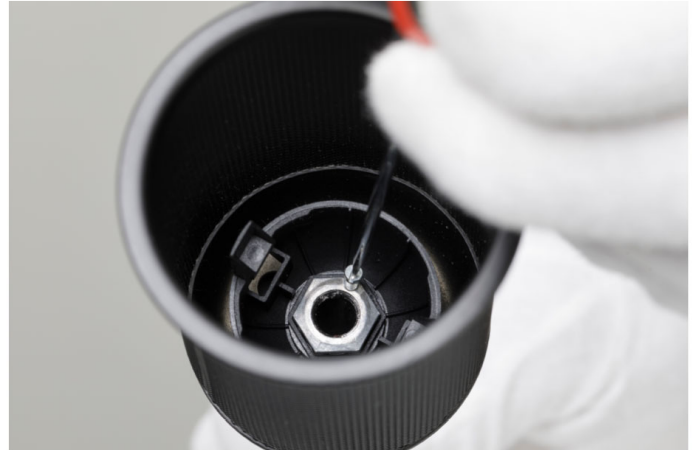


Fig.8

Assemble now the new spare-part:

To re-assemble the new lamp holder support, it is necessary to insert inside the hole, the electrical cable and then fasten (screw) the support back -on the "tige" rod.

Position properly the lamp holder support in a way that the screw corresponds with the threaded hole, once the screw is aligned with the threaded hole lock the support by tightening the screw.

WARNING! When installing and whenever acting on the appliance, ensure that the power supply has been switched off.
For the installation of the spare-part, it is necessary to consult a qualified electrician.

RF2500200

New version lamp holder

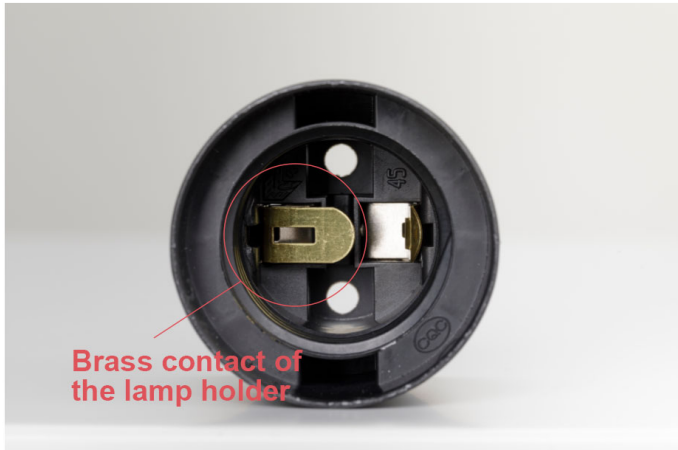


Fig.9



Fig.10



Fig.11

Connect the electrical wires of the lamp holder. Connect the Brown "L" (live) wire in the terminal that corresponds (opposite side) to the centre brass contact of the lamp holder and then connect the Blue "N" (neutral) wire in the other terminal.

N.B. The electrical wires are connected by pushing the wires inside the terminals, therefore it is necessary to verify that they are connected properly.

WARNING! When installing and whenever acting on the appliance, ensure that the power supply has been switched off. For the installation of the spare-part, it is necessary to consult a qualified electrician.

RF2500200

New version lamp holder



Fig.12



Fig.13

At this point lock the lamp holder to the support by pushing it against the 2 lateral hooks. The support has two lateral hooks. This allows the lamp holder to fix on the support.

Tighten back the screw of the cable tightener present on the top side of the "tige" rod.

Install the lamp back on to ceiling and verify the functioning of the appliance (refer to the installation sheet).

WARNING! When installing and whenever acting on the appliance, ensure that the power supply has been switched off.
For the installation of the spare-part, it is necessary to consult a qualified electrician.

RF2500200

New version lamp holder

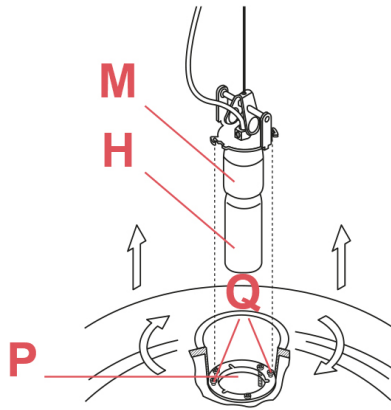


Fig.1

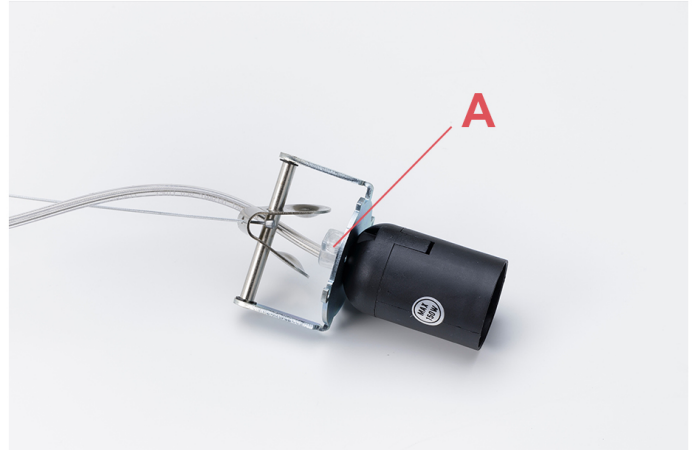


Fig.2

Remove the white glass diffuser.

It is necessary to ask somebody to hold the glass diffuser.

Loosen without removing the 2 screws (Q), unlock the lamp-holder assembly and the lamp-bulb (H) from the lamp holder (M).

Loosen without removing the screw of the cable clamp (A).

WARNING! When installing and whenever acting on the appliance, ensure that the power supply has been switched off.
For the installation of the spare-part, it is necessary to consult a qualified electrician.

RF2500200

New version lamp holder

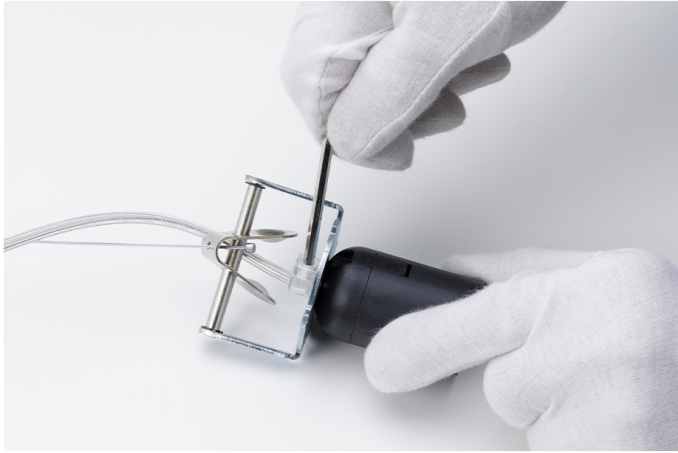


Fig.3

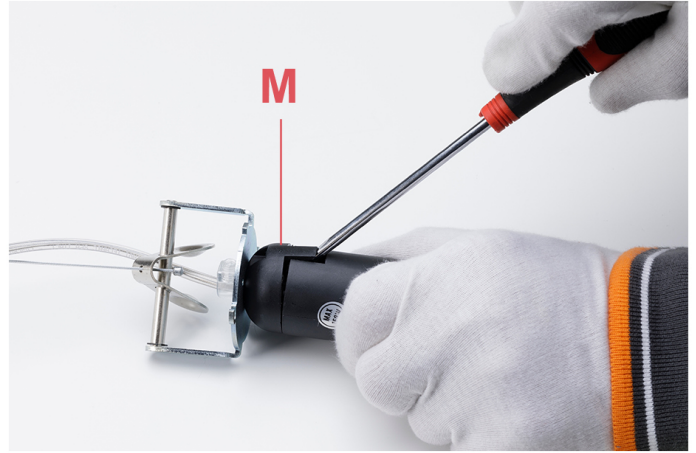


Fig.4

Remove the lamp holder.

Insert a flat headed screw driver inside the opening of the lateral clamp and unhook the lamp holder (M) from the support. Repeat the same operation also for the opposite side.

WARNING! When installing and whenever acting on the appliance, ensure that the power supply has been switched off. For the installation of the spare-part, it is necessary to consult a qualified electrician.

RF2500200

New version lamp holder

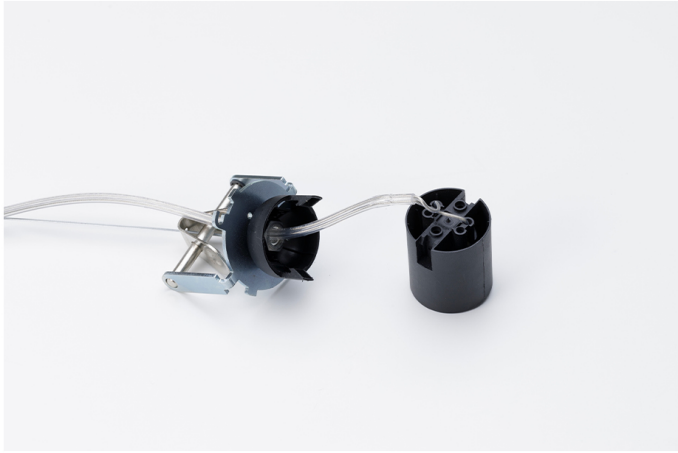


Fig.5

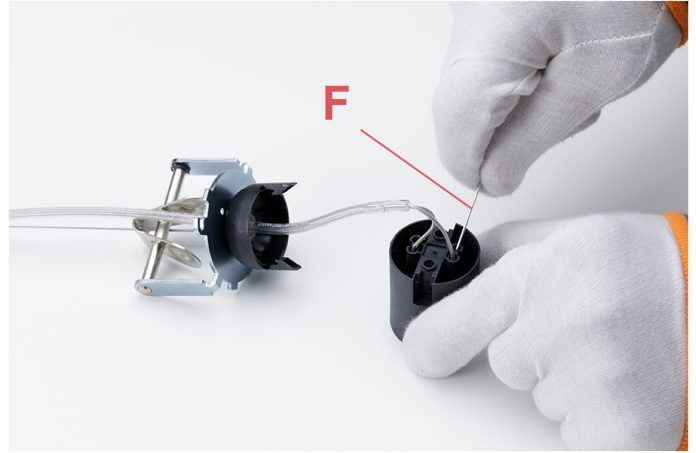


Fig.6

Remove the lamp holder from its support and disconnect the electrical wires by pressing the push terminals with a paper clip (F) or something similar.

WARNING! When installing and whenever acting on the appliance, ensure that the power supply has been switched off.
For the installation of the spare-part, it is necessary to consult a qualified electrician.

RF2500200

New version lamp holder

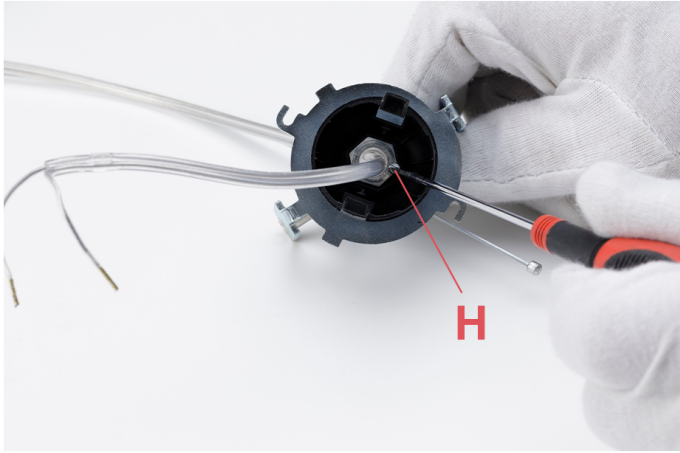


Fig.7



Fig.8

Unfasten the locking screw (H) by utilizing a tiny flat headed screw driver.
Remove the lamp holder support by unfastening it from the assembly.

WARNING! When installing and whenever acting on the appliance, ensure that the power supply has been switched off.
For the installation of the spare-part, it is necessary to consult a qualified electrician.

RF2500200

New version lamp holder



Fig.9

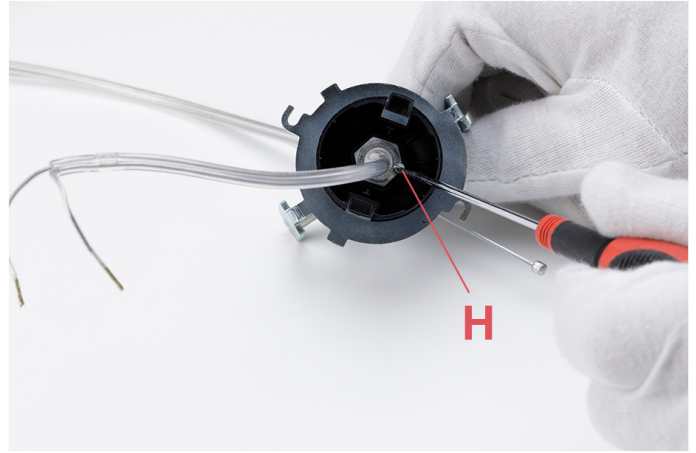


Fig.10

Assemble now the new spare-part:

Tighten the lamp holder support (I) onto the assembly and then fasten the locking screw (H) by utilizing a flat headed screw driver.

Insert the isolator (F).

Connect the electrical wires to the lamp holder by utilizing always the paper clip.

Connect the transparent Brown "L" (live) wire in the terminal that corresponds (opposite side) to the centre brass contact of the lamp holder and then connect the transparent Blue "N" (neutral) wire in the other terminal.

N.B. The electrical wires are connected by pushing the wires inside the terminals, therefore it is necessary to verify that they are connected properly.

WARNING! When installing and whenever acting on the appliance, ensure that the power supply has been switched off.
For the installation of the spare-part, it is necessary to consult a qualified electrician.

RF2500200

New version lamp holder

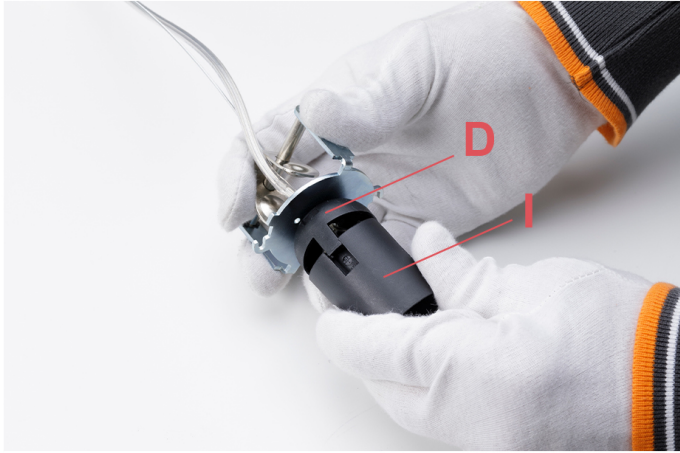


Fig.11

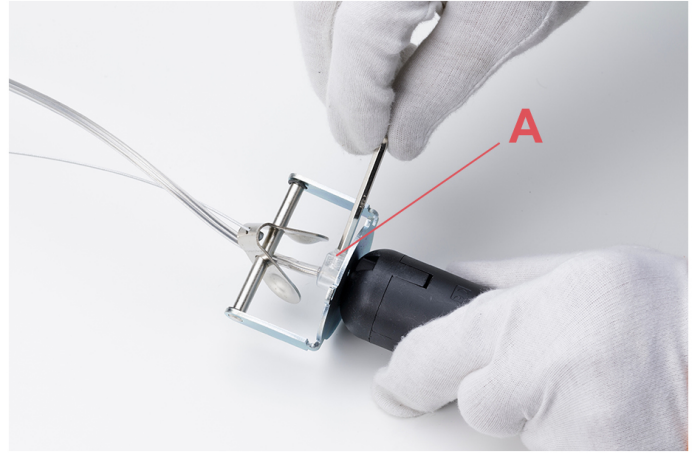


Fig.12

Hook the lamp holder (D) on the support (I).

Fasten the screw of the cable clamp (A).

Insert the lamp-bulb (H) into the lamp holder (M). Insert the lamp holder assembly with lamp-bulb in the diffuser opening (P), fasten the lamp holder assembly by tightening the screws (Q).(Fig.1 page 48)

WARNING! When installing and whenever acting on the appliance, ensure that the power supply has been switched off.
For the installation of the spare-part, it is necessary to consult a qualified electrician.

RF2500200

New version lamp holder



Fig.1



Fig.2

Remove the base cover (A) by turning the assembly upside down, insert a flat headed screw driver inside one of the openings and then force it to open.

WARNING! When installing and whenever acting on the appliance, ensure that the power supply has been switched off.
For the installation of the spare-part, it is necessary to consult a qualified electrician.

RF2500200

New version lamp holder

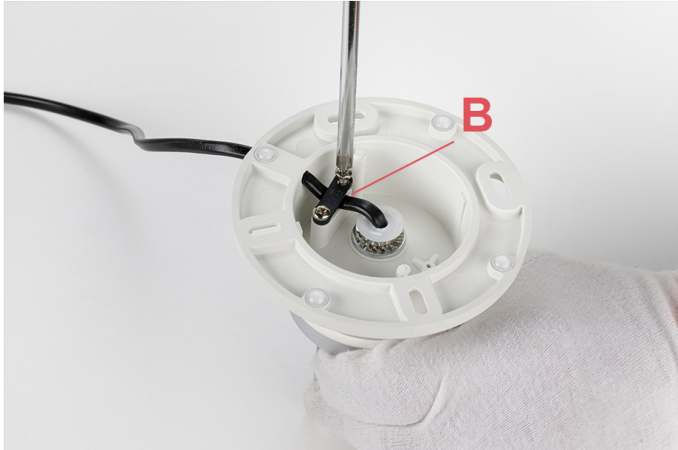


Fig.3



Fig.4

Remove the cable clamp (B) by unfastening the 2 screws.

Pull the electrical cable (C) in away that when removing the lamp holder you have some spare extension cable.
This operation is done for an easier removal of the lamp holder.

WARNING! When installing and whenever acting on the appliance, ensure that the power supply has been switched off.
For the installation of the spare-part, it is necessary to consult a qualified electrician.

RF2500200

New version lamp holder



Fig.5

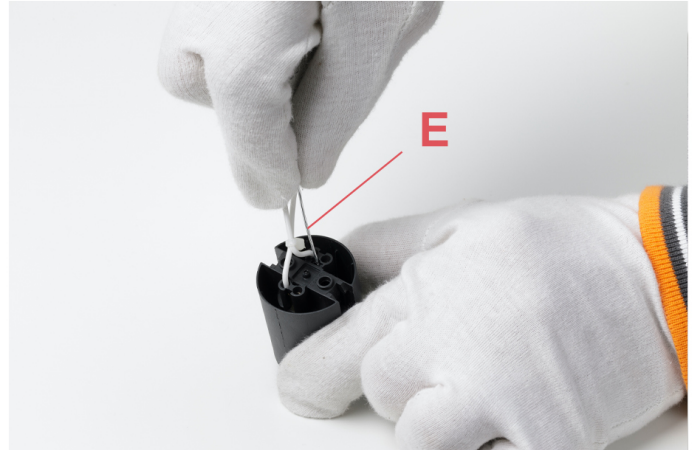


Fig.6

Turn the assembly around. Remove the lamp holder.
Insert a flat headed screw driver inside the opening of the lateral clamp and unhook the lamp holder (D) from the support. Repeat the same operation also for the opposite side.

Remove the lamp holder from its support and disconnect the electrical wires by pressing the push terminals with a paper clip (E) or something similar.

WARNING! When installing and whenever acting on the appliance, ensure that the power supply has been switched off.
For the installation of the spare-part, it is necessary to consult a qualified electrician.

RF2500200

New version lamp holder



Fig.7



Fig.8

Cut-off the cable tie (F) and remove the cable isolator (G) from the electrical cable.

WARNING! When installing and whenever acting on the appliance, ensure that the power supply has been switched off.
For the installation of the spare-part, it is necessary to consult a qualified electrician.

RF2500200

New version lamp holder



Fig.9



Fig.10

Unfasten the locking screw (H) by utilizing a tiny flat headed screw driver.
Remove the lamp holder support (I) by unfastening it from the assembly.

WARNING! When installing and whenever acting on the appliance, ensure that the power supply has been switched off.
For the installation of the spare-part, it is necessary to consult a qualified electrician.

RF2500200

New version lamp holder



Fig.11

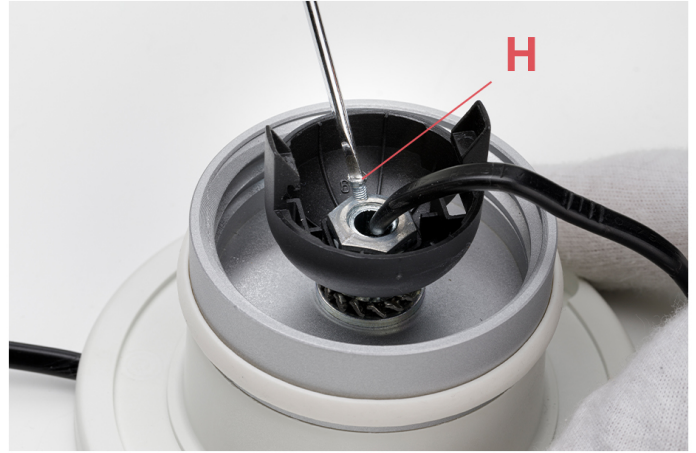


Fig.12



Fig.13

Assemble now the new spare-part:

Tighten the lamp holder support (I) onto the assembly and then fasten the locking screw (H) by utilizing a flat headed screw driver.
Insert the isolator (F).

WARNING! When installing and whenever acting on the appliance, ensure that the power supply has been switched off.
For the installation of the spare-part, it is necessary to consult a qualified electrician.

RF2500200

New version lamp holder

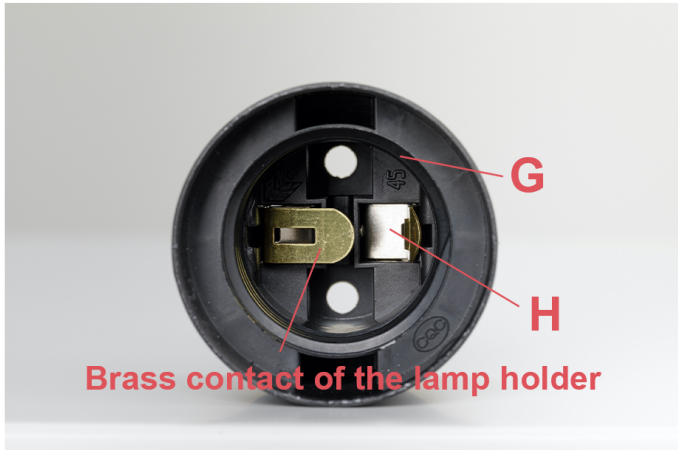


Fig.14



Fig.15

Connect the electrical wires to the lamp holder by utilizing always the paper clip.
Connect the Brown "L" (live) wire in the terminal that corresponds (opposite side) to the centre brass contact of the lamp holder and then connect the Blue "N" (neutral) wire in the other terminal.
N.B. The electrical wires are connected by pushing the wires inside the terminals, therefore it is necessary to verify that they are connected properly.

WARNING! When installing and whenever acting on the appliance, ensure that the power supply has been switched off.
For the installation of the spare-part, it is necessary to consult a qualified electrician.

RF2500200

New version lamp holder



Fig.16



Fig.17

Now reassembly the lamp:

Hook the lamp holder (D) on the support (I).

Turn up-side down the assembly around and pull back the electrical cable (C). (Fig.4 page 8)
Position the electrical cable between the two threaded holes and fix the cable clamp (B) by fastening the 2 screws. (Fig.3 page 8)

Position the cover base (A) on top of the assembly (the holes of the cover must correspond with the plastic pins of the assembly) and then push down on the cover so that it clicks onto the assembly. (Fig.2 page 7)

WARNING! When installing and whenever acting on the appliance, ensure that the power supply has been switched off.
For the installation of the spare-part, it is necessary to consult a qualified electrician.

RF2500200

New version lamp holder

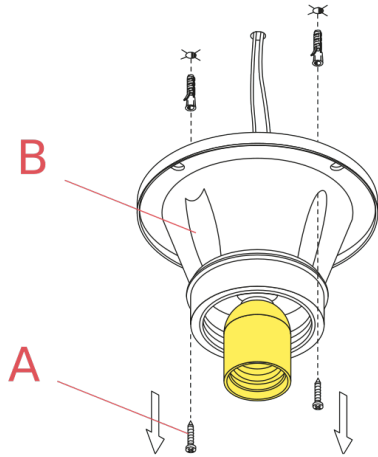


Fig.1

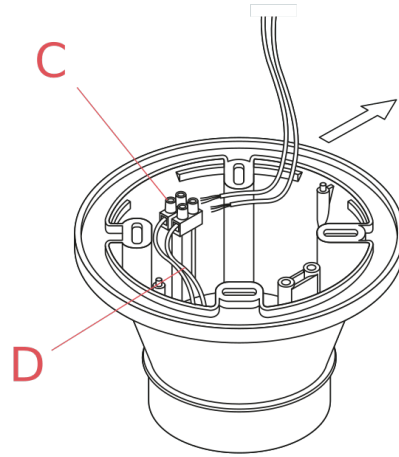


Fig.2

It is necessary to remove the lamp assembly (B) from the ceiling by unfasten the two fixing screws (A).

Cut-off the cable tie (D) and disconnect the wires from the terminal box (C).

WARNING! When installing and whenever acting on the appliance, ensure that the power supply has been switched off.
For the installation of the spare-part, it is necessary to consult a qualified electrician.

©2021 Flos - All rights reserved - www.flos.com
Flos reserves the right to introduce any changes to its own models, without prior notice.

RF2500200

New version lamp holder



Fig.3



Fig.4

Turn the assembly around.

Remove the lamp holder.

Insert a flat headed screw driver inside the opening of the lateral clamp and unhook the lamp holder (D) from the support. Repeat the same operation also for the opposite side.

Remove the lamp holder from its support and disconnect the electrical wires by pressing the push terminals with a paper clip (E) or something similar.

WARNING! When installing and whenever acting on the appliance, ensure that the power supply has been switched off. For the installation of the spare-part, it is necessary to consult a qualified electrician.

RF2500200

New version lamp holder



Fig.5

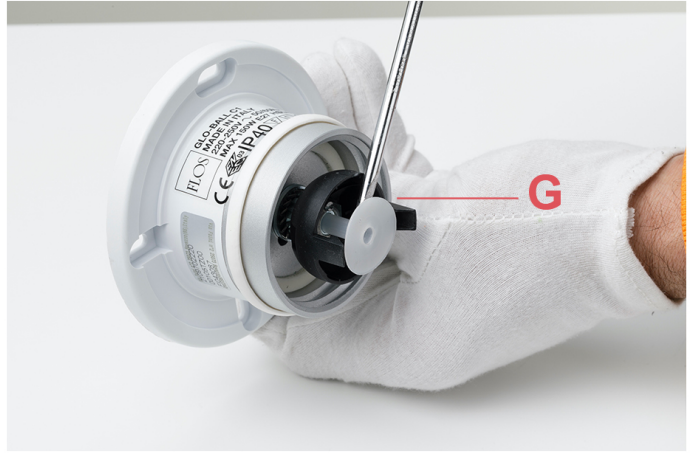


Fig.6

Cut-off the cable tie (F) and remove the cable isolator (G) from the electrical cable.

WARNING! When installing and whenever acting on the appliance, ensure that the power supply has been switched off.
For the installation of the spare-part, it is necessary to consult a qualified electrician.

RF2500200

New version lamp holder



Fig.7



Fig.8



Fig.9



Fig.10

Unfasten the locking screw (H) by utilizing a tiny flat headed screw driver.
Remove the lamp holder support (I) by unfastening it from the assembly.

Assemble now the new spare-part:

Tighten the lamp holder support (I) onto the assembly and then fasten the locking screw (H) by utilizing a flat headed screw driver.
Insert the isolator (F).

WARNING! When installing and whenever acting on the appliance, ensure that the power supply has been switched off.
For the installation of the spare-part, it is necessary to consult a qualified electrician.

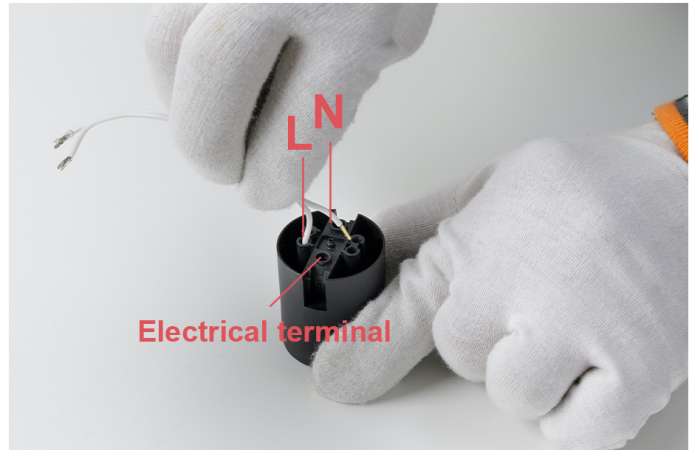
RF2500200

New version lamp holder



Brass contact of the lamp holder

Fig.11



Electrical terminal

Fig.12

Connect the electrical wires to the lamp holder by utilizing always the paper clip.
Connect the Brown "L" (live) wire in the terminal that corresponds (opposite side) to the centre brass contact of the lamp holder and then connect the Blue "N" (neutral) wire in the other terminal.

N.B. The electrical wires are connected by pushing the wires inside the terminals, therefore it is necessary to verify that they are connected properly.

Now reassembly the lamp:

Hook the lamp holder (D) on the support (I).

Turn the assembly around and connect the electrical wires to the terminal box (C). (Fig.2 page 23)

Fix the lamp assembly (B) by fastening the screws (B). (Fig.1 page 23)

WARNING! When installing and whenever acting on the appliance, ensure that the power supply has been switched off.
For the installation of the spare-part, it is necessary to consult a qualified electrician.