

RF25618

Pochette up/Down Body



WARNING! When installing and whenever acting on the appliance, ensure that the power supply has been switched off.
For the installation of the spare-part, it is necessary to consult a qualified electrician.

RF25618

Pochette up/Down Body

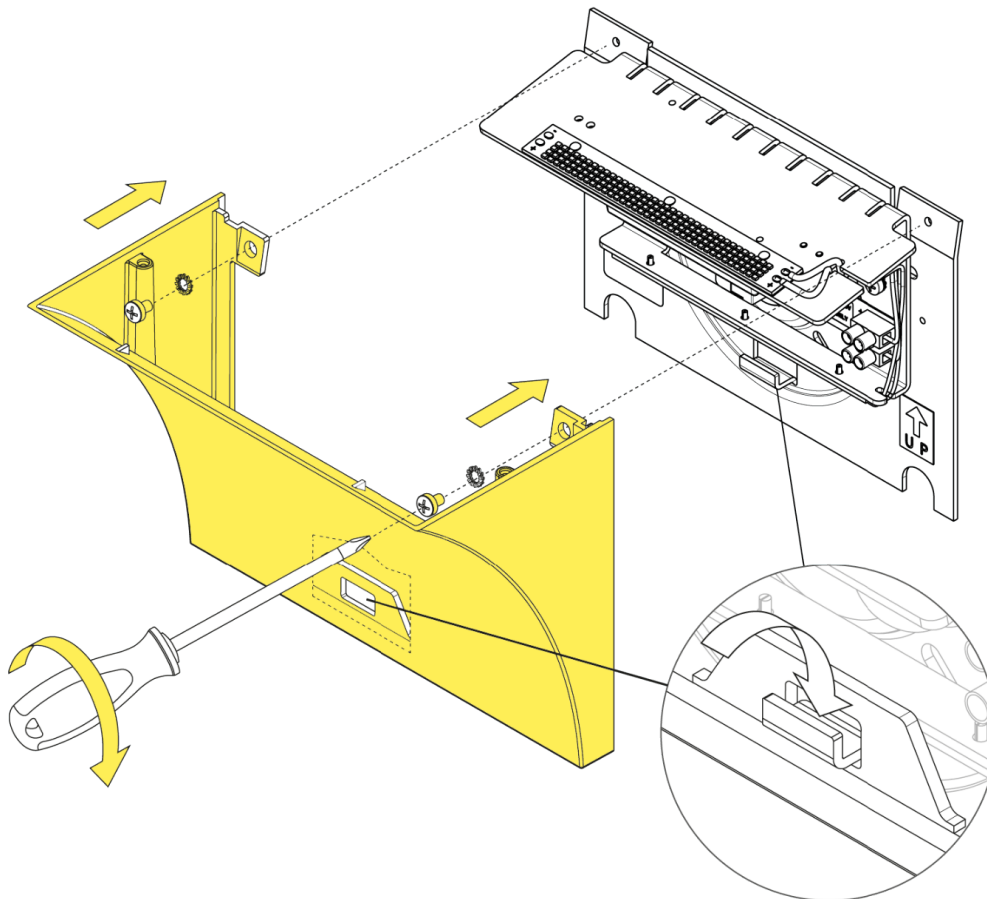


Fig.1

Install the lamp body (A) onto the wall attachment (C) and fasten the screws (B).

WARNING! When installing and whenever acting on the appliance, ensure that the power supply has been switched off. For the installation of the spare-part, it is necessary to consult a qualified electrician.