

RF05861

Stylos Polycarbonate spacer



WARNING! When installing and whenever acting on the appliance, ensure that the power supply has been switched off.
For the installation of the spare-part, it is necessary to consult a qualified electrician.

RF05861

Stylos Polycarbonate spacer

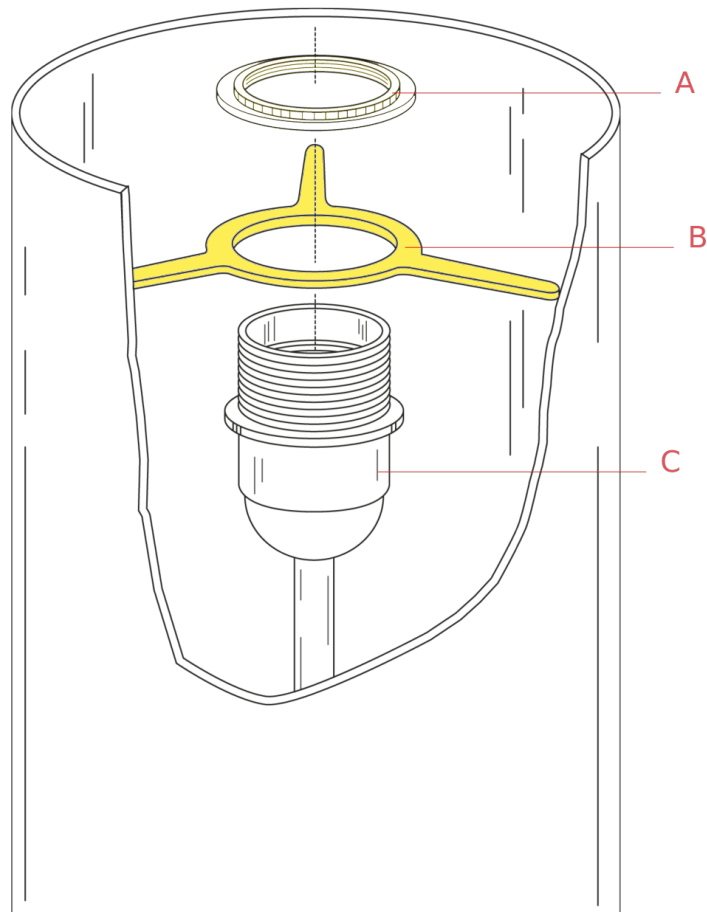


Fig.1

Remove the lamp bulb from the lamp holder.
Unfasten the ring nut (A) and remove the damaged spacer (B) from the upper lamp holder (C).

Assemble now the new spare-part:
Collocate the spacer (B) onto the upper lamp holder (C) and fasten the ring nut (A).
Install the bulb.

WARNING! When installing and whenever acting on the appliance, ensure that the power supply has been switched off.
For the installation of the spare-part, it is necessary to consult a qualified electrician.