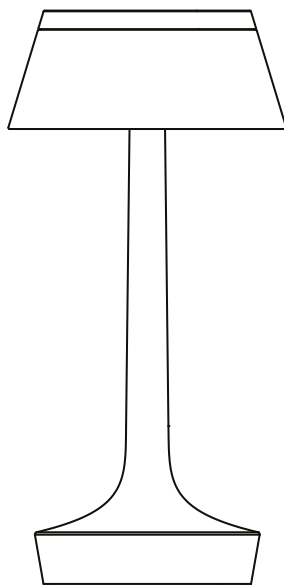


BON JOUR UNPLUGGED

Designed by Philippe Starck, 2015

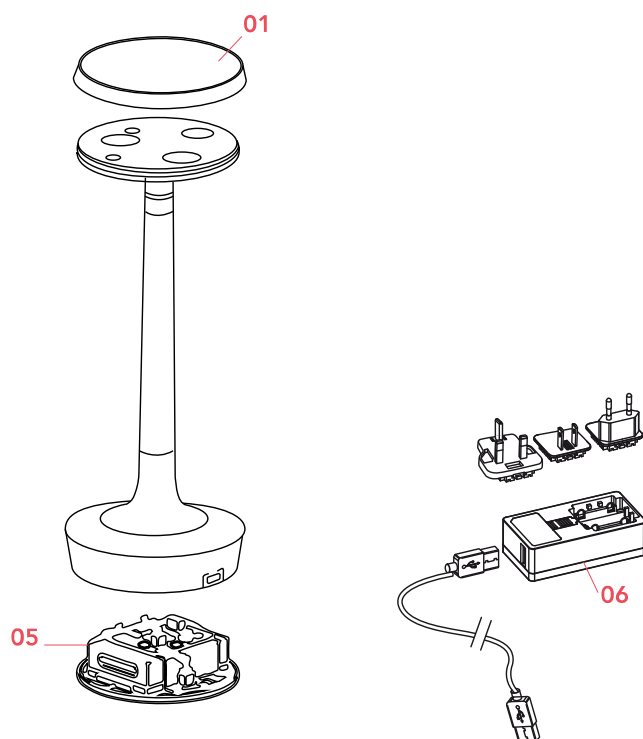
F1037015



BON JOUR UNPLUGGED

F1037015

EN



01. RF25461 – Top cover copper assembly

05. RF1037200 – Base assembly with NEW battery kit

06. RF1035109 – Power charger with electrical cable & plugs

BON JOUR UNPLUGGED
F1037015

EN

RF25461
TOP COVER COPPER ASSEMBLY



WARNING! When installing and whenever acting on the appliance, ensure that the power supply has been switched off.
For the installation of the spare-part, it is necessary to consult a qualified electrician.

©2021 Flos - All rights reserved - www.flos.com
Flos reserves the right to introduce any changes to its own models, without prior notice.

BON JOUR UNPLUGGED
F1037015

EN

RF25461

TOP COVER COPPER ASSEMBLY

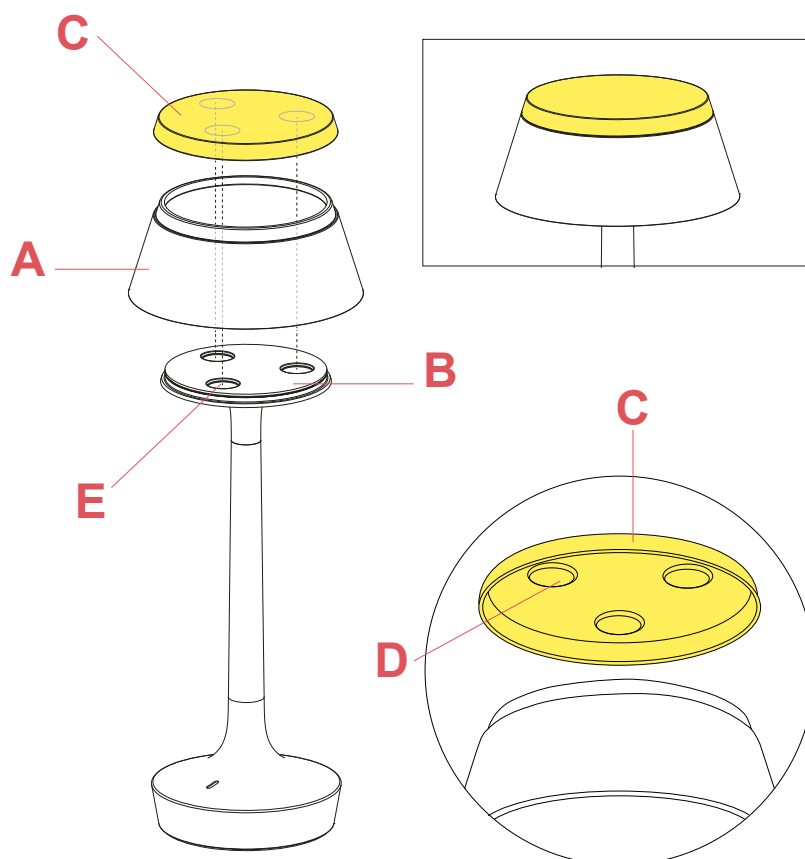


Fig.1

Support the lampshade (A) (Optional, not included) on the device body's profile (B); mount the TOP COVER (C) on the device body making sure you accurately position the three magnet disks (D) in their housings in the body (E) so that the TOP COVER (C) on completion of the assembly uniformly adheres to the body's profile.

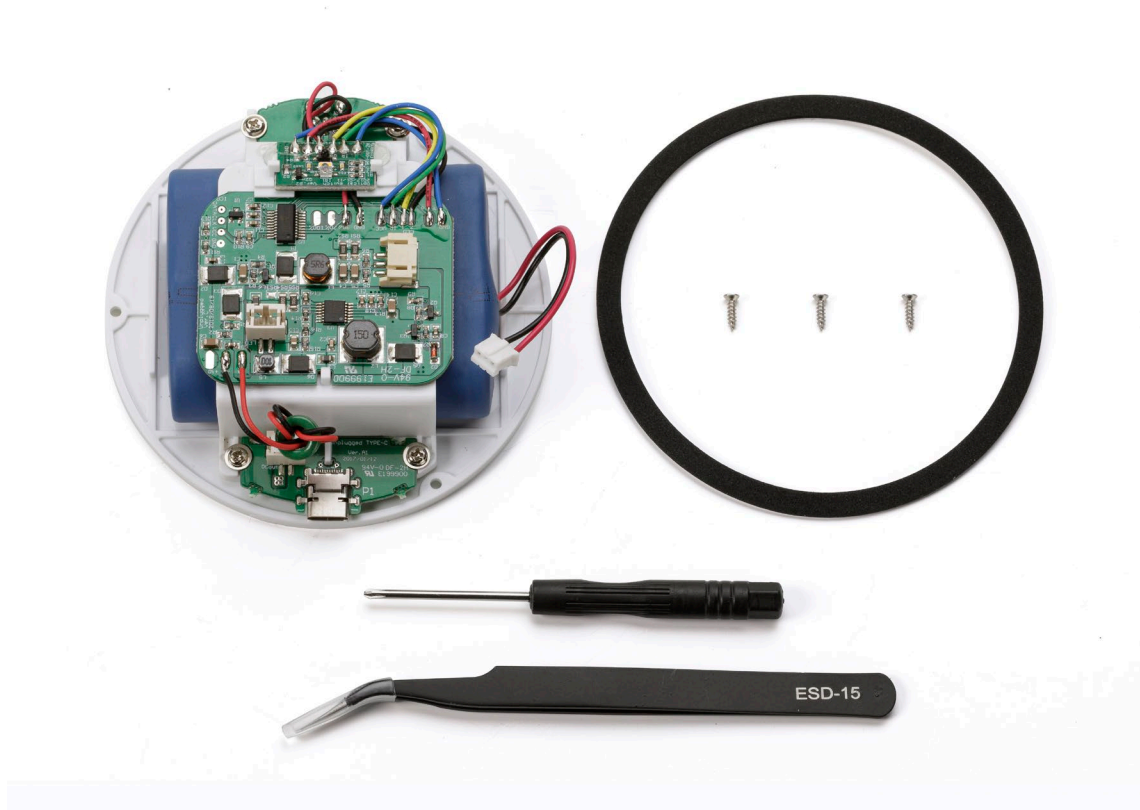
WARNING! When installing and whenever acting on the appliance, ensure that the power supply has been switched off. For the installation of the spare-part, it is necessary to consult a qualified electrician.

BON JOUR UNPLUGGED
F1037015

EN

RF1037200

BASE ASSEMBLY WITH NEW BATTERY KIT



WARNING! When installing and whenever acting on the appliance, ensure that the power supply has been switched off.
For the installation of the spare-part, it is necessary to consult a qualified electrician.

©2021 Flos - All rights reserved - www.flos.com
Flos reserves the right to introduce any changes to its own models, without prior notice.

BON JOUR UNPLUGGED
F1037015

EN

RF1037200

BASE ASSEMBLY WITH NEW BATTERY KIT

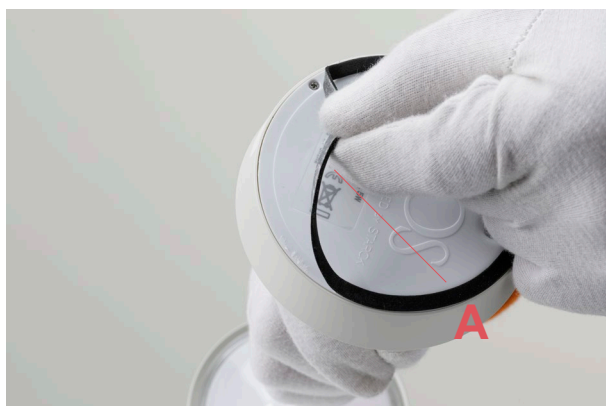


Fig.1

Remove the base assembly with battery kit:
It's necessary to remove the rubber pad (A) from underneath the lamp base.

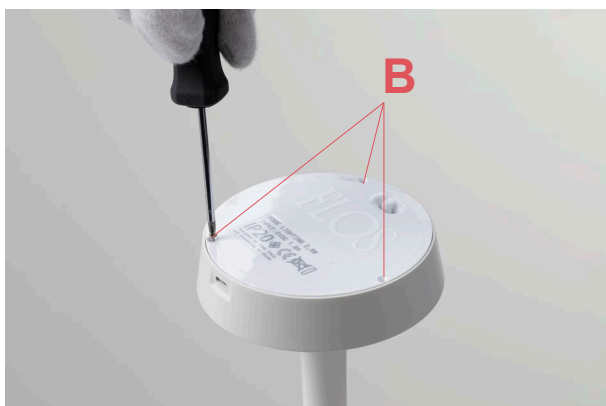


Fig.2

Unfasten the three fixing screws (B).

WARNING! When installing and whenever acting on the appliance, ensure that the power supply has been switched off.
For the installation of the spare-part, it is necessary to consult a qualified electrician.

BON JOUR UNPLUGGED
F1037015

EN

RF1037200

BASE ASSEMBLY WITH NEW BATTERY KIT

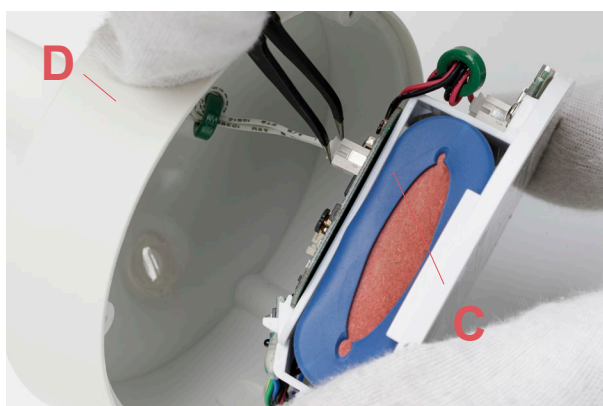


Fig.3

Remove the damaged base assembly with battery kit (C) from the lamp body (D).
Disconnect the connector (E) using a small clamp from the battery kit.



Fig.4

Assemble now the new spare-part:
Connect the connector (E) to the battery kit (C).

WARNING! When installing and whenever acting on the appliance, ensure that the power supply has been switched off.
For the installation of the spare-part, it is necessary to consult a qualified electrician.

BON JOUR UNPLUGGED
F1037015

EN

RF1037200

BASE ASSEMBLY WITH NEW BATTERY KIT

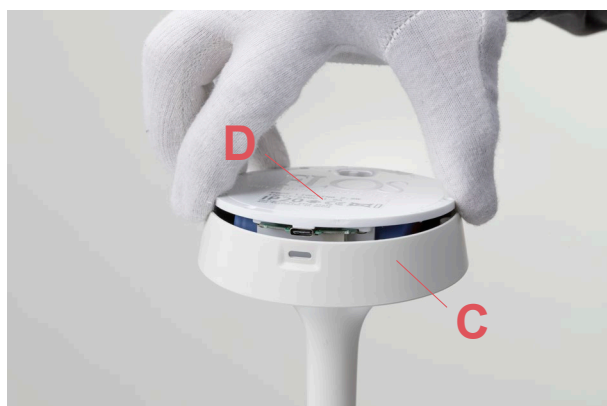


Fig.5

Assemble the base the new battery kit (C) to the lamp body (D).

Remarks!!! ensure that the USB port is in correspondence with the opening slot of the lamp body.

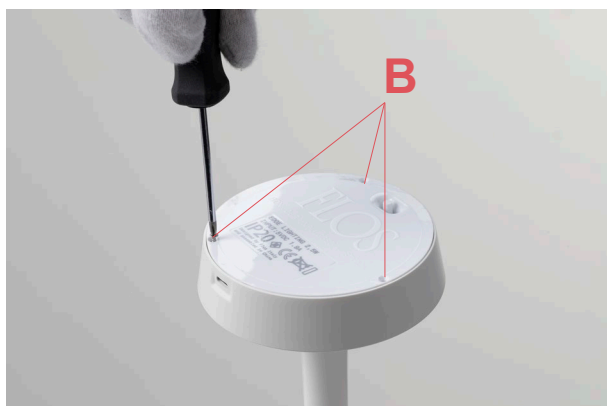


Fig.6

Fasten the three fixing screws (B).

WARNING! When installing and whenever acting on the appliance, ensure that the power supply has been switched off. For the installation of the spare-part, it is necessary to consult a qualified electrician.

BON JOUR UNPLUGGED
F1037015

EN

RF1037200

BASE ASSEMBLY WITH NEW BATTERY KIT



Fig.7



Fig.8

Apply the new rubber pad (A) underneath the lamp base.

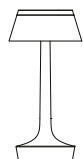
WARNING! When installing and whenever acting on the appliance, ensure that the power supply has been switched off. For the installation of the spare-part, it is necessary to consult a qualified electrician.

BON JOUR UNPLUGGED
F1037015

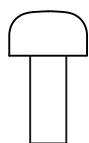
EN

RF1035109

POWER CHARGER WITH ELECTRICAL CABLE & PLUGS



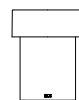
Bon Jour
Unplugged
p.10



Bellhop
Battery
p.03



Last Order
Clear
p.09



Last Order
Fluted
p.09

WARNING! When installing and whenever acting on the appliance, ensure that the power supply has been switched off.
For the installation of the spare-part, it is necessary to consult a qualified electrician.

BON JOUR UNPLUGGED
F1037015

EN

RF1035109

POWER CHARGER WITH ELECTRICAL CABLE & PLUGS

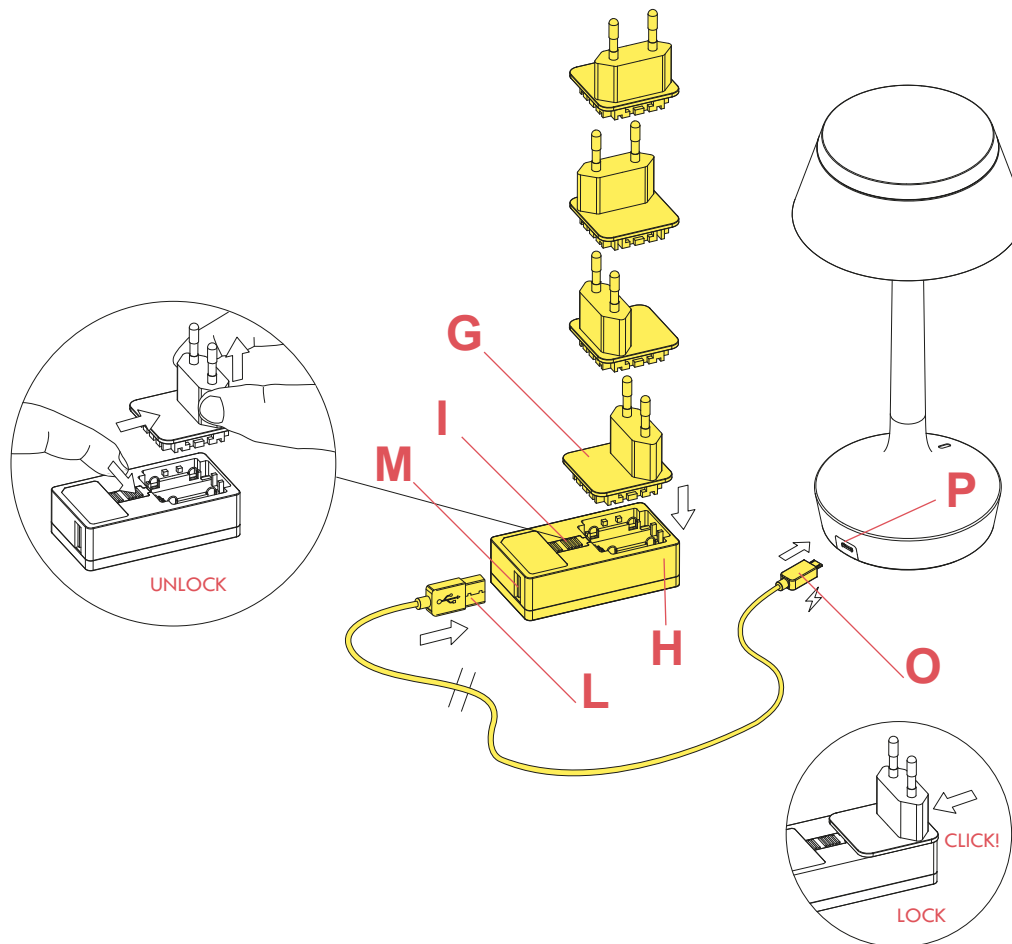


Fig.1

RECHARGING THE BATTERY. Insert the plug (G) in the power adaptor (H) in the preferred working position (the plug can be inserted in any side of the power adaptor block) until you hear the snap-in click (use the correct type of plug for the country the lamp is installed in); to remove the plug press the power adaptor's push button (I). Insert the USB plug (L) of the cable provided in its housing (M) on the power adaptor then insert the micro-USB plug (O) into the lamp's connector (P). The complete recharging time is 3 hours. With the lamp turned on to 100% of the light intensity, the operating autonomy without cable is 6 hours; after 6 hours the light intensity automatically reduces by 20% and the lamp signals the need for recharge with three flashes which will be repeated every 10 minutes until it is put on charge. **NOTE:** This product includes a self-protection system. If it remains connected to the power source for more than the indicated charging time, the service life of the battery will not be affected (1000 charging cycles guaranteed).

WARNING! When installing and whenever acting on the appliance, ensure that the power supply has been switched off.
For the installation of the spare-part, it is necessary to consult a qualified electrician.